

CMX909B

GMSK Packet-Data Modem

The CMX909B is a half-duplex Gaussian Minimum Shift Keyed (GMSK) BT = 0.3 modem data pump with on-chip packet data handling. GMSK modulation optimises data throughput for a given bandwidth/RF channel and packet data handling relieves the host μC of regular processing tasks such as data interleaving and scrambling.

The demodulator uses decision feedback equalisation techniques to reduce channel distortion effects and enhance receiver performance. The CMX909B is pin, function and software backwards compatible and uses the same external components as the FX909A and MX909A modems.

It offers improved performance, higher data rates and lower voltage operation, as well as handling the recent R14N extension to Mobitex for short block frames.

Features

- GMSK modulation
- Rx and Tx modes up to 38.4kb/s
- Full data packet framing
- Full 'Mobitex' compatibility including R14N short-block frames
- Data carrier detect
- Checksum generation and checking
- Two-level Xtal drive circuit
- Flexible operating modes
- Host processor interface

Applications

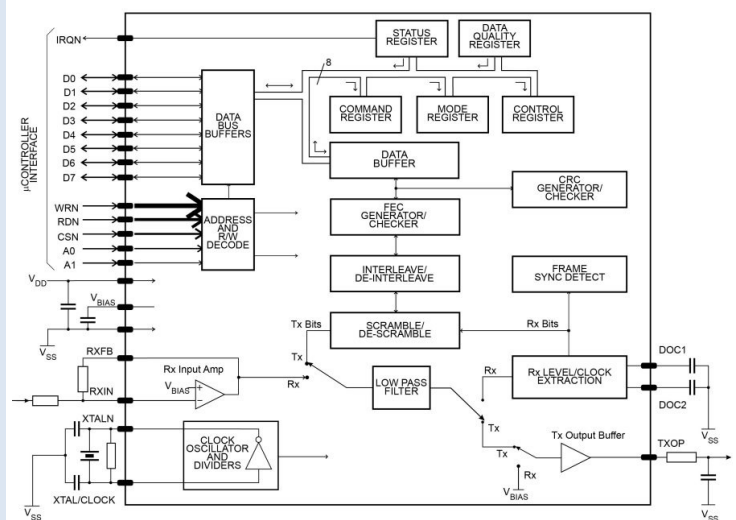
- 'Mobitex' base, mobile and portable terminals
- Wireless telemetry
- License-free radio data
- ISM-band radio schemes

Supply Requirement

- 2.7 to 5.5V

The CMX909B offers 2-strength Xtal driver circuitry—for wider choice of Xtals, optional zero or one-error frame sync detection, multiple powersave options—for intelligent power management and availability in 24-pin TSSOP, SSOP and PDIP package options.

The modem is ideal for wireless data applications such as Mobitex terminals, wireless telemetry, licence-free radio data and ISM band radio schemes.



CMX909B Block Diagram



Click here to view the online

**PRODUCT
DATA RESOURCE**

WHAT TO DO NEXT

Visit: www.cmlmicro.com

Find: [Distributor](#)

CML Microcircuits Benefits

Faster time to market

Developing proven high performance and field tested ASSP ICs, CML is helping engineers to cope with increasing pressure in delivering shorter project design cycles.

Design flexibility

CML's *FirmASIC*[®] reconfigurable technology with the use of a Function Image upload enables a single hardware platform to be used for multiple communications systems.

High Quality

With 100% of products being tested before shipping, customers are assured of the highest reliability.

Product Longevity

Designing with CML products, manufacturers are rewarded with longer product life cycles and a stable BOM, ensuring minimum engineering costs and maximum profit.

Low Power

Being at the forefront of low power chip technology, manufacturers can develop smaller equipment with extended battery life.

Superior Support

Internal and field based applications teams worldwide provide focused customer support to ease the development process.

www.cmlmicro.com

United Kingdom
United States
Singapore

Tel: +44 (0) 1621 875500
Tel: +1 336 744 5050
Tel: +65 62888129

email: sales@cmlmicro.com
email: us.sales@cmlmicro.com
email: sg.sales@cmlmicro.com