

## ADVANCED PFC + BALLAST CONTROL IC

### Features

- PFC, ballast control and 600 V half-bridge driver in one IC
- Critical-conduction mode boost-type PFC
- Programmable PFC over-current protection
- Programmable half-bridge over-current protection
- Programmable preheat frequency
- Programmable preheat time
- Programmable ignition ramp
- Programmable run frequency
- Closed-loop ignition current regulation
- RoHS compliant
- Fixed internal 1.6  $\mu$ s HO and LO deadtime
- Voltage-controlled oscillator (VCO)
- End-of-life window comparator pin
- Internal 65-event current sense up/down fault counter
- DC bus undervoltage reset
- Lamp removal/auto-restart shutdown pin
- Internal bootstrap MOSFET
- Internal 15.6 V Zener clamp diode on  $V_{CC}$
- Micropower startup (250  $\mu$ A)
- Latch immunity and ESD protection

### Description

The IRS2168D is a fully integrated, fully protected 600 V ballast control IC designed to drive all types of fluorescent lamps. The IRS2168D is based on the popular IR2166 control IC with additional improvements to increase ballast performance. The PFC circuitry operates in critical conduction mode and provides high PF, low THD and DC bus regulation. The IRS2168D features include programmable preheat and run frequencies, programmable preheat time, programmable PFC over-current protection, closed-loop half-bridge ignition current regulation, and programmable end-of-life protection. Comprehensive protection features such as protection from failure of a lamp to strike, filament failures, end-of-life protection, DC bus undervoltage reset as well as an automatic restart function, have been included in the design.

### System Features

- One-chip ballast control solution
- Wide range PFC for universal input and multi-lamp ballasts
- Ultra low THD
- Closed-loop ignition regulation for reliable lamp ignition
- End-of-Life window comparator with internal OTA
- Lamp removal/auto-restart function
- Fault counter for robust noise immunity
- Brown-out protection and reset
- Internal bootstrap MOSFET

### Packages

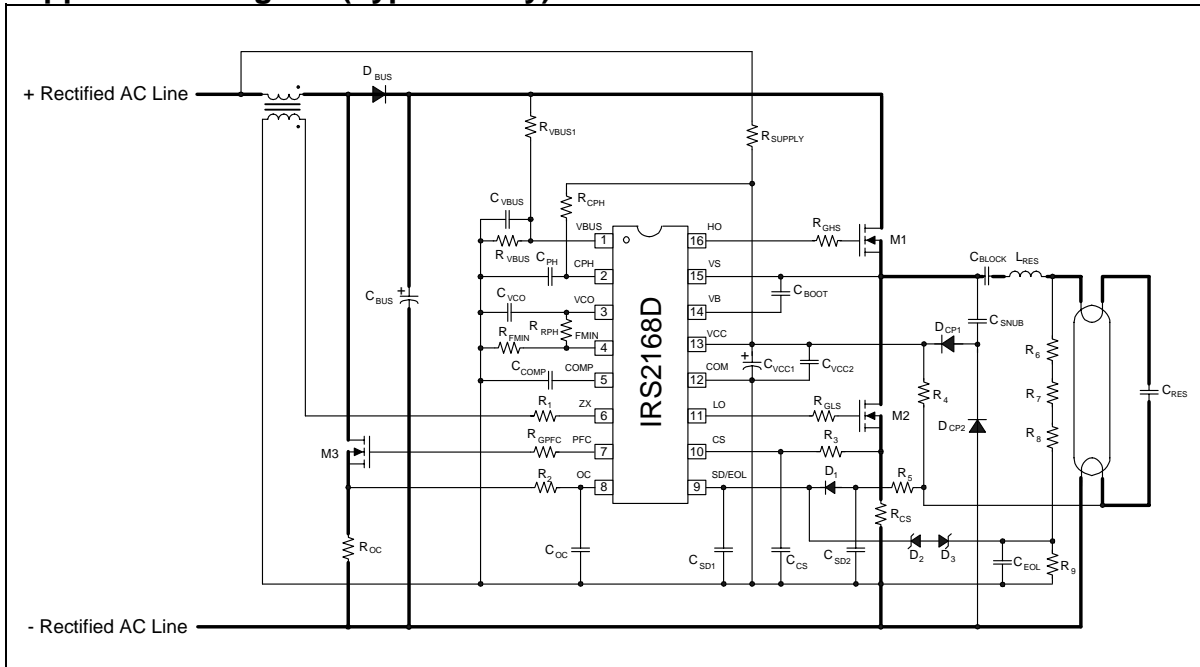


16-Lead PDIP  
IRS2168DPbF



16-Lead SOIC  
IRS2168DSPbF

### Application Diagram (Typical Only)



\* Please note that this datasheet contains advanced information that could change before the product is released to production.

### Absolute Maximum Ratings

Absolute maximum ratings indicate sustained limits beyond which damage to the device may occur. All voltage parameters are absolute voltages referenced to COM, all currents are defined positive into any lead. The thermal resistance and power dissipation ratings are measured under board mounted and still air conditions.

Symbol	Definition	Min.	Max.	Units	
$V_B$	$V_B$ pin high-side floating supply voltage	-0.3	625	V	
$V_S$	$V_S$ pin high-side floating supply offset voltage	$V_B - 25$	$V_B + 0.3$		
$V_{HO}$	HO pin high-side floating output voltage	$V_S - 0.3$	$V_B + 0.3$		
$V_{LO}$	LO pin low-side output voltage	-0.3	$V_{CC} + 0.3$		
$V_{PFC}$	PFC gate driver output voltage				
$I_{O,MAX}$	Maximum allowable output current (HO, LO, PFC) due to external power transistor miller effect	-500	500	mA	
$I_{CC}$	$V_{CC}$ current (see Note 1)	-25	25		
$V_{BUS}$	VBUS pin voltage			V	
$V_{CPH}$	CPH pin voltage				
$V_{COMP}$	COMP pin voltage				
$V_{ZX}$	ZX pin voltage	-0.3	$V_{CC} + 0.3$		
$V_{OC}$	OC pin voltage				
$V_{SD/EOL}$	SD/EOL pin voltage				
$V_{CS}$	CS pin voltage				
$V_{VCO}$	VCO pin voltage	-0.3	6	V	
$I_{CPH}$	CPH pin current			mA	
$I_{VCO}$	VCO pin current				
$I_{FMIN}$	FMIN pin current				
$I_{COMP}$	COMP pin current	-5	5		
$I_{ZX}$	ZX pin current				
$I_{OC}$	OC pin current				
$I_{SD/EOL}$	SD/EOL pin current				
$I_{CS}$	CS pin current				
dV/dt	Allowable $V_S$ pin offset voltage slew rate	-50	50	V/ns	
$P_D$	Package power dissipation @ $T_A \leq +25^\circ\text{C}$ $PD = (T_{JMAX} - T_A) / R_{\theta JA}$	(16-Pin DIP)	---	1.8	W
		(16-Pin SOIC)	---	1.4	
$R_{\theta JA}$	Thermal resistance, junction to ambient	(16-Pin DIP)	---	70	$^\circ\text{C/W}$
		(16-Pin SOIC)	---	86	
$T_J$	Junction temperature	-55	150	$^\circ\text{C}$	
$T_S$	Storage temperature	-55	150		
$T_L$	Lead temperature (soldering, 10 seconds)	---	300		

Note 1: This IC contains a Zener clamp structure between the chip  $V_{CC}$  and COM which has a nominal breakdown voltage of 15.6 V. This supply pin should not be driven by a DC, low impedance power source greater than the  $V_{CLAMP}$  specified in the Electrical Characteristics section.

## Recommended Operating Conditions

For proper operation the device should be used within the recommended conditions.

Symbol	Definition	Min.	Max.	Units
$V_B-V_S$	High-side floating supply voltage	$V_{BSUV+}$	$V_{CLAMP}$	V
$V_S$	Steady state high-side floating supply offset voltage	-1	600	
$V_{CC}$	Supply voltage	$V_{CCUV+}$	$V_{CLAMP}$	mA
$I_{CC}$	$V_{CC}$ supply current	Note 2	10	
$I_{SD/EOL}$	SD/EOL pin current	-1	1	
$I_{CS}$	CS pin current			
$I_{OC}$	OC pin current			
$I_{ZX}$	ZX pin current			
$V_{VCO}$	VCO pin voltage	0	5	V
$R_{FMIN}$	FMIN pin programming resistor	10	300	k $\Omega$
$T_J$	Junction temperature	-25	125	$^{\circ}\text{C}$

Note 2: Enough current should be supplied into the  $V_{CC}$  pin to keep the internal 15.6 V Zener clamp diode on this pin regulated at its voltage,  $V_{CLAMP}$ .

## Electrical Characteristics

$V_{CC} = V_{BS} = V_{BIAS} = 14 \text{ V} \pm 0.25 \text{ V}$ ,  $C_{LO} = C_{HO} = C_{PFC} = 1000 \text{ pF}$ ,  $R_{FMIN} = 42.2 \text{ k}\Omega$ ,  $R_{PH} = \text{N/C}$ ,  $V_{CPH} = V_{VCO} = 0 \text{ V}$ ,  
 $V_{SD/EOL} = V_{COMP} = V_{CS} = V_{OC} = V_{BUS} = V_{ZX} = 0 \text{ V}$ ,  $T_A = 25 \text{ }^{\circ}\text{C}$  unless otherwise specified.

Symbol	Definition	Min	Typ	Max	Units	Test Conditions
<b>Supply Characteristics</b>						
$V_{CCUV+}$	$V_{CC}$ supply undervoltage positive going threshold	11.5	12.5	13.5	V	$V_{CC}$ rising from 0 V
$V_{CCUV-}$	$V_{CC}$ supply undervoltage negative going threshold	9.5	10.5	11.5		$V_{CC}$ falling from 14 V
$V_{UVHYS}$	$V_{CC}$ supply undervoltage lockout hysteresis	1.5	2.0	3.0		
$I_{QCCUV}$	UVLO mode $V_{CC}$ quiescent current	---	220	320	$\mu\text{A}$	$V_{CC} = 8 \text{ V}$
$I_{QCCFLT}$	$V_{CC}$ quiescent current in fault mode	---	0.4	---	mA	MODE=FAULT
$I_{CCRUN}$	Run mode $V_{CC}$ supply current	---	5.5	7.2		MODE = RUN $V_{BUS} = 4 \text{ V}$ CSD/EOL = 1 nF PFC off time = 5 $\mu\text{s}$
$V_{CLAMP}$	$V_{CC}$ Zener clamp voltage	14.6	15.6	16.6	V	$I_{CC} = 10 \text{ mA}$
<b>Floating Supply Characteristics</b>						
$I_{BS}$	$V_{BS}$ supply current	---	0.9	1.3	mA	MODE=PREHEAT
$V_{BSUV+}$	$V_{BS}$ supply undervoltage positive going threshold	8.0	9.0	10.0	V	$V_{BS}$ rising from 0 V
$V_{BSUV-}$	$V_{BS}$ supply undervoltage negative going threshold	7.0	8.0	9.0		$V_{BS}$ falling from 14 V
$I_{LKVS}$	$V_S$ offset supply leakage current	---	---	50	$\mu\text{A}$	$V_B = V_S = 600 \text{ V}$

**Electrical Characteristics (cont'd)**

$V_{CC} = V_{BS} = V_{BIAS} = 14\text{ V} \pm 0.25\text{ V}$ ,  $C_{LO} = C_{HO} = C_{PFC} = 1000\text{ pF}$ ,  $R_{FMIN} = 42.2\text{ k}\Omega$ ,  $R_{PH} = N/C$ ,  $V_{CPH} = V_{VCO} = 0\text{ V}$ ,  
 $V_{SD/EOL} = V_{COMP} = V_{CS} = V_{OC} = V_{BUS} = V_{ZX} = 0\text{ V}$ ,  $T_A = 25\text{ }^\circ\text{C}$  unless otherwise specified.

Symbol	Definition	Min	Typ	Max	Units	Test Conditions
<b>PFC Error Amplifier Characteristics</b>						
$I_{COMP, SOURCE}$	COMP pin OTA error amplifier output current Sourcing	20	30	40	$\mu\text{A}$	MODE = RUN $V_{BUS} = 3.5\text{ V}$ $V_{COMP} = 4.0\text{ V}$
$I_{COMP, SINK}$	COMP pin OTA error amplifier output current Sinking	-40	-30	-20		MODE = RUN $V_{BUS} = 4.5\text{ V}$ $V_{COMP} = 4.0\text{ V}$
$V_{COMPOH}$	OTA error amplifier output voltage swing (high state)	12.0	12.5	13.0	V	$V_{BUS} = 3.5\text{ V}$ $I_{COMP} = I_{COMP, SOURCE} - 5\text{ }\mu\text{A}$
$V_{COMPOL}$	OTA error amplifier output voltage swing (low state)	0.2	0.4	0.5		$V_{BUS} = 5.0\text{ V}$ $I_{COMP} = I_{COMP, SINK} + 5\text{ }\mu\text{A}$
$V_{COMPFLT}$	OTA error amplifier output voltage in fault mode	---	0	---		$V_{BUS} = 4.0\text{ V}$
<b>PFC Control Characteristics</b>						
$V_{VBUSREG}$	$V_{BUS}$ internal reference voltage	3.9	4.0	4.1	V	$V_{COMP} = 4.0\text{ V}$
$V_{VBUSOV}$	$V_{BUS}$ overvoltage comparator threshold	4.1	4.3	4.5		
$V_{VBUSOV-}$	$V_{BUS}$ overvoltage fault reset threshold	4.0	4.15	4.3		
$V_{ZX}$	ZX pin threshold voltage	1.8	2.0	2.2	mV	
$V_{ZXHYS}$	ZX pin comparator hysteresis	100	300	500		
$V_{ZXclamp}$	ZX pin clamp voltage (high state)	5.5	6.5	7.5	V	$I_{ZX} = 1\text{ mA}$
$t_{BLANK}$	OC pin current-sensing blank time	---	300	---	ns	$V_{BUS} = 4.0\text{ V}$ $V_{COMP} = 4.0\text{ V}$
$t_{WD}$	PFC watch-dog pulse interval	150	400	500	$\mu\text{s}$	$ZX = 0$ , $V_{COMP} = 4.0\text{ V}$
<b>PFC Protection Circuitry Characteristics</b>						
$V_{VBUSUV-}$	$V_{BUS}$ pin undervoltage reset threshold	2.7	3.0	3.3	V	$V_{BUS} = V_{COMP} = 4.0\text{ V}$
$V_{OCTH+}$	OC pin over-current sense threshold	1.1	1.2	1.3		

**Electrical Characteristics (cont'd)**

$V_{CC} = V_{BS} = V_{BIAS} = 14\text{ V} \pm 0.25\text{ V}$ ,  $C_{LO} = C_{HO} = C_{PFC} = 1000\text{ pF}$ ,  $R_{FMIN} = 42.2\text{ k}\Omega$ ,  $R_{PH} = N/C$ ,  $V_{CPH} = V_{VCO} = 0\text{ V}$ ,  
 $V_{SD/EOL} = V_{COMP} = V_{CS} = V_{OC} = V_{BUS} = V_{ZX} = 0\text{ V}$ ,  $T_A = 25\text{ }^\circ\text{C}$  unless otherwise specified.

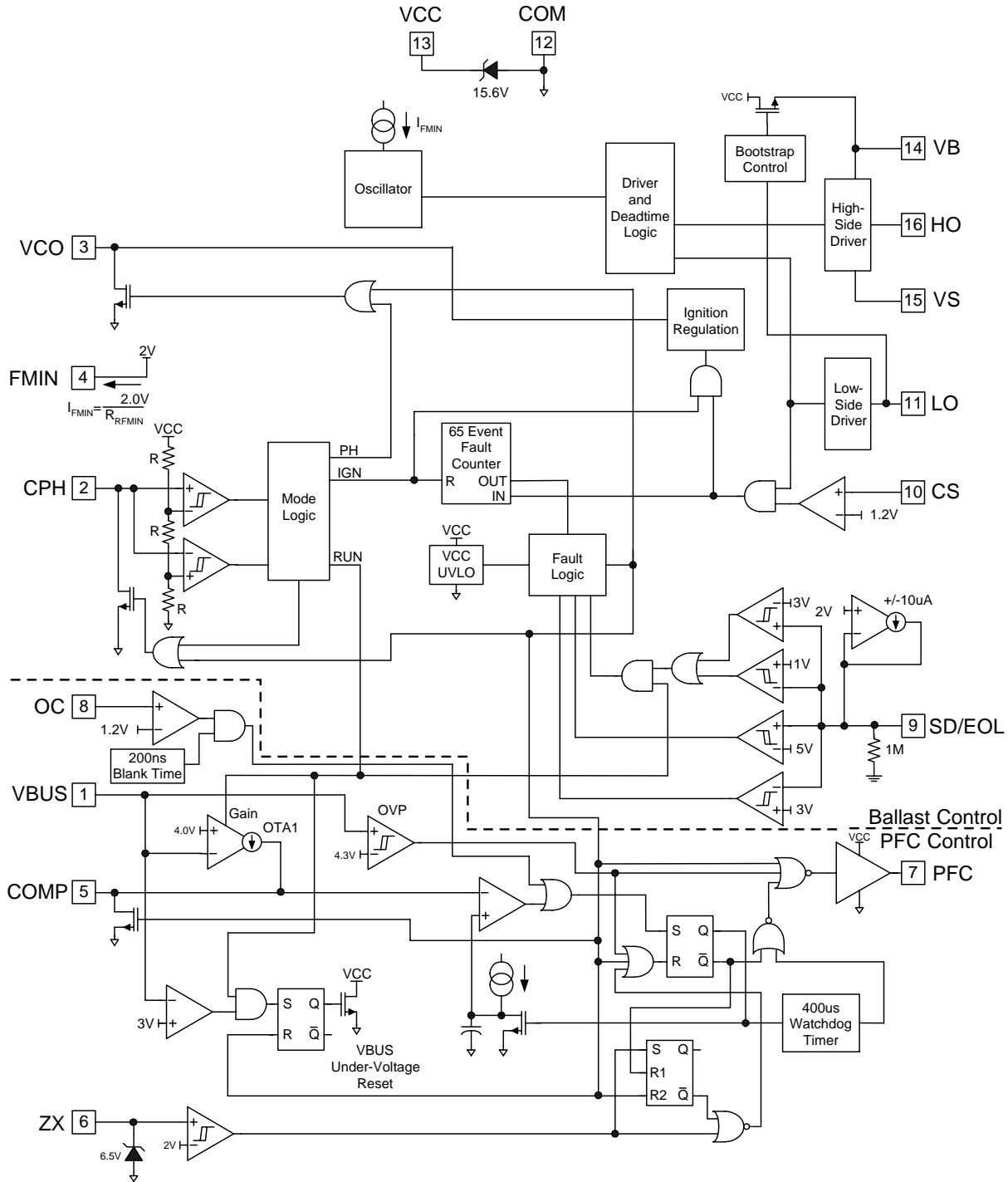
Symbol	Definition	Min	Typ	Max	Units	Test Conditions
<b>Ballast Control Oscillator Characteristics</b>						
$f_{OSC, RUN}$	Half-bridge oscillator run frequency	42.5	44.5	46.5	kHz	MODE = RUN
$f_{OSC, PH}$	Half-bridge oscillator preheat frequency	81	85	89		RPH = 42.2 k $\Omega$ , MODE = PREHEAT
D	Oscillator duty cycle	---	50	---	%	
$t_{d, LO}$	LO output deadtime	1.1	1.6	2.1	$\mu\text{s}$	
$t_{d, HO}$	HO output deadtime	1.1	1.6	2.1		
$V_{FMIN}$	F <sub>MIN</sub> pin voltage	1.9	2.0	2.1	V	$V_{CC} = 14.0\text{ V}$
<b>Ballast Control Preheat, Ignition and Run Mode Characteristics</b>						
$V_{CPHEOP+}$	CPH pin end of preheat rising threshold voltage	8.8	9.3	9.8	V	
$V_{CPSOI-}$	CPH pin start of ignition falling threshold voltage	4.6	4.9	5.2		
$V_{VCO PH}$	VCO pin preheat mode voltage	---	0	---		MODE = PREHEAT
$V_{VCO IGN}$	VCO pin ignition mode voltage	---	(Open Drain)	---		MODE = IGNITION, $V_{CS} < V_{CSTH+}$
$I_{VCO IGN}$	VCO pin ignition regulation discharge current	---	0.6	---	mA	MODE = IGNITION, $V_{VCO} = 1\text{ V}$ , $V_{CS} > V_{CSTH+}$
$V_{CPHRUN+}$	CPH pin run mode rising threshold voltage	8.8	9.3	9.8	V	MODE = IGNITION
$V_{VCO RUN}$	VCO pin run mode voltage	---	(Open Drain)	---		MODE = RUN
<b>Ballast Control Protection Circuitry Characteristics</b>						
$V_{CSTH+}$	CS pin over-current sense threshold	1.1	1.2	1.3	V	
$n_{EVENTS}$	CS pin fault counter number of events	30	65	100	---	MODE = PREHEAT or RUN
$V_{SDTH+}$	SD pin rising non-latched shutdown threshold voltage	4.7	5.2	5.7	V	
$V_{SDTH-}$	SD pin falling reset threshold voltage	2.5	3.0	3.5		
$V_{EOLBIAS}$	EOL pin internal bias voltage	1.9	2.0	2.1		
$V_{EOLTH+}$	EOL pin rising latched shutdown threshold voltage	2.85	3.0	3.15		MODE = RUN
$V_{EOLTH-}$	EOL pin falling latched shutdown threshold voltage	0.9	1.0	1.1		MODE = RUN
$I_{EOL, SOURCE}$	EOL pin OTA output sourcing current	---	10	---	$\mu\text{A}$	MODE = PREHEAT $V_{EOL} = 1.5\text{ V}$
$I_{EOL, SINK}$	EOL pin OTA output sinking current	---	-10	---		MODE = PREHEAT $V_{EOL} = 2.5\text{ V}$
$V_{CPHFLT}$	CPH pin fault mode voltage	---	0	---	V	MODE = FAULT
$V_{VCOFLT}$	VCO pin fault mode voltage					
$V_{FMINFLT}$	FMIN pin fault mode voltage					

**Electrical Characteristics (cont'd)**

$V_{CC} = V_{BS} = V_{BIAS} = 14\text{ V} \pm 0.25\text{ V}$ ,  $C_{LO} = C_{HO} = C_{PFC} = 1000\text{ pF}$ ,  $R_{FMIN} = 42.2\text{ k}\Omega$ ,  $R_{PH} = \text{N/C}$ ,  $V_{CPH} = V_{VCO} = 0\text{ V}$ ,  
 $V_{SD/EOL} = V_{COMP} = V_{CS} = V_{OC} = V_{BUS} = V_{ZX} = 0\text{ V}$ ,  $T_A = 25\text{ }^\circ\text{C}$  unless otherwise specified.

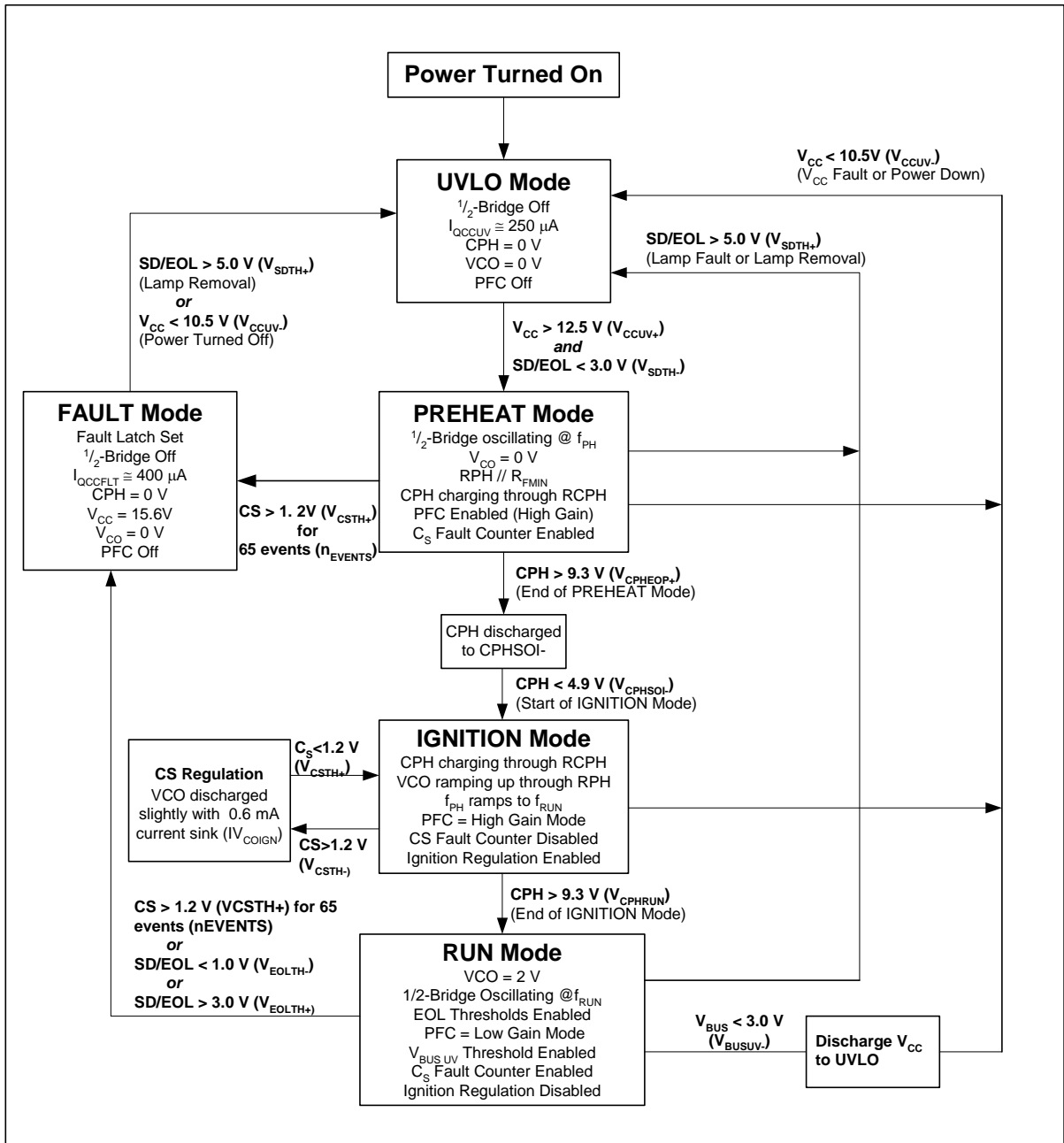
<b>Gate Driver Output Characteristics (HO, LO and PFC pins)</b>						
$V_{OL}$	Low-level output voltage	---	COM	---	V	
$V_{OH}$	High-level output voltage	---	$V_{CC}$	---		
$t_r$	Turn-on rise time	---	120	220	ns	
$t_f$	Turn-off fall time	---	50	100		
$I_{0+}$	Source current	---	180	---	mA	
$I_{0-}$	Sink current	---	260	---		
<b>Bootstrap FET Characteristics</b>						
$V_{B/ON}$	$V_B$ when the bootstrap FET is on	13.0	13.4	---	V	
$I_{B/CAP}$	$V_B$ source current when FET is on	40	55	---	mA	$C_{BS} = 0.1\text{ }\mu\text{F}$
$I_{B/10V}$	$V_B$ source current when FET is on	9	12	---		$V_B = 10\text{ V}$

Schematic Block Diagram



Please Note: All values shown in block diagram are typical values only.

State Diagram



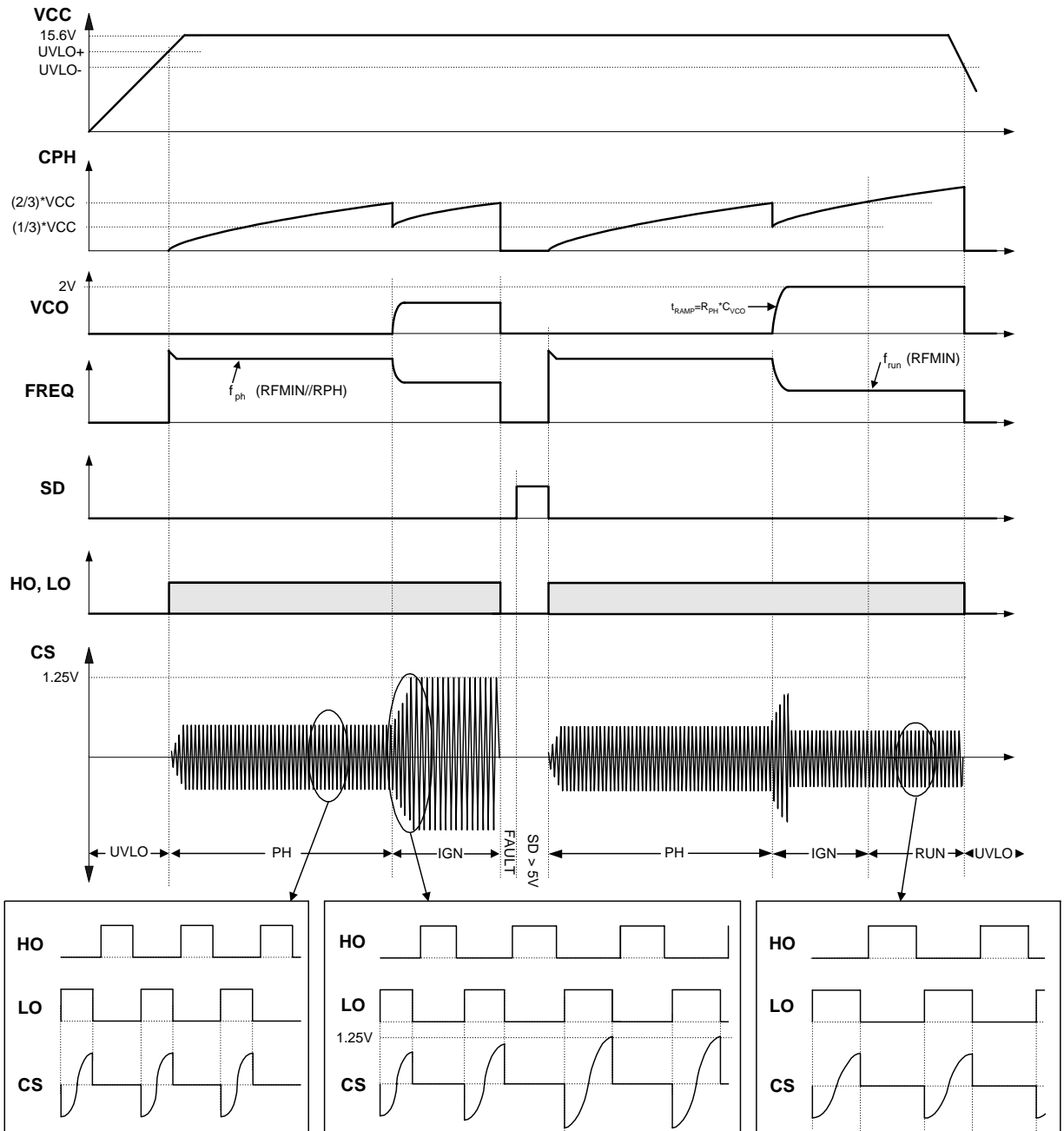
All values are typical.  
 Please refer to application diagram on page 1.



**Lead Assignments & Definitions**

		Pin #	Symbol	Description
VBUS	1	1	VBUS	DC bus sensing input
CPH	2	2	CPH	Preheat timing input
VCO	3	3	VCO	Voltage controlled oscillator/ignition ramp input
FMIN	4	4	FMIN	Oscillator minimum frequency setting
COMP	5	5	COMP	PFC error amplifier compensation
ZX	6	6	ZX	PFC zero-crossing detection
PFC	7	7	PFC	PFC gate driver output
OC	8	8	OC	PFC current sensing input
		9	SD/EOL	Shutdown/end of life sensing input
		10	CS	Half-Bridge current sensing input
		11	LO	Low-side gate driver output
		12	COM	IC power & signal ground
		13	VCC	Logic & low-side gate driver supply
		14	VB	High-side gate driver floating supply
		15	VS	High voltage floating return
		16	HO	High-side gate driver output

**Timing Diagrams Ballast Section**





## Preheat Mode (PH)

The IRS2168D enters preheat mode when  $V_{CC}$  exceeds the UVLO positive-going threshold ( $V_{CCUV+}$ ). The internal MOSFET that connects pin CPH to COM is turned off and an external resistor (Fig. 3) begins to charge the external preheat timing capacitor ( $C_{PH}$ ). LO and HO begin to oscillate at a higher soft-start frequency and ramp down quickly to the preheat frequency. The VCO pin is connected to COM through an internal

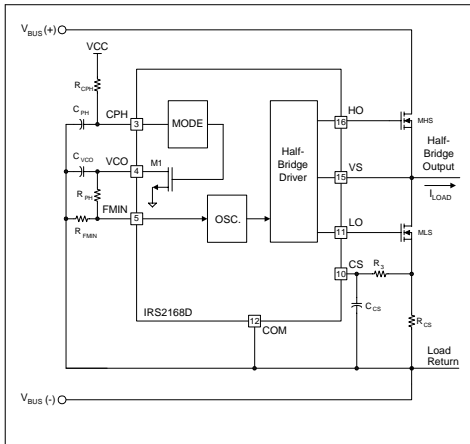


Figure 3: Preheat circuitry

MOSFET M1 so the preheat frequency is determined by the equivalent resistance at the FMIN pin formed by the parallel combination of resistors  $R_{FMIN}$  and  $R_{PH}$ . The frequency remains at the preheat frequency until the voltage on pin  $C_{PH}$  exceeds approximately  $2/3 \cdot V_{CC}$  ( $V_{CPHEOP+}$ ) and the IC enters Ignition Mode. During preheat mode, the over-current protection on pin CS and the 65-cycle ( $n_{EVENTS}$ ) consecutive over-current fault counter are both enabled. The PFC circuit is working in high-gain mode (see PFC section) and keeps the DC bus voltage regulated at a constant level.

## Ignition Mode (IGN)

The IRS2168D ignition mode is defined by the second time  $C_{PH}$  charges from  $1/3 \cdot V_{CC}$  ( $V_{CPHSOI-}$ ) to  $2/3 \cdot V_{CC}$  ( $V_{CPHRUN+}$ ). When the voltage on pin CPH exceeds  $2/3 \cdot V_{CC}$  ( $V_{CPHRUN+}$ ) for the first time, pin CPH is discharged quickly through an internal MOSFET down to  $1/3 \cdot V_{CC}$  ( $V_{CPHSOI-}$ ) (see Figs. 4 and 5). The internal MOSFET turns off and the voltage on pin  $C_{PH}$  begins to increase again. The internal MOSFET M1 at pin  $V_{CO}$  turn

off and resistor  $R_{PH}$  is disconnected from COM. The equivalent resistance at the FMIN pin increases from the parallel combination ( $R_{PH}/R_{FMIN}$ ) to  $R_{FMIN}$  at a rate programmed by the external capacitor at pin VCO ( $C_{VCO}$ ) and resistor  $R_{PH}$ . This causes the operating frequency to ramp down smoothly from the preheat frequency through the ignition frequency to the final run frequency. During this ignition ramp, the frequency sweeps through the resonance frequency of the lamp output stage to ignite the lamp.

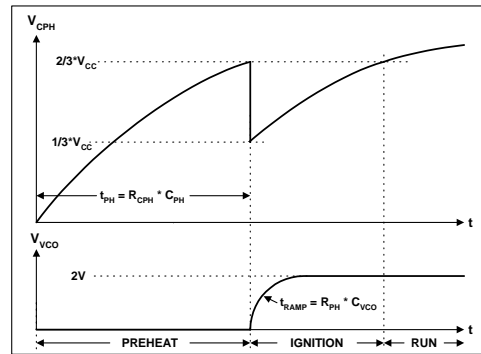


Figure 4:  $C_{PH}$  and VCO timing diagram

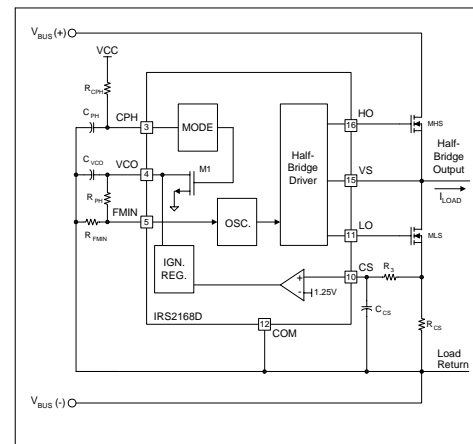


Figure 5: Ignition circuitry

The over-current threshold on pin CS will protect the ballast against a non-strike or open-filament lamp fault condition. The voltage on pin CS is defined by the lower half-bridge MOSFET current flowing through the external current sensing resistor  $R_{CS}$ . This resistor programs the maximum peak ignition current (and therefore peak

ignition voltage) of the ballast output stage. Should this voltage exceed the internal threshold of 1.2 V ( $V_{CSTH+}$ ), the ignition regulation circuit controls the voltage on the VCO pin to increase the frequency slightly (see Fig. 6). This cycle-by-cycle feedback from the  $C_s$  pin to the VCO pin will adjust the frequency each cycle to limit the amplitude of the current for the entire duration of ignition mode.

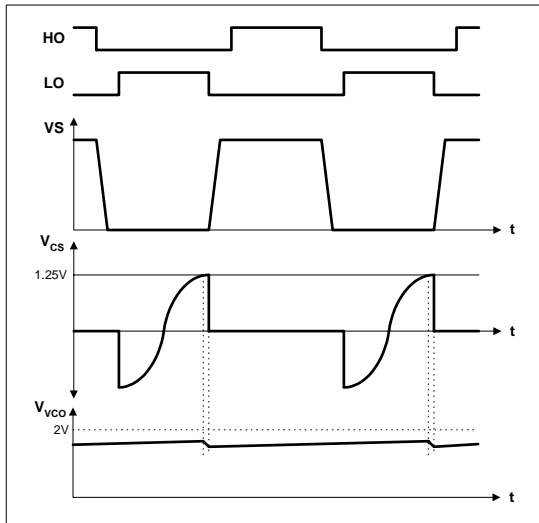


Figure 6: Ignition regulation timing diagram

When  $C_{PH}$  exceeds  $2/3 \cdot V_{CC}$  ( $V_{CPHRUN+}$ ) for the second time, the IC enters run mode and the fault counter becomes enabled. The ignition regulation disabled in run mode but the IC will enter fault mode after 65 ( $n_{EVENTS}$ ) consecutive over-current faults and gate driver outputs HO, LO and PFC will be latched low.

The output voltage of the ballast will increase during the ignition ramp  $t_{RAMP}$  because the frequency ramp down from the preheat frequency to the ignition frequency and will be constant during ignition because the ignition regulation circuit will regulate the amplitude of the current for the entire duration of the ignition time  $t_{IGN}$  (Figs. 7 and 8).

During ignition mode, the PFC circuit is working in high-gain mode and keeps the DC bus voltage regulated at a constant level. The high-gain mode is necessary to prevent the DC bus from decreasing during lamp ignition or ignition regulation. Also during ignition mode, the SD/EOL fault is disabled.

10-Jan-07  
18:16:19

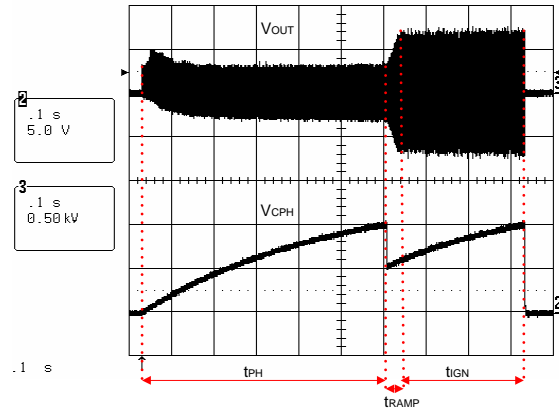


Figure 7: Ballast output voltage and CPH pin during preheat and ignition with deactivated lamp, time span 100ms

10-Jan-07  
18:18:55

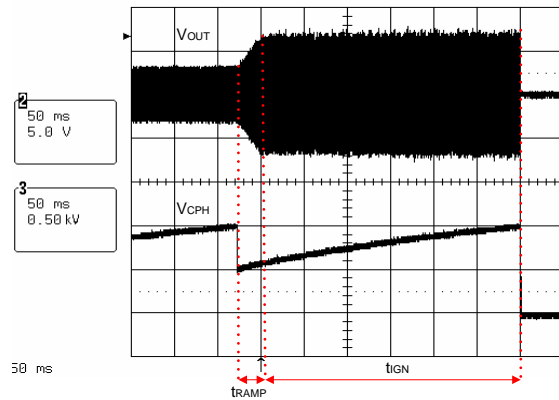


Figure 8: Ballast output voltage and CPH pin during preheat and ignition with deactivated lamp, time span 50ms

## Run Mode (RUN)

Once  $V_{CC}$  has exceeded  $2/3 \cdot V_{CC}$  ( $V_{CPHRUN+}$ ) for the second time, the IC enters run mode. CPH continues to charge up to  $V_{CC}$ . The operating frequency is at the minimum frequency (after the ignition ramp) and is programmed by the external resistor ( $R_{FMIN}$ ) at the FMIN pin. Should hard-switching occur at the half-bridge at any time (open-filament, lamp removal, etc.), the voltage across the current sensing resistor ( $R_{CS}$ ) will exceed the internal threshold of 1.2 V ( $V_{CSTH+}$ ) and the fault counter will begin counting (see Fig. 5). Should the number of consecutive over-current faults exceed 65 ( $n_{EVENTS}$ ), the IC will enter fault mode and the HO, LO and PFC gate driver outputs will be latched low. During run mode, the end-of-life (EOL) window comparator and the DC bus undervoltage reset are both enabled.

## DC Bus Undervoltage Reset

Should the DC bus decrease too low during a brown-out line condition or over-load condition, the resonant output stage to the lamp can shift near or below resonance. This can produce hard switching at the half-bridge that can damage the half-bridge switches, or, the DC bus can decrease too far and the lamp can extinguish. To protect against this, the  $V_{BUS}$  pin includes a 3.0 V undervoltage reset threshold  $V_{BUSUV-}$ . When the IC is in run mode and the voltage at the  $V_{BUS}$  pin decreases below 3.0 V ( $V_{BUSUV-}$ ),  $V_{CC}$  will be discharged through an internal MOSFET down to the  $V_{CCUV-}$  threshold and all gate driver outputs will be latched low. For proper ballast design, the designer should set the over-current limit of the PFC section such that the DC bus does not drop until the AC line input voltage falls below the minimum rated input voltage of the ballast (see PFC section). When the PFC over-current limit is correctly set, the DC bus voltage will start to decrease when over-current is reached during low-line conditions. The voltage measured at the  $V_{BUS}$  pin will decrease below the internal 3.0 V threshold  $V_{BUSUV-}$  and the ballast will turn off cleanly. The pull-up resistor to  $V_{CC}$  ( $R_{VCC}$ ) will then turn the ballast on again when the AC input line voltage increases high enough again where  $V_{CC}$  exceeds  $V_{CCUV+}$ .  $R_{VCC}$  should be set to turn the ballast on at the minimum specified ballast input voltage and the PFC over-current should be set somewhere below this level. This hysteresis will result in clean turn-on and turn-off of the ballast.

## SD/EOL and CS Fault Mode

Should the voltage at the SD/EOL pin exceed 3.0 V ( $V_{EOLTH+}$ ) or decrease below 1.0 V ( $V_{EOLTH-}$ ) during run mode, an end-of-life (EOL) fault condition has occurred and the IC enters fault mode. LO, HO and PFC gate driver outputs are all latched off in the 'low' state. CPH is discharged to COM for resetting the preheat time and VCO is discharged to COM for resetting the frequency. To exit fault mode,  $V_{CC}$  can be decreased below  $V_{CCUV-}$  (ballast power off) or the SD pin can be increased above 5.0 V ( $V_{SDTH+}$ ) (lamp removal). Either of these will force the IC to enter UVLO mode (see State Diagram, page 3). Once  $V_{CC}$  is above  $V_{CCUV+}$  (ballast power on) and SD is pulled above 5.0 V ( $V_{SDTH+}$ ) and back below 3.0 V ( $V_{SDTH-}$ ) (lamp re-insertion), the IC will enter preheat mode and begin oscillating again.

The current sense function will force the IC to enter fault mode only after the voltage at the CS pin has been greater than 1.2 V ( $V_{CSTH+}$ ) for 65 ( $n_{EVENTS}$ ) consecutive cycles of LO. The voltage at the CS pin is AND-ed with LO (see Fig. 9) so it will work with pulses that occur during the LO on-time or DC. If the over-current faults are not consecutive, then the internal fault counter will count back down each cycle when there is no fault. Should an over-current fault occur only for a few cycles and then not occur again, the counter will eventually reset to zero. The over-current fault counter is enabled during preheat and run modes and disabled during ignition mode.

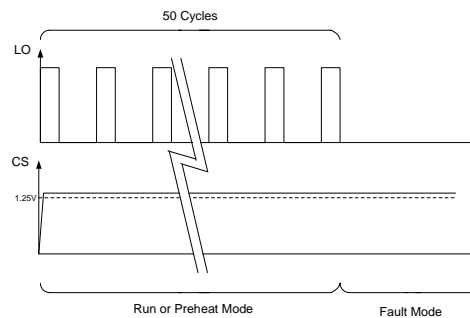


Figure 9: Fault counter timing diagram

## II. PFC Section Functional Description

In most electronic ballasts it is necessary to have the circuit act as a pure resistive load to the AC input line voltage. The degree to which the circuit matches a pure resistor is measured by the phase shift between the input voltage and input current and how well the shape of the input current waveform matches the shape of the sinusoidal input voltage. The cosine of the phase angle between the input voltage and input current is defined as the power factor (PF), and how well the shape of the input current waveform matches the shape of the input voltage is determined by the total harmonic distortion (THD). A power factor of 1.0 (maximum) corresponds to zero phase shift and a THD of 0% and represents a pure sinusoidal waveform (no distortion). For this reason it is desirable to have a high PF and a low THD. To achieve this, the IRS2168D includes an active power factor correction (PFC) circuit.

The control method implemented in the IRS2168D is for a boost-type converter (Fig. 10) running in critical-conduction mode (CCM). This means that during each switching cycle of the PFC MOSFET, the circuit waits until the inductor current discharges to zero before turning the PFC MOSFET on again. The PFC MOSFET is turned on and off at a much higher frequency (>10 kHz) than the line input frequency (50 to 60 Hz).

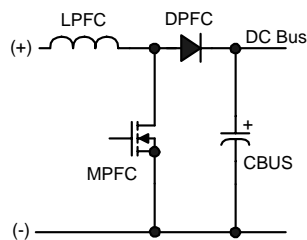


Figure 10: Boost converter circuit

When the switch  $M_{PFC}$  is turned on, the inductor  $L_{PFC}$  is connected between the rectified line input (+) and (-) causing the current in  $L_{PFC}$  to charge up linearly. When  $M_{PFC}$  is turned off,  $L_{PFC}$  is connected between the rectified line input (+) and the DC bus capacitor  $C_{BUS}$  (through diode  $D_{PFC}$ ) and the stored current in  $L_{PFC}$  flows into  $C_{BUS}$ .  $M_{PFC}$  is turned on and off at a high frequency and the voltage on  $C_{BUS}$  charges up to a specified voltage. The feedback loop of the IRS2168D regulates this voltage to a fixed value by continuously monitoring the DC bus voltage and adjusting the on-time of  $M_{PFC}$  accordingly. For an increasing DC bus the on-time is decreased, and for a decreasing DC bus the on-time is increased. This negative feedback control is performed with a slow loop speed and a low loop gain such that the average inductor current smoothly follows the low-frequency line input voltage for high power factor and low THD. The on-time of  $M_{PFC}$  therefore appears to be fixed (with an additional modulation to be discussed later) over several cycles of the line voltage. With a fixed on-time, and an off-time determined by the inductor current discharging to zero, the result is a system where the switching frequency is free-running and constantly changing from a high frequency near the zero crossing of the AC input line voltage, to a lower frequency at the peaks (Fig. 11).

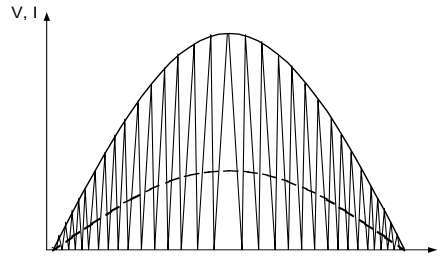


Figure 11: Sinusoidal line input voltage (solid line), triangular PFC Inductor current and smoothed sinusoidal line input current (dashed line) over one half-cycle of the AC line input voltage

When the line input voltage is low (near the zero crossing), the inductor current will charge up to a small amount and the discharge time will be fast resulting in a high switching frequency. When the input line voltage is high (near the peak), the inductor current will charge up to a higher amount and the discharge time will be longer giving a lower switching frequency.

The PFC control circuit of the IRS2168D (Fig. 12) includes five control pins:  $V_{BUS}$ , COMP, ZX, PFC and OC. The  $V_{BUS}$  pin measures the DC bus voltage via an external resistor voltage divider. The COMP pin programs the on-time of  $M_{PFC}$  and the speed of the feedback loop with an external capacitor. The ZX pin detects when the inductor current discharges to zero each switching cycle using a secondary winding from the  $P_{FC}$  inductor. The PFC pin is the low-side gate driver output for the external MOSFET,  $M_{PFC}$ . The OC pin senses the current flowing through  $M_{PFC}$  and performs cycle-by-cycle over-current protection.

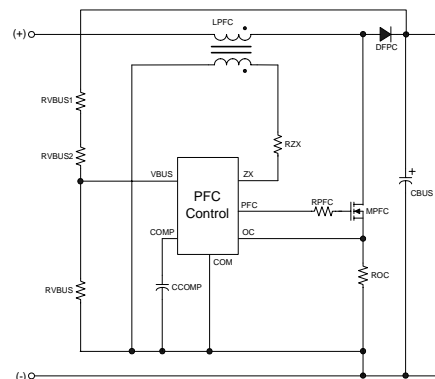


Figure 12: IRS2168D simplified PFC control circuit

The  $V_{BUS}$  pin is regulated against a fixed internal 4.0 V reference voltage for regulating the DC bus voltage (Fig. 13). The feedback loop is performed by an operational transconductance amplifier (OTA) that sinks or sources a current to the external capacitor at the COMP pin. The resulting voltage on the COMP pin sets the threshold for the charging of the internal timing capacitor (C1, Figure 13) and therefore programs the on-time of  $M_{PFC}$ . During preheat and ignition modes of the ballast section, the gain of the OTA is set to a high level to raise the DC bus level quickly and to minimize the transient on the DC bus that can occur during ignition. During run mode, the gain is then decreased to a lower level necessary for a slower

loop speed for achieving high power factor and low THD.

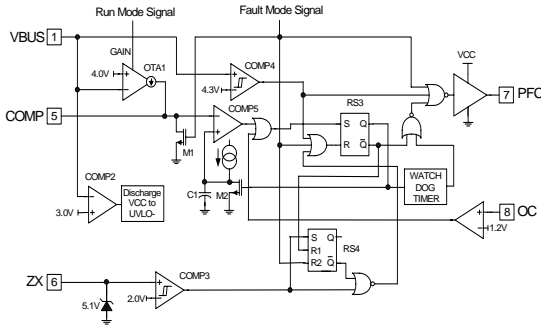


Figure 13: IRS2168D detailed PFC control circuit

The off-time of  $M_{PFC}$  is determined by the time it takes the  $L_{PFC}$  current to discharge to zero. The zero current level is detected by a secondary winding on LPFC that is connected to the ZX pin through an external current limiting resistor  $R_{ZX}$ . A positive-going edge exceeding the internal 2 V threshold ( $V_{ZXTH+}$ ) signals the beginning of the off-time. A negative-going edge on the ZX pin falling below 1.7 V ( $V_{ZXTH+} - V_{ZXHYS}$ ) will occur when the  $L_{PFC}$  current discharges to zero which signals the end of the off-time and  $M_{PFC}$  is turned on again (Fig. 14). The cycle repeats itself indefinitely until the PFC section is disabled due to a fault detected by the ballast section (Fault Mode), an over-voltage or undervoltage condition on the DC bus, or, the negative transition of ZX pin voltage does not occur. Should the negative edge on the ZX pin not occur,  $M_{PFC}$  will remain off until the watch-dog timer forces a turn-on of  $M_{PFC}$  for an on-time duration programmed by the voltage on the COMP pin. The watch-dog pulses occur every 400  $\mu s$  ( $t_{WD}$ ) indefinitely until a correct positive- and negative-going signal is detected on the ZX pin and normal PFC operation is resumed. Should the OC pin exceed the 1.2 V ( $V_{OCTH+}$ ) over-current threshold during the on-time, the PFC output will turn off. The circuit will then wait for a negative-going transition on the ZX pin or a forced turn-on from the watch-dog timer to turn the PFC output on again.

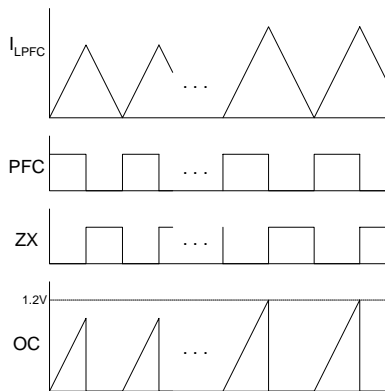


Figure 14: Inductor current, PFC pin, ZX pin and OC pin timing diagram

## On-time Modulation Circuit

A fixed on-time of  $M_{PFC}$  over an entire cycle of the line input voltage produces a peak inductor current which naturally follows the sinusoidal shape of the line input voltage. The smoothed averaged line input current is in phase with the line input voltage for high power factor but the total harmonic distortion (THD), as well as the individual higher harmonics, of the current can still be too high. This is mostly due to cross-over distortion of the line current near the zero-crossings of the line input voltage. To achieve low harmonics that are acceptable to international standard organizations and general market requirements, an additional on-time modulation circuit has been added to the PFC control. This circuit dynamically increases the on-time of  $M_{PFC}$  as the line input voltage nears the zero-crossings (Fig. 15). This causes the peak  $L_{PFC}$  current, and therefore the smoothed line input current, to increase slightly higher near the zero-crossings of the line input voltage. This reduces the amount of cross-over distortion in the line input current which reduces the THD and higher harmonics to low levels.

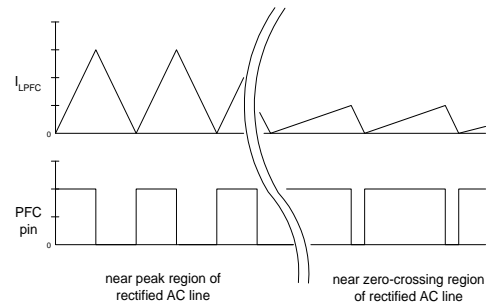


Figure 15: On-time modulation circuit timing diagram

## DC Bus Over-voltage Protection

Should over-voltage occur on the DC bus and the VBUS pin exceeds the internal 4.3 V threshold ( $V_{BUSOV+}$ ), the PFC output is disabled (set to a logic 'low'). When the DC bus decreases again and the  $V_{BUS}$  pin decreases below the internal 4.15 V threshold ( $V_{BUSOV-}$ ), a watch-dog pulse is forced on the PFC pin and normal PFC operation is resumed.

## DC Bus Undervoltage Reset

When the input line voltage decreases, the on-time of  $M_{PFC}$  increases to keep the DC bus constant. The on-time will continue to increase as the line voltage continues to decrease until the OC pin exceeds the internal 1.2 V over-current threshold ( $V_{OCTH+}$ ). At this time, the on-time can no longer increase and the PFC can no longer supply enough current to keep the DC bus fixed for the given load power. This will cause the DC bus to begin to decrease. The decreasing DC bus will cause the  $V_{BUS}$  pin to decrease below the internal 3.0 V threshold ( $V_{BUSUV-}$ ) (Fig. 12).



When this occurs,  $V_{CC}$  is discharged internally to UVLO. The IRS2168D enters UVLO mode and both the PFC and ballast sections are disabled. The start-up supply resistor to  $V_{CC}$ , together with the micro-power start-up current, should be set such that the ballast turns on at an AC line input voltage above the level at which the DC bus begins to drop. The current-sensing resistor at the OC pin sets the maximum PFC current and therefore sets the maximum on-time of  $M_{PFC}$ . This prevents saturation of the PFC inductor and programs the minimum low-line input voltage for the ballast. The micro-power supply resistor to  $V_{CC}$  and the current-sensing resistor at the OC pin program the on and off input line voltage thresholds for the ballast. With these thresholds correctly set, the ballast will turn off due to the 3.0 V undervoltage threshold ( $V_{BUSUV}$ ) on the  $V_{BUS}$  pin, and on again at a higher voltage (hysteresis) due to the supply resistor to  $V_{CC}$ .

### III. Ballast Design Equations

Note: The results from the following design equations can differ slightly from actual measurements due to IC tolerances, component tolerances, and oscillator over- and under-shoot due to internal comparator response time.

#### Step 1: Program Run Frequency

The run frequency is programmed with the timing resistor  $R_{FMIN}$  at the FMIN pin. Use graph in Fig. 16 ( $R_{FMIN}$  vs. Frequency) to select  $R_{FMIN}$  value for desired run frequency.

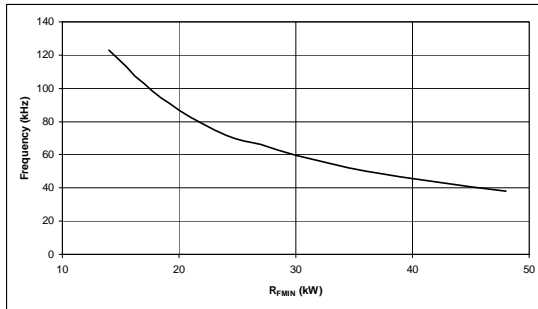


Figure 16:  $f_{OSC}$  vs  $R_{FMIN}$

#### Step 2: Program Preheat Frequency

The preheat frequency is programmed with timing resistors  $R_{FMIN}$  and  $R_{PH}$ . The timing resistors are connected in parallel for the duration of the preheat time. Use graph in Fig. 14 ( $R_{FMIN}$  vs. Frequency) to select  $R_{EQUIV}$  value for desired preheat frequency. Then  $R_{PH}$  is given as:

$$R_{PH} = \frac{R_{FMIN} \cdot R_{EQUIV}}{R_{FMIN} - R_{EQUIV}} \quad [\Omega] \quad (1)$$

#### Step 3: Program Preheat Time and Ignition Time

The preheat time is defined by the time it takes for the external capacitor on pin  $C_{PH}$  to charge up to  $V_{CPHEOP+}$ . An external resistor ( $R_{CPH}$ ) connected to  $V_{CC}$  charges capacitor  $C_{PH}$ . The preheat time is therefore given as:

$$t_{PH} \approx R_{CPH} \cdot C_{PH} \quad [s] \quad (2)$$

or

$$C_{PH} \approx \frac{t_{PH}}{R_{CPH}} \quad [F] \quad (3)$$

The ignition time is defined by the time it takes for the external capacitor on pin  $C_{PH}$  to charge up the second time from  $V_{CPSOL}$  to  $V_{CPHRUN}$ . The ignition time is therefore given as:

$$t_{IGN} \approx 0.4 \cdot t_{PH} \quad [s] \quad (4)$$

#### Step 4: Program Ignition Ramp Time

The ignition ramp time is defined by the time it takes for the external capacitor on pin  $V_{CO}$  to charge up to 2 V. The external timing resistor ( $R_{PH}$ ) connected to  $F_{MIN}$  charges capacitor  $C_{VCO}$ . The ignition ramp time is therefore given as:

$$t_{RAMP} = R_{PH} \cdot C_{VCO} \quad [s] \quad (5)$$

or

$$C_{VCO} \approx \frac{t_{RAMP}}{R_{PH}} \quad [F] \quad (6)$$

#### Step 5: Program Maximum Ignition Current

The maximum ignition current is programmed with the external resistor  $R_{CS}$  and an internal threshold of 1.2 V ( $V_{CSTH+}$ ). This threshold determines the over-current limit of the ballast, which will be reached when the frequency ramps down towards resonance during ignition and the lamp does not ignite. The maximum ignition current is given as:

$$I_{IGN} \approx \frac{1.2}{R_{CS}} \quad [A] \text{ (peak)} \quad (7)$$

OR

$$R_{CS} \approx \frac{1.2}{I_{IGN}} \quad [\Omega] \quad (8)$$

#### IV. PFC Design Equations

Step 1: Calculate PFC inductor value:

$$L_{PFC} = \frac{(8e-6) \cdot (VBUS - VAC_{RMS} \sqrt{2}) \cdot VAC_{RMS} \cdot \eta}{2 \cdot \sqrt{2} \cdot P_{OUT}} \quad [H] \quad (1)$$

where,

$VBUS$  = DC bus voltage  
 $VAC_{RMS}$  = Nominal rms AC input voltage  
 $\eta$  = PFC efficiency (typically 0.95)  
 $P_{OUT}$  = Ballast output power

Step 2: Calculate peak PFC inductor current:

$$i_{PK} = \frac{2 \cdot \sqrt{2} \cdot P_{OUT}}{VAC_{MIN} \cdot \eta} \quad [A] \text{ (peak)} \quad (2)$$

where,

$VAC_{MIN}$  = Minimum rms AC input voltage

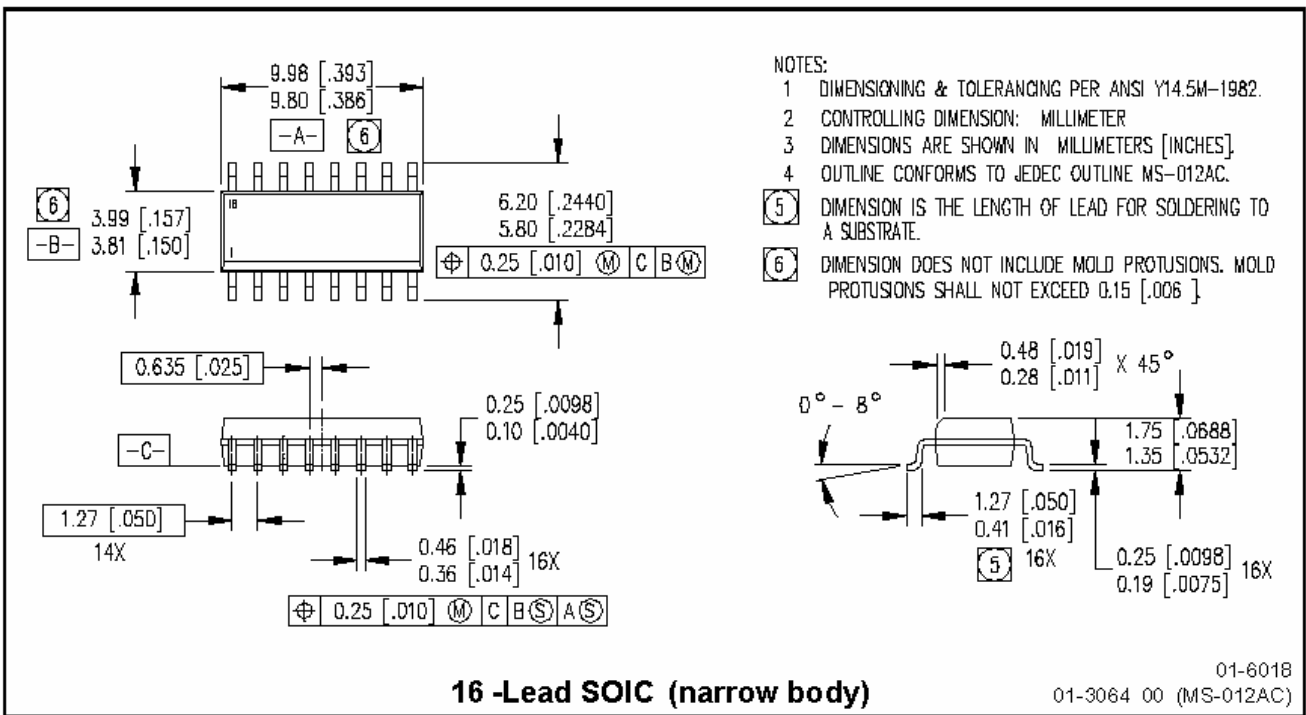
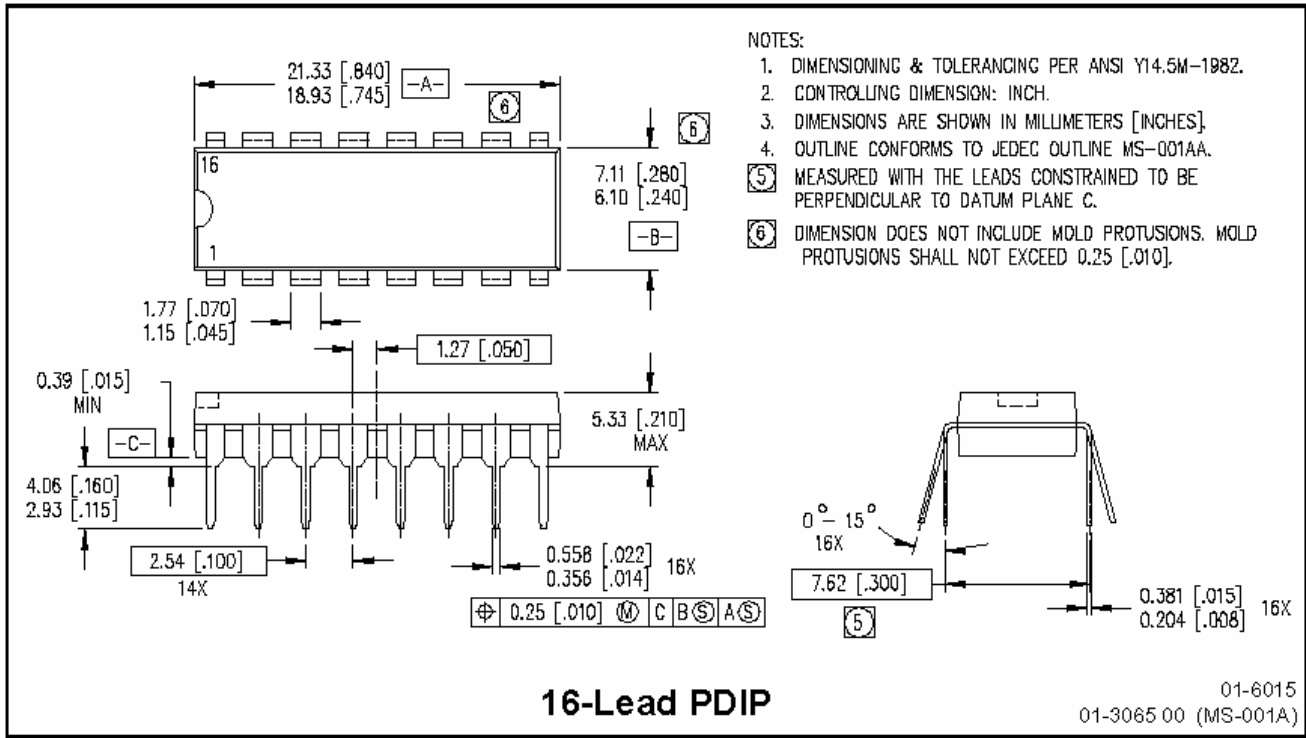
Note: The PFC inductor must not saturate at  $i_{PK}$  over the specified ballast operating temperature range. Proper core sizing and air-gapping should be considered in the inductor design.

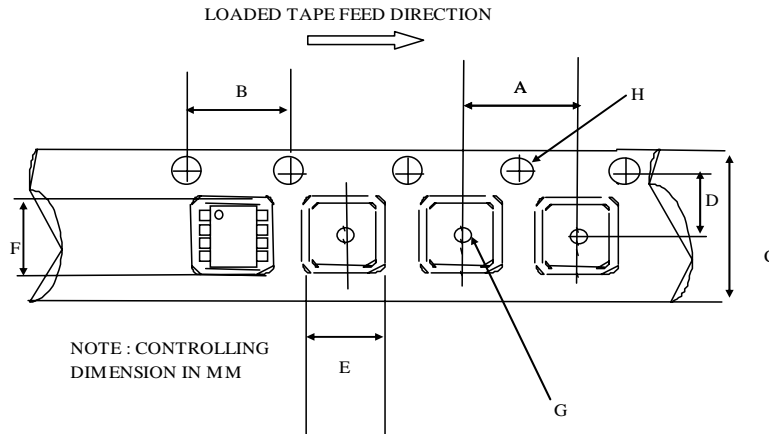
Step 3: Calculate PFC over-current resistor ROC value:

$$R_{OC} = \frac{1.2}{i_{PK}} \quad [\Omega] \quad (3)$$

Step 4: Calculate start-up resistor  $R_{VCC}$  value:

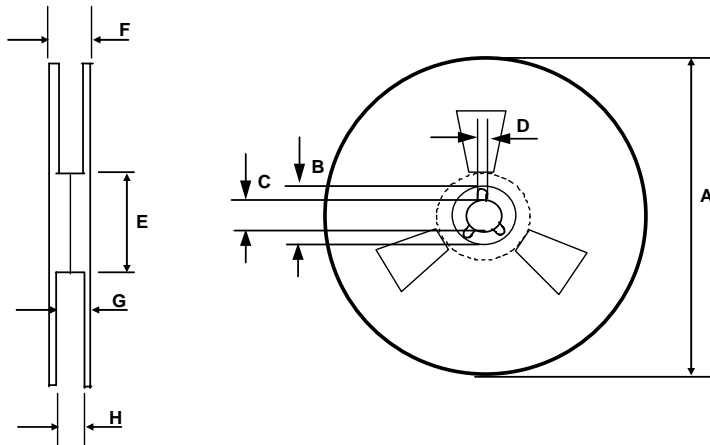
$$R_{VCC} = \frac{VAC_{MIN} + 10}{IQCCUV} \quad [\Omega] \quad (4)$$





CARRIER TAPE DIMENSION FOR 16SOICN

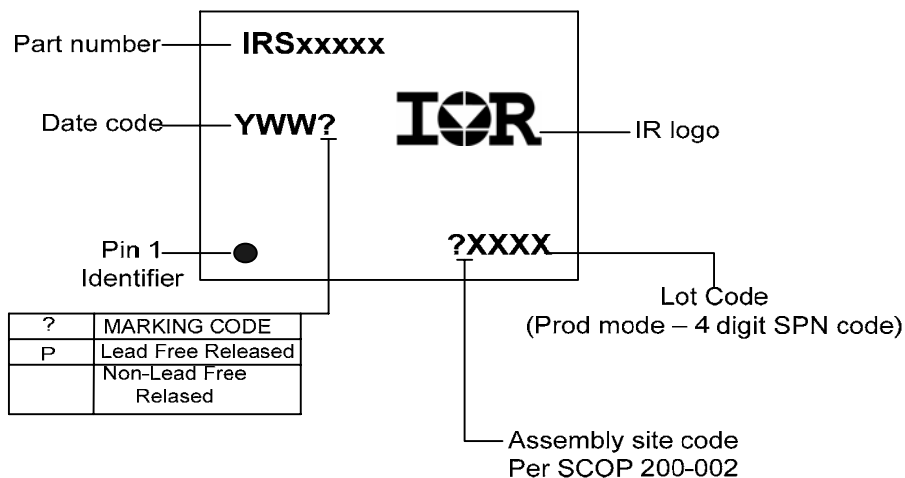
Code	Metric		Imperial	
	Min	Max	Min	Max
A	7.90	8.10	0.311	0.318
B	3.90	4.10	0.153	0.161
C	15.70	16.30	0.618	0.641
D	7.40	7.60	0.291	0.299
E	6.40	6.60	0.252	0.260
F	10.20	10.40	0.402	0.409
G	1.50	n/a	0.059	n/a
H	1.50	1.60	0.059	0.062



REEL DIMENSIONS FOR 16SOICN

Code	Metric		Imperial	
	Min	Max	Min	Max
A	329.60	330.25	12.976	13.001
B	20.95	21.45	0.824	0.844
C	12.80	13.20	0.503	0.519
D	1.95	2.45	0.767	0.096
E	98.00	102.00	3.858	4.015
F	n/a	22.40	n/a	0.881
G	18.50	21.10	0.728	0.830
H	16.40	18.40	0.645	0.724

**LEAD-FREE PART MARKING INFORMATION**



**ORDER INFORMATION**

- 16-Lead PDIP IRS2168DPbF
- 16-Lead SOIC IRS2168DSPbF
- 16-Lead SOIC Tape & Reel IRS2168DSTRPbF