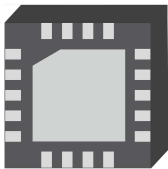
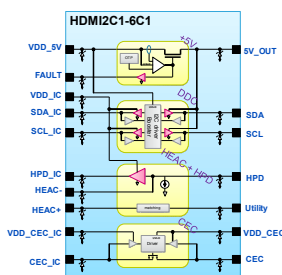


ESD protection and signal booster for HDMI source control stage interface



QFN_18L 3.5 x 3.5
pitch 0.5 mm



Product status link

[HDMI2C1-6C1](#)

Features

- For HDMI 1.4, 2.0 & 2.1 application, operating temperature from -40 to 85 °C
- 8 kV contact ESD protection on connector side (IEC 61000-4-2 level 4)
- Supports direct connection to low-voltage HDMI ASIC and/or CEC driver (down to 1.8 V)
- High integration level in 1 package
- DDC (I2C) link protection, bi-directional signal conditioning circuit and dynamic pull-up
- CEC bus protection, bi-directional level-shifter, backdrive protection, and independent structure from main power supply
- HEAC link protection and line matching
- HPD pull down, signal conditioning with level shifter and backdrive protection
- Short-circuit protection on 5V output
- Proposed in 500 μm pitch QFN 18L 3.5 x 3.5
- Benefits:
 - Minimal PCB footprint in tablet, set top box, game console and other consumer application
 - Protection of ultra-sensitive HDMI ASICs
 - Wake-up from stand-by through CEC bus
 - Ultra low power consumption in stand-by mode
 - Improved HDMI interface ruggedness and user experience
 - Long and/or poor quality cable support with dynamic pull-up on DDC bus
- Complies with the following standards:
 - Dedicated for HDMI 1.4, 2.0 and 2.1 version
 - IEC 61000-4-2 level 4
 - JESD22-A114D level 2

Applications

Consumer and computer electronics HDMI Source device such as:

- Tablet, smartphone and notebook
- HD set-top boxes
- Game console
- DVD and Blu-Ray Disk systems
- PC graphic cards

Description

The **HDMI2C1-6C1** is an integrated ESD protection and signal conditioning device for control links of HDMI transmitters (Source).

This device is a simple solution that provides HDMI designers with an easy and fast way to reach full compliance with the stringent HDMI CTS on a wide temperature range.

HDMI logo and high-definition multimedia interface are trademarks or registered trademarks of HDMI licensing LLC.

1 Functional description

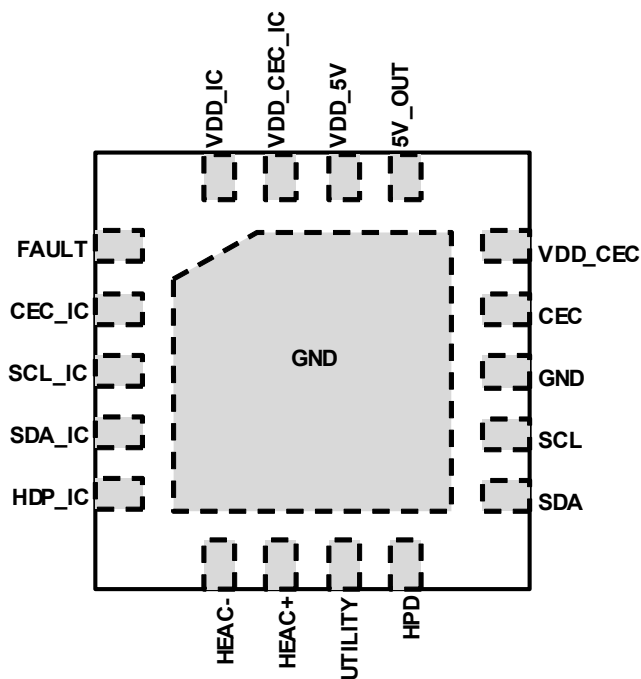
The **HDMI2C1-6C1** is a fully integrated ESD protection and signal conditioning device for control stage of HDMI transmitters (Source).

The component offers two buffers, integrating signal conditioning dynamic pull-up on DDC bus for maximum system robustness and signal integrity. A bidirectional CEC block is integrated, able to wake-up the application from stand-by mode (all power supply off, except the CEC power supply).

The +5 V supplied to the cable is protect against accidental surge current and short circuit. All these features are provided in a 18 leads QFN package featuring natural PCB routing, cost optimization and saving space on the board.

The **HDMI2C1-6C1** is a simple solution that provides HDMI designers with an easy and fast way to reach full compliance with the stringent HDMI CTS on a wide temperature range. STMicroelectronics proposes also a large range of high speed ESD protections and common mode filter (ECMF series) dedicated to the TMDS lanes giving the flexibility to the designer to filter and protect these (high speed video link against ESD strikes and EMC issues).

Figure 1. Pin configuration (bump side) pin out, top view



2 Application information

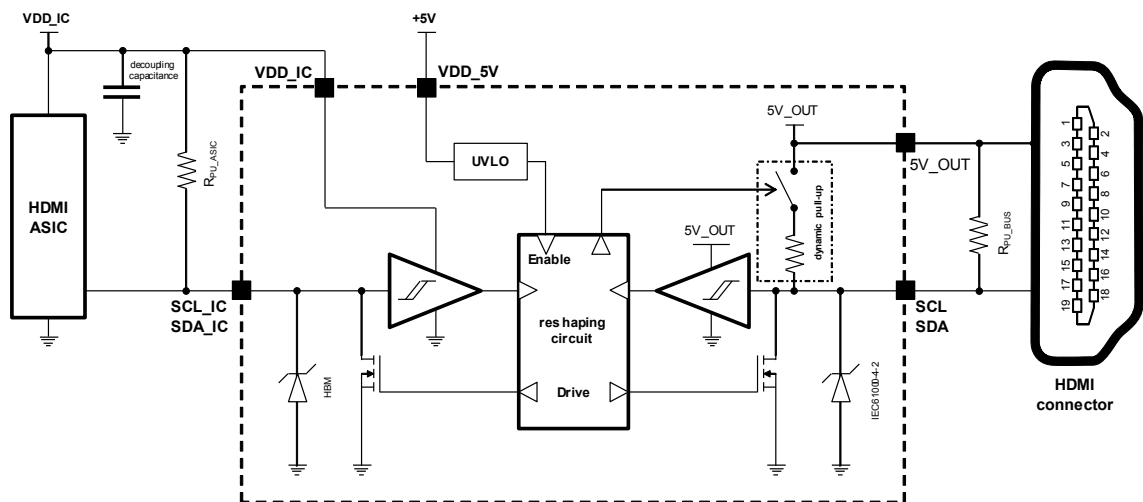
2.1 CEC line description

The DDC bus is described in the HDMI standards as the display data channel. The topology corresponds to an I2C bus that must be compliant with the I2C bus specification UM10204 revision 5 (October 2012). The DDC bus is made of 2 lines: data line (SDA) and clock line (SCL). It is used to create a point to point communication link from the source to the sink. EEDID and HDCP protocols are especially flowing through this link, making this I2C communication channel a key element in the HDMI application.

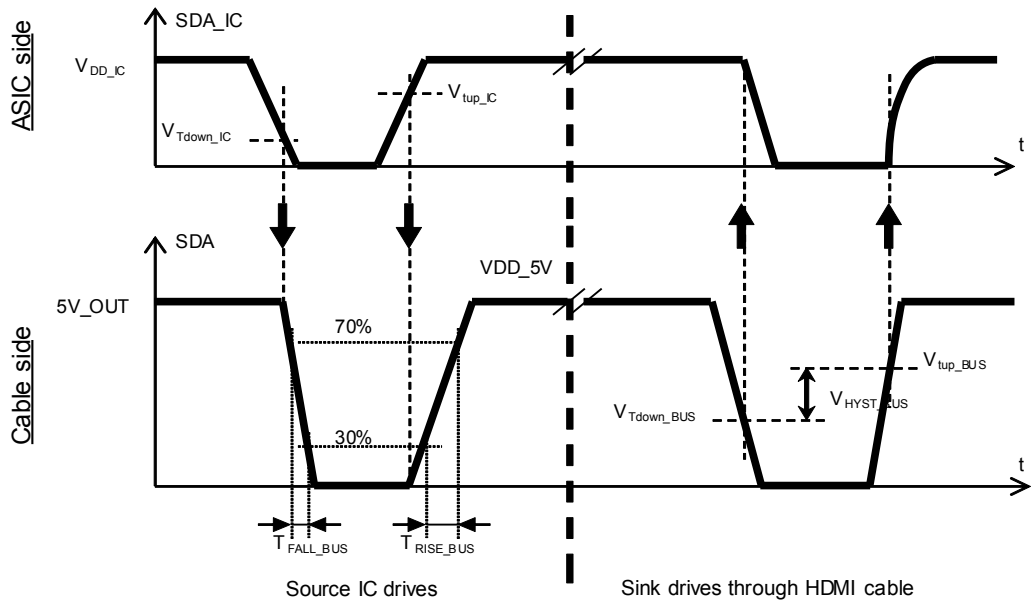
The DDC block integrated in the HDMI2C1-6C1 allows a bidirectional communication between the cable and the ASIC. It is fully compliant with the HDMI 2.0 standard (I2C bus specification) and its CTS. It is shifting the 5 V voltage from the cable (V5V_OUT) down to the ASIC voltage level (VDD_IC) that can be as low as 1.8 V.

The Figure 2. DDC buffer functional diagram (SCL and SDA lines) shows the functional diagram of the DDC block integrated in the HDMI2C1-6C1 device.

Figure 2. DDC buffer functional diagram (SCL and SDA lines)



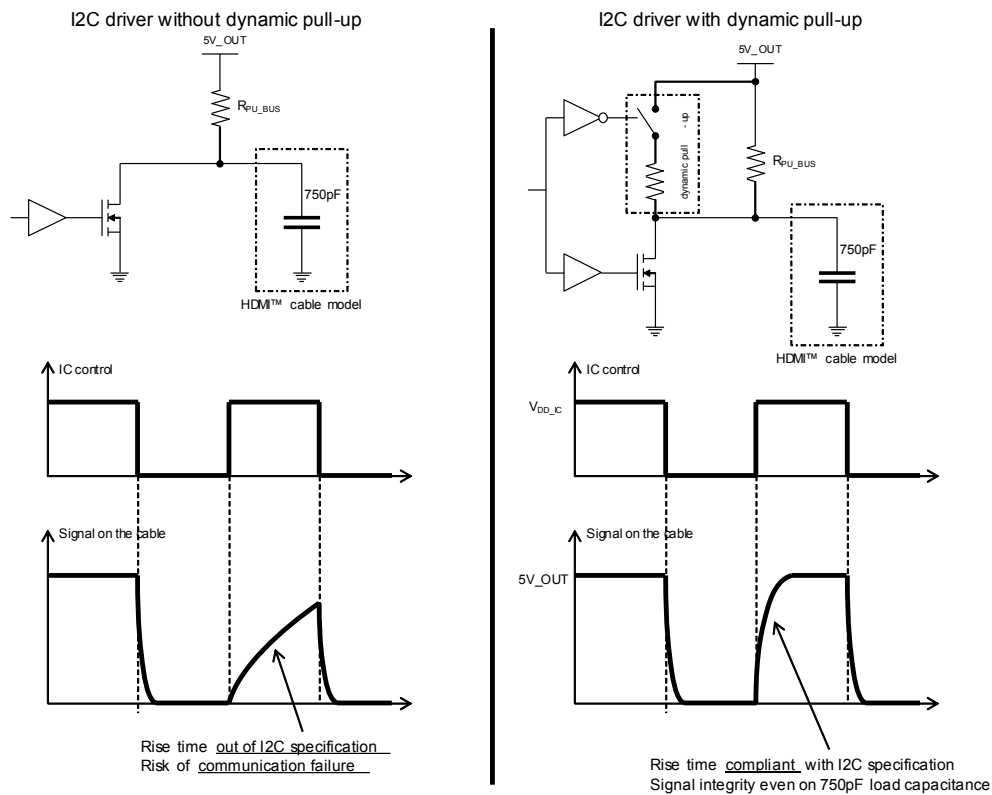
The Figure 3. Simplified view of the electrical parameters of the DDC block illustrates the electrical parameter of the DDC block specified by the Table 7. DDC bus (SDA and SCL) line electrical characteristics ($T_{amb} = 25\text{ }^{\circ}\text{C}$, $V_{DD_5V} = 5\text{ V}$, $V_{DD_IC} = 1.8\text{ V}$, unless otherwise specified).

Figure 3. Simplified view of the electrical parameters of the DDC block


The HDMI standard specifies that the max capacitance of the cable can reach up to 700 pF. Knowing that the max capacitance of the Sink input can reach up to 50 pF, this means that the I2C buffer must be able to drive a load capacitance up to 750 pF. On the other hand, the I2C standard specifies a maximum rise time (30%-70%) of the signal must be lower than 1µs in order to keep the signal integrity. Taking into account the max cable capacitance of 750 pF, it is not possible to guarantee a rise time lower than 1µs in worst case.

Therefore, a dynamic pull-up has been integrated at the output of SDA and SCL lines and synchronized with the I2C driver. This signal booster accelerates for a short period the charging time of the equivalent cable capacitance, allowing driving any HDMI cable.

The [Figure 4. Benefit of the dynamic pull-up on the DDC bus](#) illustrates the benefit of the dynamic pull-up integrated in the **HDMI2C1-6C1** device.

Figure 4. Benefit of the dynamic pull-up on the DDC bus


In order to activate the DDC bus, both following conditions must be respected: VDD_5V must be higher than the VDD_ON threshold (see [Table 3. Power supply characteristics \(\$T_{amb} = 25\text{ }^{\circ}\text{C}\$ \)](#)), and all inputs and outputs (SDA, SCL, SDA_IC, SCL_IC) must be set to a high level at the same time.

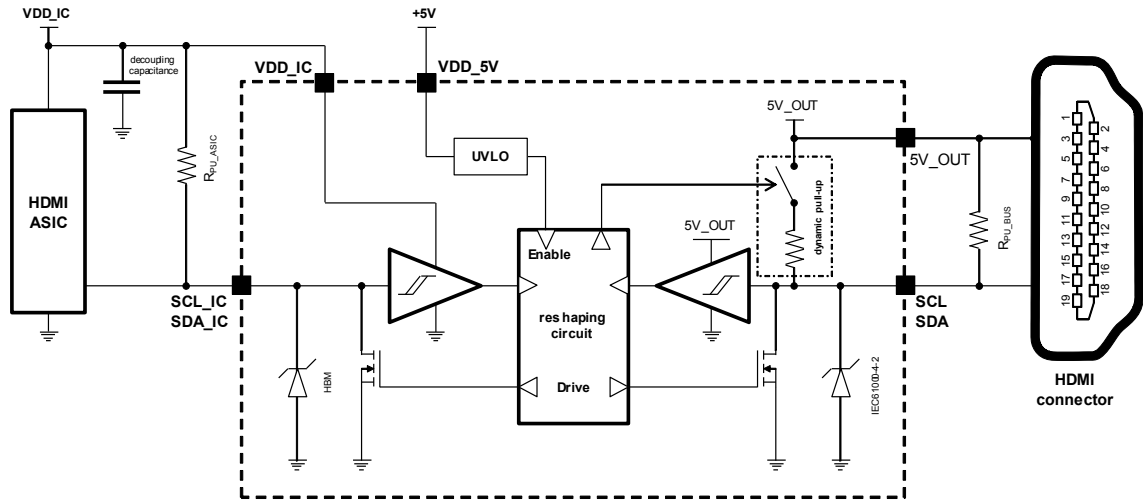
The DDC outputs (SCL and SDA on cable side) integrate a protection against ESD which is compliant with IEC61000-4-2 standard, level 4 (8 kV contact).

2.2 DDC bus description

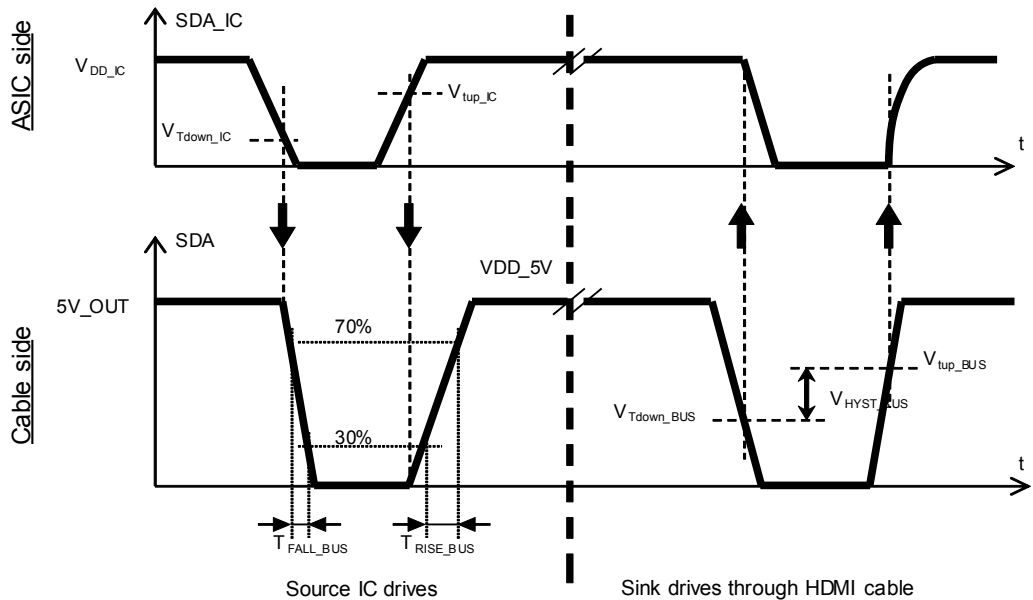
The DDC bus is described in the HDMI standards as the display data channel. The topology corresponds to an I2C bus that must be compliant with the I2C bus specification UM10204 revision 5 (October 2012). The DDC bus is made of 2 lines: data line (SDA) and clock line (SCL). It is used to create a point to point communication link from the source to the sink. EEDID and HDCP protocols are especially flowing through this link, making this I2C communication channel a key element in the HDMI application.

The DDC block integrated in the [HDMI2C1-6C1](#) allows a bidirectional communication between the cable and the ASIC. It is fully compliant with the HDMI 2.0 standard (I2C bus specification) and its CTS. It is shifting the 5 V voltage from the cable ($V5V_OUT$) down to the ASIC voltage level (VDD_IC) that can be as low as 1.8 V.

The [Figure 2. DDC buffer functional diagram \(SCL and SDA lines\)](#) shows the functional diagram of the DDC block integrated in the HDMI2C1-6C1 device.

Figure 2. DDC buffer functional diagram (SCL and SDA lines)


The Figure 3. Simplified view of the electrical parameters of the DDC block illustrates the electrical parameter of the DDC block specified by the Table 7. DDC bus (SDA and SCL) line electrical characteristics ($T_{amb} = 25^\circ\text{C}$, $V_{DD_5V} = 5\text{V}$, $V_{DD_IC} = 1.8\text{V}$, unless otherwise specified) .

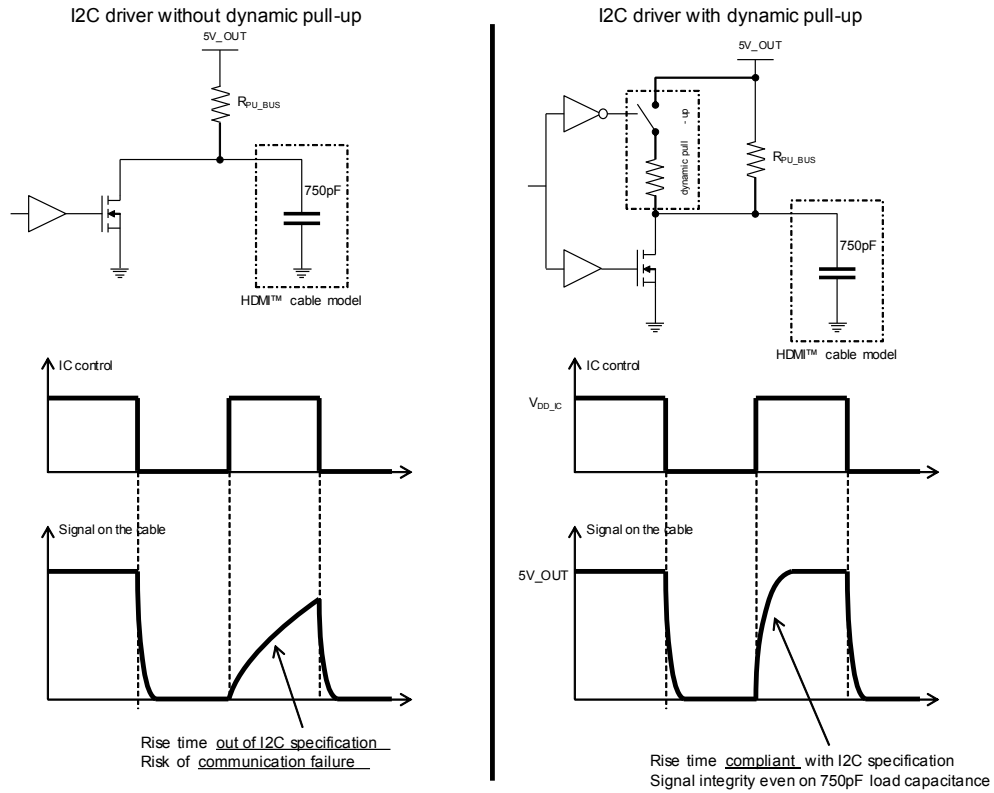
Figure 3. Simplified view of the electrical parameters of the DDC block


The HDMI standard specifies that the max capacitance of the cable can reach up to 700 pF. Knowing that the max capacitance of the Sink input can reach up to 50 pF, this means that the I2C buffer must be able to drive a load capacitance up to 750 pF. On the other hand, the I2C standard specifies a maximum rise time (30%-70%) of the signal must be lower than 1µs in order to keep the signal integrity. Taking into account the max cable capacitance of 750 pF, it is not possible to guarantee a rise time lower than 1µs in worst case.

Therefore, a dynamic pull-up has been integrated at the output of SDA and SCL lines and synchronized with the I2C driver. This signal booster accelerates for a short period the charging time of the equivalent cable capacitance, allowing driving any HDMI cable.

The Figure 4. Benefit of the dynamic pull-up on the DDC bus illustrates the benefit of the dynamic pull-up integrated in the HDMI2C1-6C1 device.

Figure 4. Benefit of the dynamic pull-up on the DDC bus



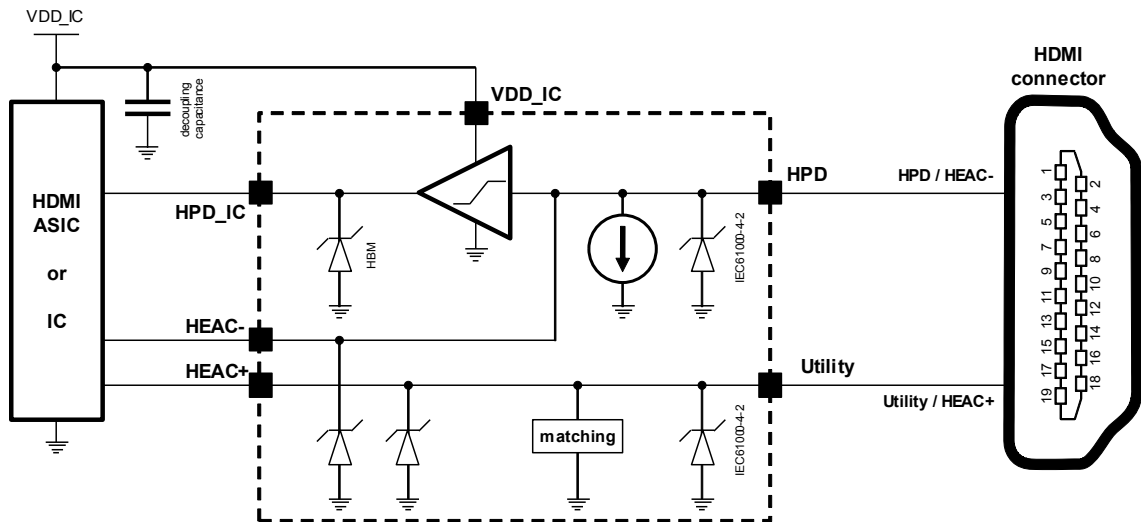
In order to activate the DDC bus, both following conditions must be respected: VDD_5V must be higher than the VDD_ON threshold (see Table 3. Power supply characteristics ($T_{amb} = 25\text{ }^{\circ}\text{C}$)), and all inputs and outputs (SDA, SCL, SDA_IC, SCL_IC) must be set to a high level at the same time.

The DDC outputs (SCL and SDA on cable side) integrate a protection against ESD which is compliant with IEC61000-4-2 standard, level 4 (8 kV contact).

2.3 HEAC link and HPD line description

The **HDMI2C1-6C1** proposes a unique solution to manage and to protect both the HEAC and the HPD link. The shows an overview of the function diagram of the integrated block.

Figure 5. HEAC / HPD Utility functional block diagram



This block simplifies the design and the PCB layout of the HPD + HEAC functions. Simply connect the 2 pins from the HDMI connector to one side of the device, and then use the 3 dedicated outputs on the other side of the device to manage separately the HPD and the HEAC links.

Note that HEAC- and HEAC+ must be kept non connected when unused (to avoid to connect to GND when unused).

Both HPD and Utility inputs (cable side) integrate a protection against ESD which is compliant with IEC61000-4-2 standard, level 4 (8 kV contact)

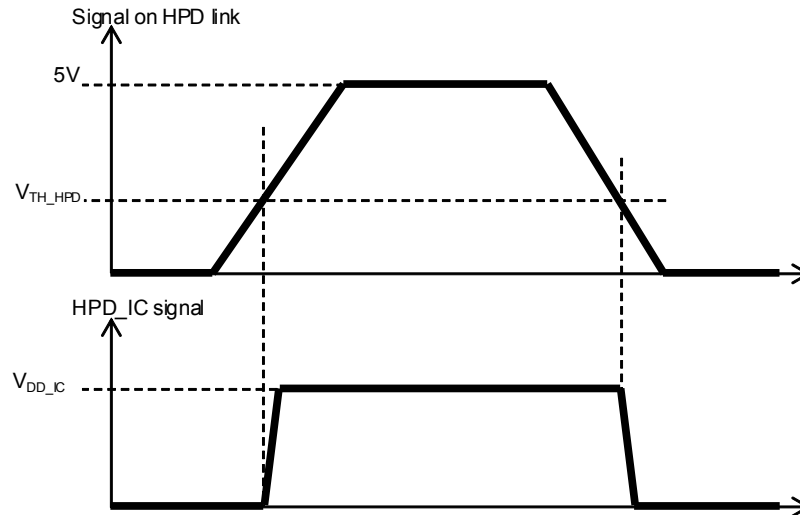
HPD line description

The HPD line is described in the HDMI standards as the hot plug detect function. This line is used by the source device in order to detect if a sink device is connected through an HDMI cable.

The integrated HPD block is pulling down the line via a current source. When the input voltage is detected to be higher than a threshold level, the signal is converted into a high state level on the ASIC side, at the voltage level of the ASIC power supply VDD_IC. Otherwise, CEC_IC pin remains in low state.

The electrical parameters relevant to the HPD block and specified by the [Table 6. HPD, HEAC, and utility line electrical characteristics](#) ($T_{amb} = 25\text{ }^{\circ}\text{C}$, $V_{DD_5V} = 5\text{ V}$, unless otherwise specified) are shown by the [Figure 6. Simplified view of the electrical parameters of the HPD block.](#)

Figure 6. Simplified view of the electrical parameters of the HPD block



HEAC link

The HEAC link is described in the HDMI 1.4 standards as the HDMI ethernet and audi return channel. It corresponds physically to one differential wired pair made of the Utility line and the HPD line. Two signals are transmitted through this link.

The first signal corresponds to the HDMI ethernet channel (HEC). The signal is transmitted in differential mode (bidirectional) through the HEAC link. It is specified by the 100Base-TX IEEE 802.3 standard (Fast Ethernet 100 Mbps over twisted pair). Therefore, the HEC integrates an ethernet link into the video cable, enabling IP-based applications over the HDMI cable.

The second signal corresponds to the audio return channel (ARC). The signal is transmitted in common mode (unidirectional, from sink to source) through the HEAC link. It is specified by the IEC 60958-1 standard. The ARC integrates an upstream audio capability, simplifying the cabling of the audiovisual equipment. It is no more necessary to use a coaxial cable from TV to audio amplifier.

The HDMI2C1-6C1 helps the designer to implement this high added value HEAC function in the application, protecting the link against the ESD with no disturbance of the signal. It provides 2 distinct outputs HEAC+ and HEAC- in order to ease as much as possible the PCB layout.

Note that HEAC- and HEAC+ must be kept Non Connected when unused (to avoid to connect to GND when unused).

2.4 +5 V protection and fault line

The +5 V power supply that the source device has to provide to the HDMI cable is described by the HDMI standard. It must be protected against accidental short circuit that could occur on the cable side.

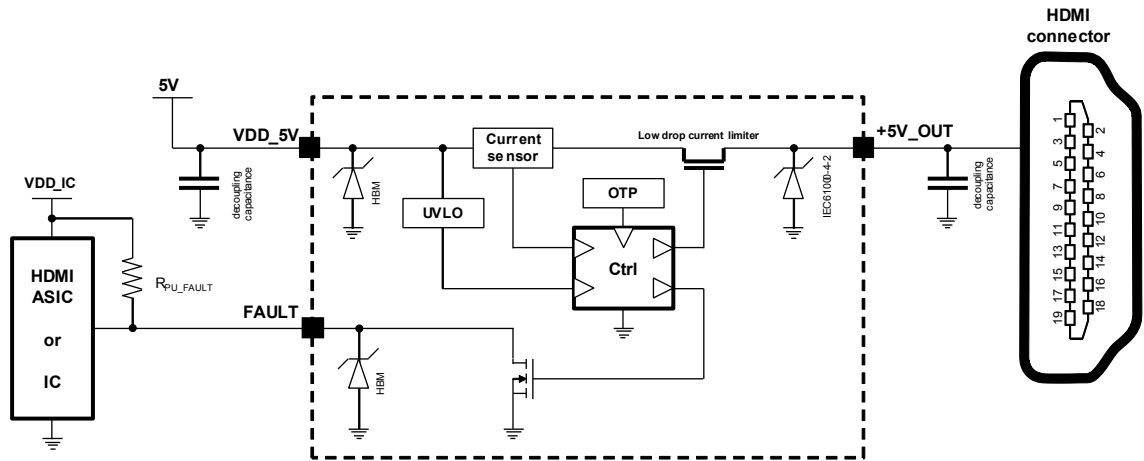
The HDMI2C1-6C1 device embeds a low drop current limiter. If an overcurrent is detected, the HDMI2C1-6C1 limits the current through the +5 V power supply. If the current is too high (short circuit), the device opens the +5V. Furthermore, the HDMI2C1-6C1 device embeds also an over temperature protection (OTP). If the internal temperature of the device is reaching a too high value, the +5 V supply is opened in order to protect the application.

In case either the current limiter or the OTP is triggered, a logic signal is sent over the Fault line in order to inform the HDMI ASIC that an abnormal situation has been detected (option).

An under voltage lockout (UVLO) is also integrated in the block. It checks the main +5 V power supply state, and enable the +5V_OUT only if the main power supply has reach a minimal value $V_{DD_5V_ON}$.

The Figure 7. 5 V link functional diagram shows the functional diagram of the current limiter block.

Figure 7. 5 V link functional diagram



To summarize, the short circuit protection and the over temperature protection features are providing a high robustness level of the application. On top of this, the fault line feature can be used in order to improve the user experience.

The 5V_OUT pin integrates also a protection against ESD which is compliant with IEC61000-4-2 standard, level 4 (8 kV contact). The decoupling capacitance is mandatory accordingly to the power management state of the art.

2.5 Application block diagrams

The Figure 8 shows an application block diagram proposal, with all possible options implemented.

The diagram shows that the CEC driver can be totally independent from the HDMI ASIC. By this way, even if the +5V power supply and/or if the HDMI ASIC is sleeping in stand-by mode, the CEC bus is still active in low power mode. By this way, the designer has then the tools to optimize the power consumption of the global application in stand-by mode, and in the same time, has the possibility to implement a smart wake-up through the CEC bus enhancing the final user experience.

Figure 8. Application block diagram

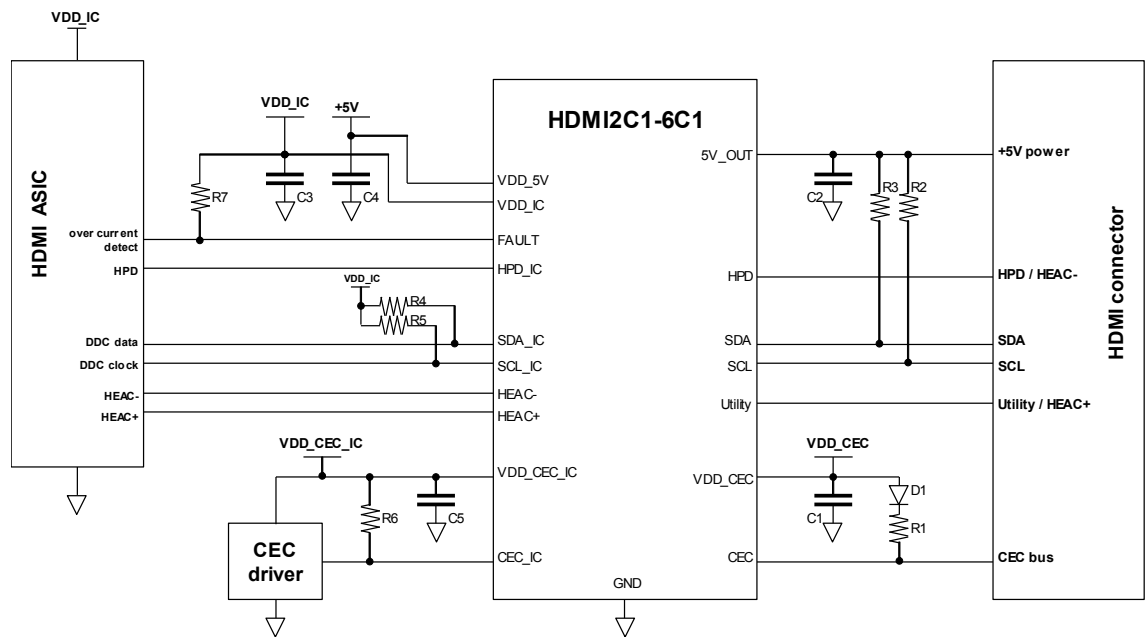
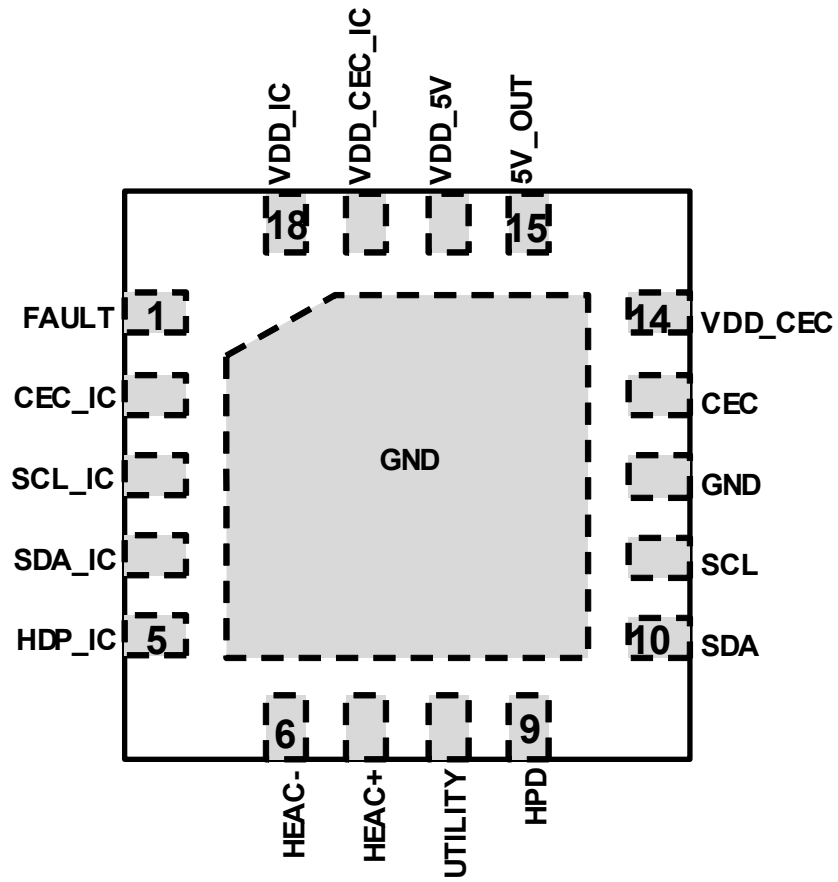


Table 1. External component recommendations

Ref.	Typical value	Comment
R1	27 kΩ	Pull-up resistance on CEC bus, specified by the HDMI standard
R2, R3	1.8 kΩ	Pull-up resistance on DDC bus, specified by the HDMI standard
R4, R5	10 kΩ	Pull-up resistance on DDC bus, ASIC side, value selected to be compliant with I2C levels
R6	270 kΩ to 1 MΩ	Pull-up resistance on CEC line, ASIC side.
R7	10 kΩ	Pull-up resistance on FAULT line (option)
D1	BAT54	Small Schottky diode blocking backdrive current flowing toward the VDD_CEC supply
C1 to C5	100 nF	Decoupling capacitance on power supplies

Note: SCL_IC, SDA_IC and CEC_IC have to be driven with an ASIC working with open drain outputs.

Figure 9. Pin numbering



3 Electrical characteristics

Table 2. Absolute maximum ratings (limiting values)

Symbol	Parameter	Test conditions	Value	Unit
V _{PP_BUS}	ESD discharge on HDMI cable side (pins 8 to 16) IEC 61000-4-2 level 4	Contact discharge	±8 ⁽¹⁾	kV
		Air discharge	±15	
V _{PP_IC}	ESD discharge (all pins) HBM -JESD22-A114D, level 2	Contact discharge	±2	kV
		Air discharge	±2	
T _{STG}	Storage temperature range		-55 to +150	°C
T _{OP}	Operating temperature range		-40 to +85	°C
T _L	Maximum lead temperature		260	°C
V _{DD_5V} , V _{DD_IC} , V _{DD_CEC} , V _{DD_CEC_IC}	Supply voltages		6	V
Inputs	Logical input min / max voltage range		-0.3 to 6	V

1. With a 1 µF low ESR capacitor connected to the 5V_OUT pin

Table 3. Power supply characteristics (T_{amb} = 25 °C)

Symbol	Parameter	Test conditions	Value			Unit
			Min.	Typ.	Max.	
V _{DD_CEC}	CEC supply voltage, bus side		2.97	3.3	3.63	V
V _{DD_CEC_IC}	CEC supply voltage, IC side		1.62		3.63	V
V _{DD_IC}	Low-voltage ASIC supply voltage		1.62		3.63	V
V _{DD_5V}	5 V input supply voltage range		4.9	5.0	5.3	kV
V _{DD_5V_ON} ⁽¹⁾	+5 V power on reset		3.5	3.8	4.1	°C
V _{DD_5V_ON}	CEC power on reset		2.6	2.8	2.95	V
I _{QS_5V}	Quiescent currents on V _{DD_5V} , V _{DD_IC} , V _{DD_CEC} , V _{DD_CEC_IC}	V _{DD_5V} = 5 V, V _{DD_IC} = 1.8 V, V _{DD_CEC} = 3.3 V, V _{DD_CEC_IC} = 1.8 V, idle-state on CEC and DDC links, HPD and 5V_OUT links open			600	µA
I _{QS_IC}					75	
I _{QS_CEC}					200	
I _{QS_CEC_IC}					40	
R _{th}	Junction to ambient thermal resistance	Copper heatsink as shown by Figure 15		70		°C/W
T _{SD}	Thermal Shutdown threshold		120		150	°C
P _{TOTAL_SB}	Standby conditions	V _{DD_5V} = V _{DD_IC} = 0 V, V _{DD_CEC} = 3.3 V, V _{DD_CEC_IC} = 3.3 V			0.8	mW

1. In order to activate the DDC lines functional block the 3 following conditions have to be met:

- V_{DD_5V} has to reach the V_{DD_ON} threshold
- The inputs and outputs of the bidirectional level shifters must be set to a high level after the power-on
- The HPD line has to be activated one time

Table 4. CEC electrical characteristics ($T_{amb} = 25\text{ }^{\circ}\text{C}$, $V_{DD_CEC} = 3.3\text{ V}$, $V_{DD_CEC_IC} = 1.8\text{ V}$, unless otherwise specified)

Symbol	Parameter	Test conditions	Value			Unit
			Min.	Typ.	Max.	
V_{Tup_CEC}	Upward input voltage threshold on bus side				2.0	V
V_{Tdown_CEC}	Downward input voltage threshold on bus side		0.8			V
V_{HYST_CEC}	Input hysteresis on bus side			0.4		V
T_{RISE_CEC}	Output rise-time (10% to 90%)	$R_{UP_CEC} = 14.1\text{ k}\Omega^{(1)}$, $C_{CEC_CABLE} = 7.9\text{ nF}^{(1)}$			250	μs
T_{FALL_CEC}	Output fall-time (90% to 10%)				50	μs
I_{OFF_CEC}	Leakage current in powered-off state	$V_{DD_5V} = 0\text{ V}$, $V_{DD_IC} = 0\text{ V}$, $V_{DD_CEC} = 3.3\text{ V}$			1.8	μA
$V_{IL_CEC_IC}$	Input low level on IC side		0.5			V
$V_{IH_CEC_IC}$	Input high level on IC side	$V_{DD_CEC_IC} = 1.8\text{ V}$			1.5	V
		$V_{DD_CEC_IC} = 3.3\text{ V}$			1.9	V
R_{ON_CEC}	On resistance across CEC and CEC_IC pins	CEC pin to 0 V			100	Ω
C_{IN_CEC}	Input capacitance on CEC link	$V_{DD_5V} = 0\text{ V}$, $V_{DD_CEC} = 0\text{ V}$, $V_{DD_IC} = 0\text{ V}$, $V_{BIAS} = 0\text{ V}$, $f = 1\text{ MHz}$, $V_{OSC} = 30\text{ mV}$		25	30 ⁽²⁾	pF

- Test conditions are compliant with worst case CEC specification:
 - Correspond to two 27 k Ω +5% pull-up resistances in parallel (compliant with HDMI CTS)
 - Max capacitance corresponding to 9 equipment chained on the CEC bus
- Maximum capacitance allowed at connector output is 200 pF in HDMI 1.4 specification

Table 5. HDMI 5V_OUT current limiter electrical characteristics ($T_{amb} = 25\text{ }^{\circ}\text{C}$, $V_{DD_5V} = 5\text{ V}$, unless otherwise specified)

Symbol	Parameter	Test conditions	Value			Unit
			Min.	Typ.	Max.	
V_{DROP}	Drop-out voltage	$I_{5V_OUT} = 55\text{ mA}$	20	50	95 ⁽¹⁾	mV
I_{5V_OUT}	Output current	$V_{5V_OUT} = 0\text{ V}$	55		115 ⁽²⁾	mA
V_{L_FAULT}	Low level on FAULT pin	$R_{PU_FAULT} = 10\text{ k}\Omega$			0.3	V

- HDMI 1.4 specification requires a maximum of 100mV voltage-drop
- Maximum allowed output current is 500 mA when a sink is powered off in HDMI 1.4 specification

Table 6. HPD, HEAC, and utility line electrical characteristics ($T_{amb} = 25\text{ }^{\circ}\text{C}$, $V_{DD_5V} = 5\text{ V}$, unless otherwise specified)

Symbol	Parameter	Test conditions	Value			Unit
			Min.	Typ.	Max.	
I_{PULL_DOWN}	Pull-down current in HPD block			15	25	μA
V_{TH_HPD}	HPD input low-level		1.0		1.7	V
C_{IN_HPD} $C_{IN_Utility}$	Input capacitance	$V_{DD_5V} = 0\text{ V}$, $V_{BIAS} = 0\text{ V}$, $f = 1\text{ MHz}$, $V_{OSC} = 30\text{ mV}$		21	25	pF
f_{CUT_HEAC}	Cut-off frequency of HEAC bus	Single ended mode		200		

Table 7. DDC bus (SDA and SCL) line electrical characteristics ($T_{amb} = 25\text{ }^{\circ}\text{C}$, $V_{DD_5V} = 5\text{ V}$, $V_{DD_IC} = 1.8\text{ V}$, unless otherwise specified)

Symbol	Parameter	Test conditions	Value			Unit
			Min.	Typ.	Max.	
V_{Tup_BUS}	Upward input voltage threshold on bus side				3.5	V
V_{Tdown_BUS}	Downward input voltage threshold on bus side		1.5			V
V_{HYST_BUS}	Input hysteresis on bus side		1.0		1.3	V
V_{OL_BUS}		Current sunk by SDA pin is 3 mA			0.35	V
T_{RISE_BUS}	Output rise-time (30%-70%)	$C_{BUS} = 750\text{ pF}^{(1)}$, $R_{UP} = 2\text{ k}\Omega // 47\text{ k}\Omega + 10\%^{(2)}$			500	ns
T_{FALL_BUS}	Output fall-time (70%-30%)				50	ns
V_{Tup_IC}	Upward input voltage threshold on IC side		55	60	65	$\%V_{DD_IC}$
V_{Tdown_IC}	Downward input voltage threshold on IC side		35	40	45	$\%V_{DD_IC}$
V_{OL_IC}	Output low-level on IC side	Current sunk by SDA_IC pin, SCL_IC pins is 500 μA			20	$\%V_{DD_IC}$
C_{IN_DDC}	Input capacitance on DDC link	$V_{DD_5V} = 0\text{ V}$, $V_{DD_IC} = 0\text{ V}$, $V_{DD_CEC} = 0\text{ V}$, $V_{BIAS} = 0\text{ V}$, $f = 1\text{ MHz}$, $V_{OSC} = 30\text{ mV}$		27	32 ⁽³⁾	

1. Maximum load capacitance allowed on I2C entire link (cable plus connector) is 750pF in HDMI 1.4 specification.
2. Two pull-up resistors in parallel (sink 47 k Ω + source 2 k Ω).
3. Maximum capacitance allowed at connector output is 50pF in HDMI 1.4 specification

Figure 10. CEC typical waveforms (IC to cable communication)

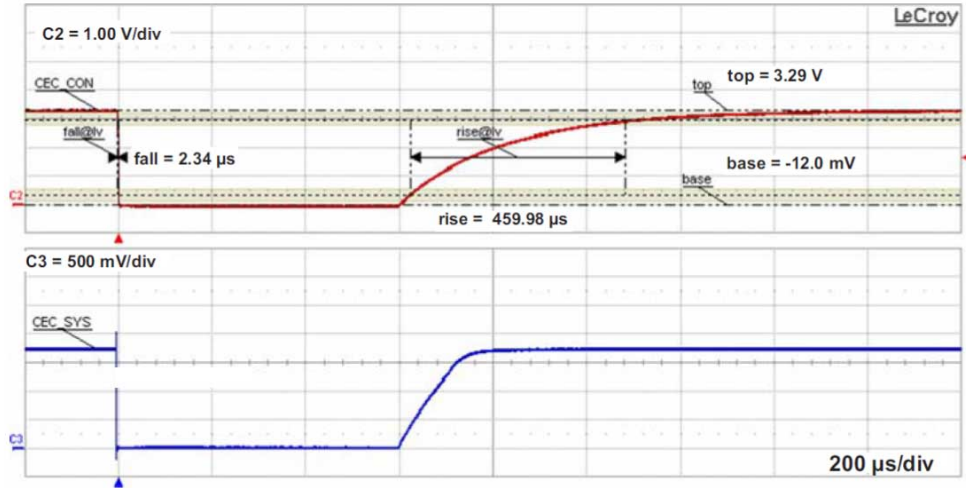


Figure 11. CEC typical waveforms (IC to cable communication)

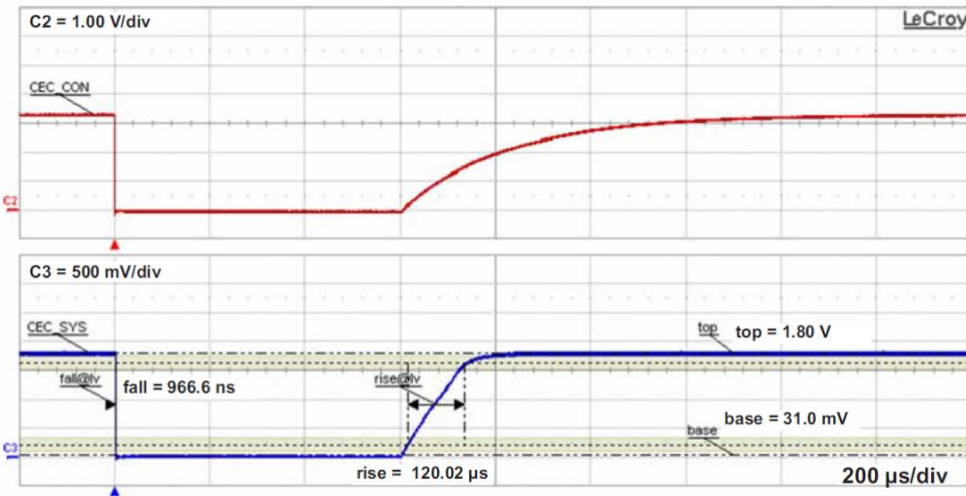


Figure 12. DDC typical waveforms (IC to cable communication)

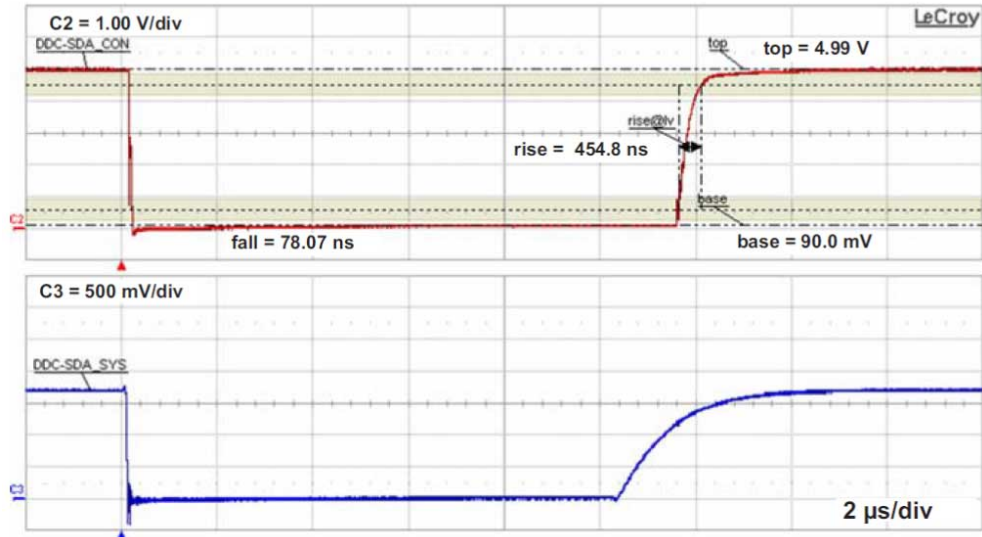


Figure 13. DDC typical waveforms (Cable to IC communication)

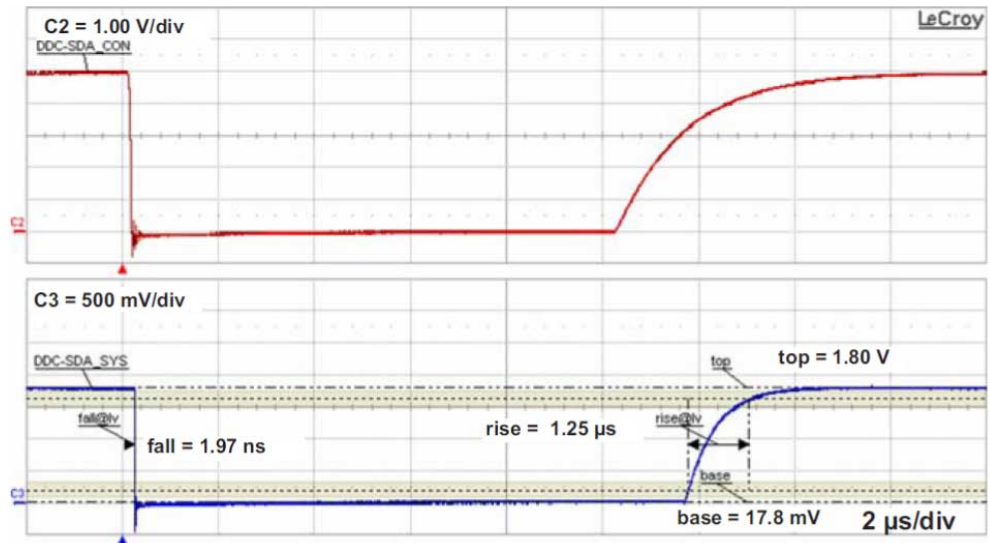


Figure 14. HPD typical waveform (Timing)

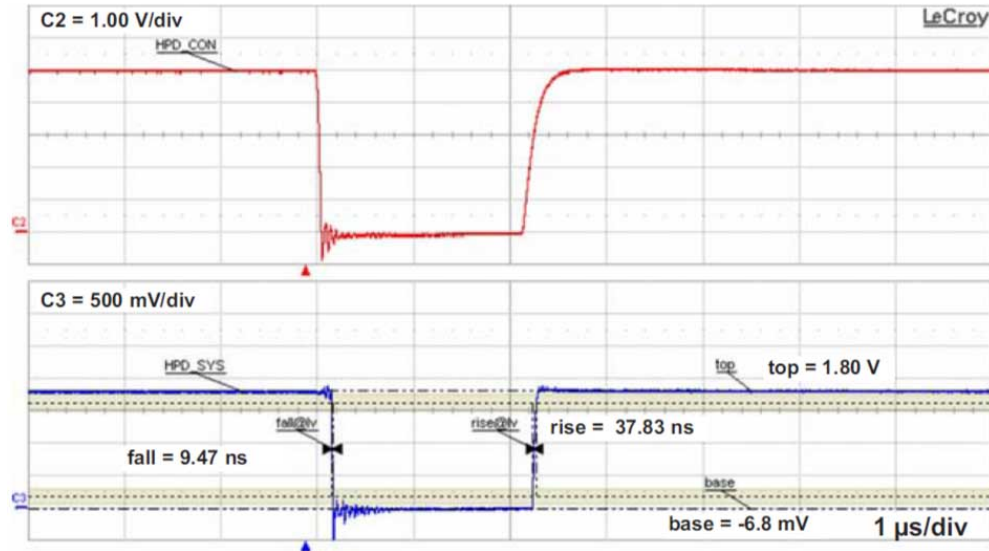
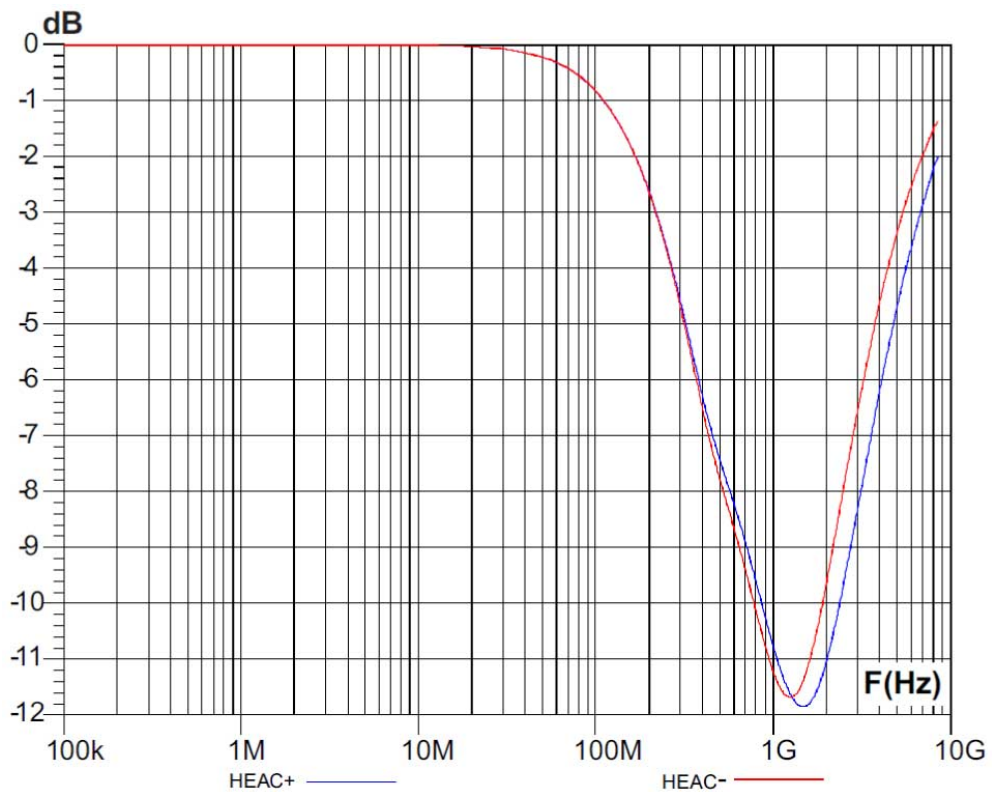


Figure 15. HEAC single ended mode typical waveform



4 Package information

In order to meet environmental requirements, ST offers these devices in different grades of **ECOPACK** packages, depending on their level of environmental compliance. ECOPACK specifications, grade definitions and product status are available at: www.st.com. ECOPACK is an ST trademark.

4.1 QFN package information

Figure 16. QFN package outline

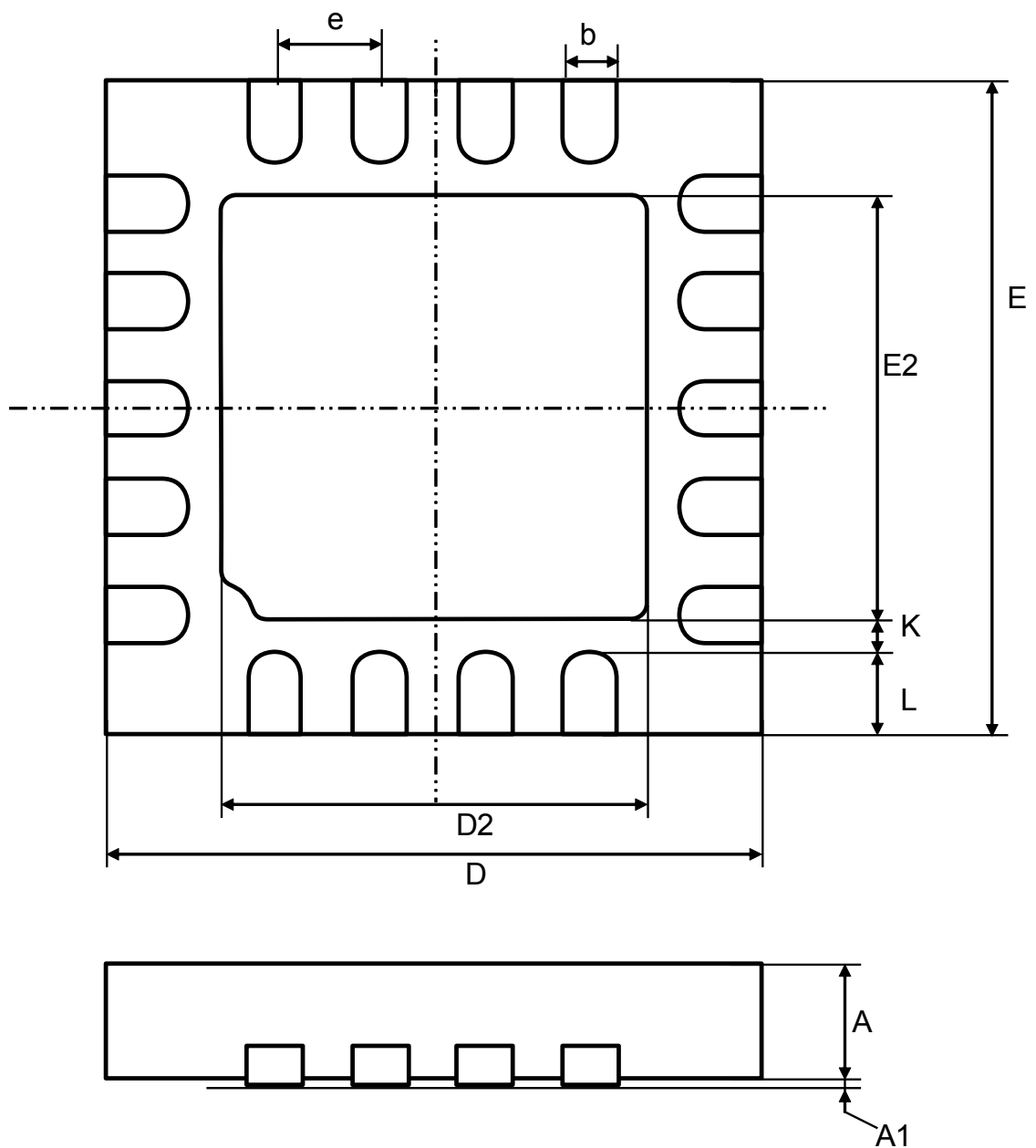
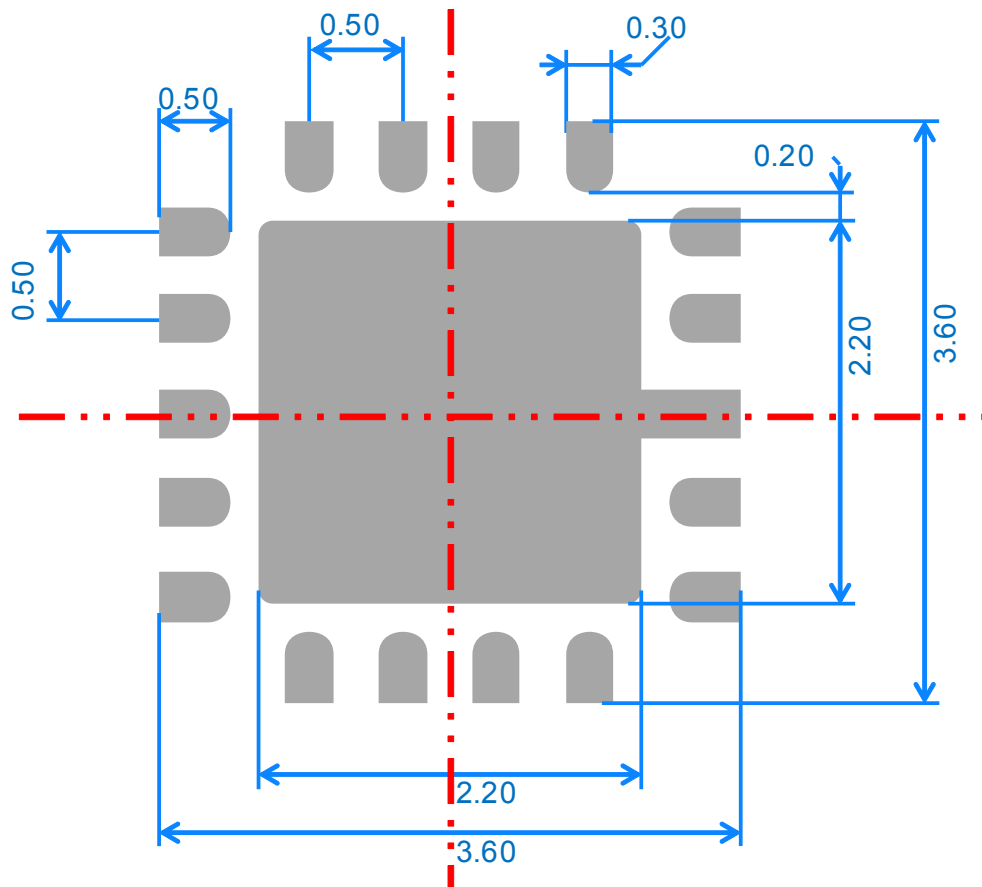


Table 8. 0201 package mechanical data

Ref.	Dimensions		
	Millimeters		
	Min.	Typ.	Max.
A	0.51	0.55	0.60
A1	0.00	0.02	0.05
b	0.18	0.25	0.30
D		3.50	
D2	1.99	2.14	2.24
E		3.50	
E2	1.99	2.14	2.24
e		0.50	
L	0.30	0.40	0.50
K	0.20		

Figure 17. QFN footprint recommendation (dimensions in mm)



5 Ordering information

Figure 18. Ordering information scheme

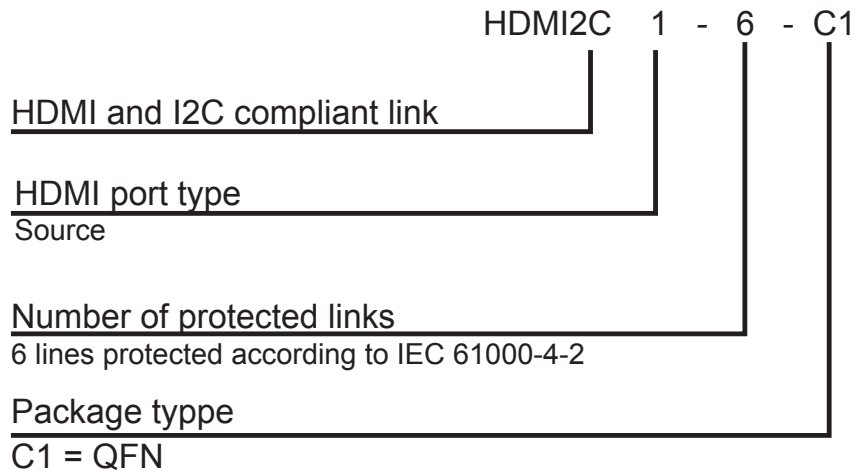


Table 9. Ordering information

Order code	Marking	Package	Weight	Base qty.	Delivery mode
HDMI2C1-6C1	tbd	QFN	tbd	tbd	tbd

Note: More information is available in AN2348 application note :

- *STMicroelectronics 400 micro-meter Flip Chip: package description and recommendation for use*

Revision history

Table 10. Document revision history

Date	Revision	Changes
25-Jul-2014	1	Initial release.
10-Aug-2018	2	Minor text changes to improve readability.
15-May-2019	3	Updated Figure 18 .

IMPORTANT NOTICE – PLEASE READ CAREFULLY

STMicroelectronics NV and its subsidiaries (“ST”) reserve the right to make changes, corrections, enhancements, modifications, and improvements to ST products and/or to this document at any time without notice. Purchasers should obtain the latest relevant information on ST products before placing orders. ST products are sold pursuant to ST’s terms and conditions of sale in place at the time of order acknowledgement.

Purchasers are solely responsible for the choice, selection, and use of ST products and ST assumes no liability for application assistance or the design of Purchasers’ products.

No license, express or implied, to any intellectual property right is granted by ST herein.

Resale of ST products with provisions different from the information set forth herein shall void any warranty granted by ST for such product.

ST and the ST logo are trademarks of ST. For additional information about ST trademarks, please refer to www.st.com/trademarks. All other product or service names are the property of their respective owners.

Information in this document supersedes and replaces information previously supplied in any prior versions of this document.

© 2019 STMicroelectronics – All rights reserved