

SN54AS250A, SN74AS250A 1-OF-16 DATA GENERATORS/MULTIPLEXERS WITH 3-STATE OUTPUTS

SDAS137A – DECEMBER 1983 – REVISED DECEMBER 1994

- 4-Line to 1-Line Multiplexers That Can Select 1-of-16 Data Inputs
- Applications:
 - Boolean Function Generator
 - Parallel-to-Serial Converter
 - Data Source Selector
- Buffered 3-State Bus Driver Inputs Permit Multiplexing From n Lines to One Line
- Package Options Include Plastic Small-Outline (DW) Packages, Ceramic Chip Carriers (FK), and Standard Plastic (NT) and Ceramic (JT) 300-mil DIPs

description

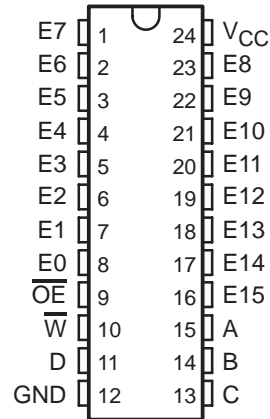
The 'AS250A devices provide full binary decoding to select 1-of-16 data inputs or use sources as an input with an inverting \overline{W} output. The selected sources are buffered with symmetrical propagation delay times. This reduces the possibility of transients occurring at the output.

A buffered output-enable (\overline{OE}) input can be used for n-line to 1-line cascading. Taking \overline{OE} high places the output in the high-impedance state. In the high-impedance state, the output neither loads nor drives the bus lines significantly.

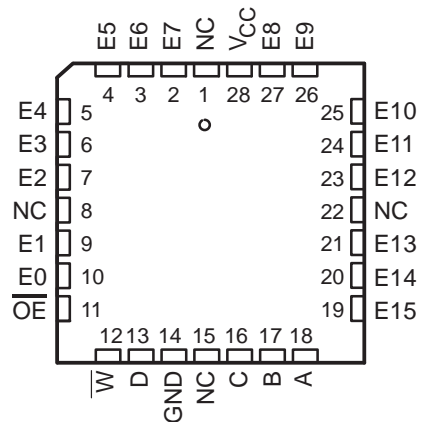
\overline{OE} does not affect the internal operations of the data selector/multiplexer. New data can be set up while the outputs are disabled.

The SN54AS250A is characterized for operation over the full military temperature range of -55°C to 125°C . The SN74AS250A is characterized for operation from 0°C to 70°C .

SN54AS250A . . . JT PACKAGE
SN74AS250A . . . DW OR NT PACKAGE
(TOP VIEW)



SN54AS250A . . . FK PACKAGE
(TOP VIEW)



NC – No internal connection

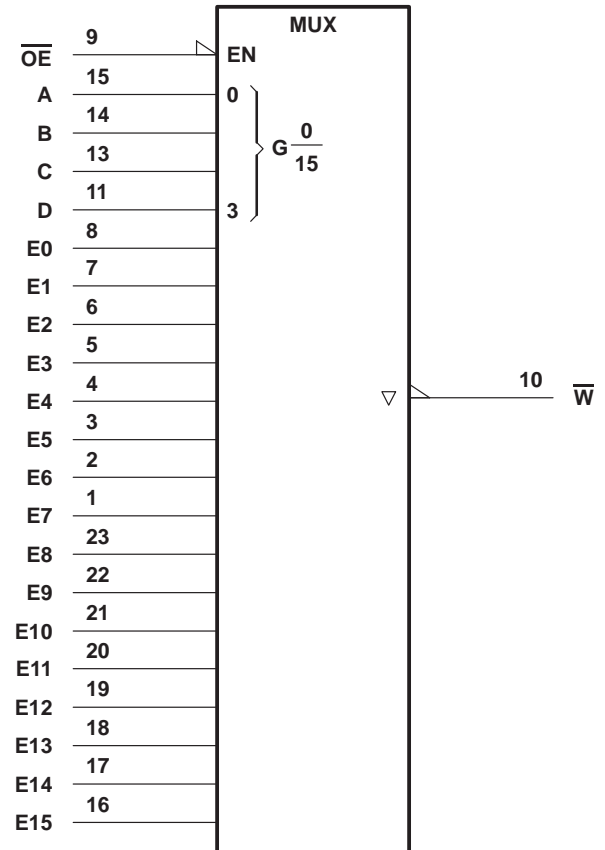
SN54AS250A, SN74AS250A 1-OF-16 DATA GENERATORS/MULTIPLEXERS WITH 3-STATE OUTPUTS

SDAS137A - DECEMBER 1983 - REVISED DECEMBER 1994

FUNCTION TABLE

\overline{OE}	INPUTS					Ei	OUTPUT \overline{W}
	A	B	C	D			
L	L	L	L	L		E0	$\overline{E0}$
L	H	L	L	L		E1	$\overline{E1}$
L	L	H	L	L		E2	$\overline{E2}$
L	H	H	L	L		E3	$\overline{E3}$
L	L	L	H	L		E4	$\overline{E4}$
L	H	L	H	L		E5	$\overline{E5}$
L	L	H	H	L		E6	$\overline{E6}$
L	H	H	H	L		E7	$\overline{E7}$
L	L	L	L	H		E8	$\overline{E8}$
L	H	L	L	H		E9	$\overline{E9}$
L	L	H	L	H		E10	$\overline{E10}$
L	H	H	L	H		E11	$\overline{E11}$
L	L	L	H	H		E12	$\overline{E12}$
L	H	L	H	H		E13	$\overline{E13}$
L	L	H	H	H		E14	$\overline{E14}$
L	H	H	H	H		E15	$\overline{E15}$
H	X	X	X	X		X	Z

logic symbol†



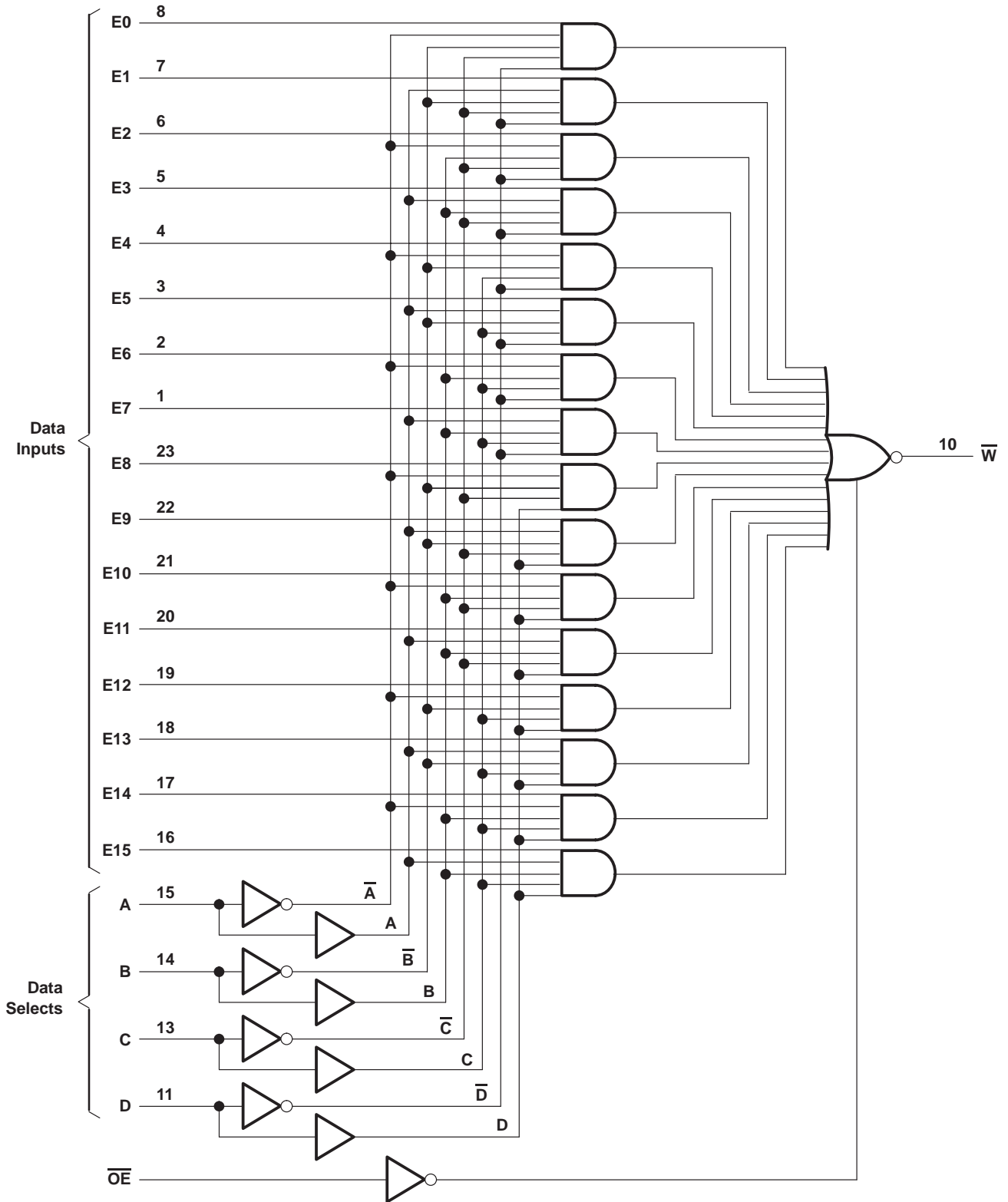
† This symbol is in accordance with ANSI/IEEE Std 91-1984 and IEC Publication 617-12.

Pin numbers shown are for the DW, JT, and NT packages.

SN54AS250A, SN74AS250A 1-OF-16 DATA GENERATORS/MULTIPLEXERS WITH 3-STATE OUTPUTS

SDAS137A – DECEMBER 1983 – REVISED DECEMBER 1994

logic diagram (positive logic)



Pin numbers shown are for the DW, JT, and NT packages.



SN54AS250A, SN74AS250A 1-OF-16 DATA GENERATORS/MULTIPLEXERS WITH 3-STATE OUTPUTS

SDAS137A – DECEMBER 1983 – REVISED DECEMBER 1994

absolute maximum ratings over operating free-air temperature range (unless otherwise noted)†

Supply voltage, V_{CC}	7 V
Input voltage, V_I	7 V
Operating free-air temperature range, T_A : SN54AS250A	-55°C to 125°C
SN74AS250A	0°C to 70°C
Storage temperature range	-65°C to 150°C

† Stresses beyond those listed under “absolute maximum ratings” may cause permanent damage to the device. These are stress ratings only, and functional operation of the device at these or any other conditions beyond those indicated under “recommended operating conditions” is not implied. Exposure to absolute-maximum-rated conditions for extended periods may affect device reliability.

recommended operating conditions

		SN54AS250A			SN74AS250A			UNIT
		MIN	NOM	MAX	MIN	NOM	MAX	
V_{CC}	Supply voltage	4.5	5	5.5	4.5	5	5.5	V
V_{IH}	High-level input voltage	2			2			V
V_{IL}	Low-level input voltage			0.8			0.8	V
I_{OH}	High-level output current			-12			-15	mA
I_{OL}	Low-level output current			32			48	mA
T_A	Operating free-air temperature	-55		125	0		70	°C

electrical characteristics over recommended operating free-air temperature range (unless otherwise noted)

PARAMETER	TEST CONDITIONS	SN54AS250A			SN74AS250A			UNIT
		MIN	TYP‡	MAX	MIN	TYP‡	MAX	
V_{IK}	$V_{CC} = 4.5\text{ V}$, $I_I = -18\text{ mA}$			-1.2			-1.2	V
V_{OH}	$V_{CC} = 4.5\text{ V to }5.5\text{ V}$, $I_{OH} = -2\text{ mA}$	$V_{CC} - 2$			$V_{CC} - 2$			V
	$V_{CC} = 4.5\text{ V}$		2.4	3.3		2.4	3.3	
V_{OL}	$V_{CC} = 4.5\text{ V}$		0.35	0.5		0.35	0.5	V
		$I_{OL} = 32\text{ mA}$						
I_{OZH}	$V_{CC} = 5.5\text{ V}$, $V_O = 2.7\text{ V}$			50			50	μA
I_{OZL}	$V_{CC} = 5.5\text{ V}$, $V_O = 0.4\text{ V}$			-50			-50	μA
I_I	$V_{CC} = 5.5\text{ V}$, $V_I = 7\text{ V}$			0.1			0.1	mA
I_{IH}	$V_{CC} = 5.5\text{ V}$, $V_I = 2.7\text{ V}$			20			20	μA
I_{IL}	$V_{CC} = 5.5\text{ V}$, $V_I = 0.4\text{ V}$			-0.5			-0.5	mA
I_O^{\S}	$V_{CC} = 5.5\text{ V}$, $V_O = 2.25\text{ V}$	-30		-112	-30		-112	mA
I_{CC}	$V_{CC} = 5.5\text{ V}$		26	42		26	42	mA
		Outputs high						
		Outputs low		31	50		31	
			30	48		30	48	

‡ All typical values are at $V_{CC} = 5\text{ V}$, $T_A = 25^\circ\text{C}$.

§ The output conditions have been chosen to produce a current that closely approximates one half of the true short-circuit output current, I_{OS} .



SN54AS250A, SN74AS250A 1-OF-16 DATA GENERATORS/MULTIPLEXERS WITH 3-STATE OUTPUTS

SDAS137A – DECEMBER 1983 – REVISED DECEMBER 1994

switching characteristics (see Figure 1)

PARAMETER	FROM (INPUT)	TO (OUTPUT)	V _{CC} = 4.5 V to 5.5 V, C _L = 50 pF, R ₁ = 500 Ω, R ₂ = 500 Ω, T _A = MIN to MAX†				UNIT
			SN54AS250A		SN74AS250A		
			MIN	MAX	MIN	MAX	
t _{PLH}	Data	\overline{W}	2	9.5	2	8	ns
t _{PHL}			2	8.5	2	7	
t _{PLH}	A, B, C, D	\overline{W}	4	15.5	4	13	ns
t _{PHL}			4	12	4	10.5	
t _{PZH}	\overline{OE}	\overline{W}	2	7.5	2	7	ns
t _{PZL}			2	10	2	9	
t _{PHZ}	\overline{OE}	\overline{W}	1.5	6.5	1.5	6	ns
t _{PLZ}			2	8.5	2	6.5	

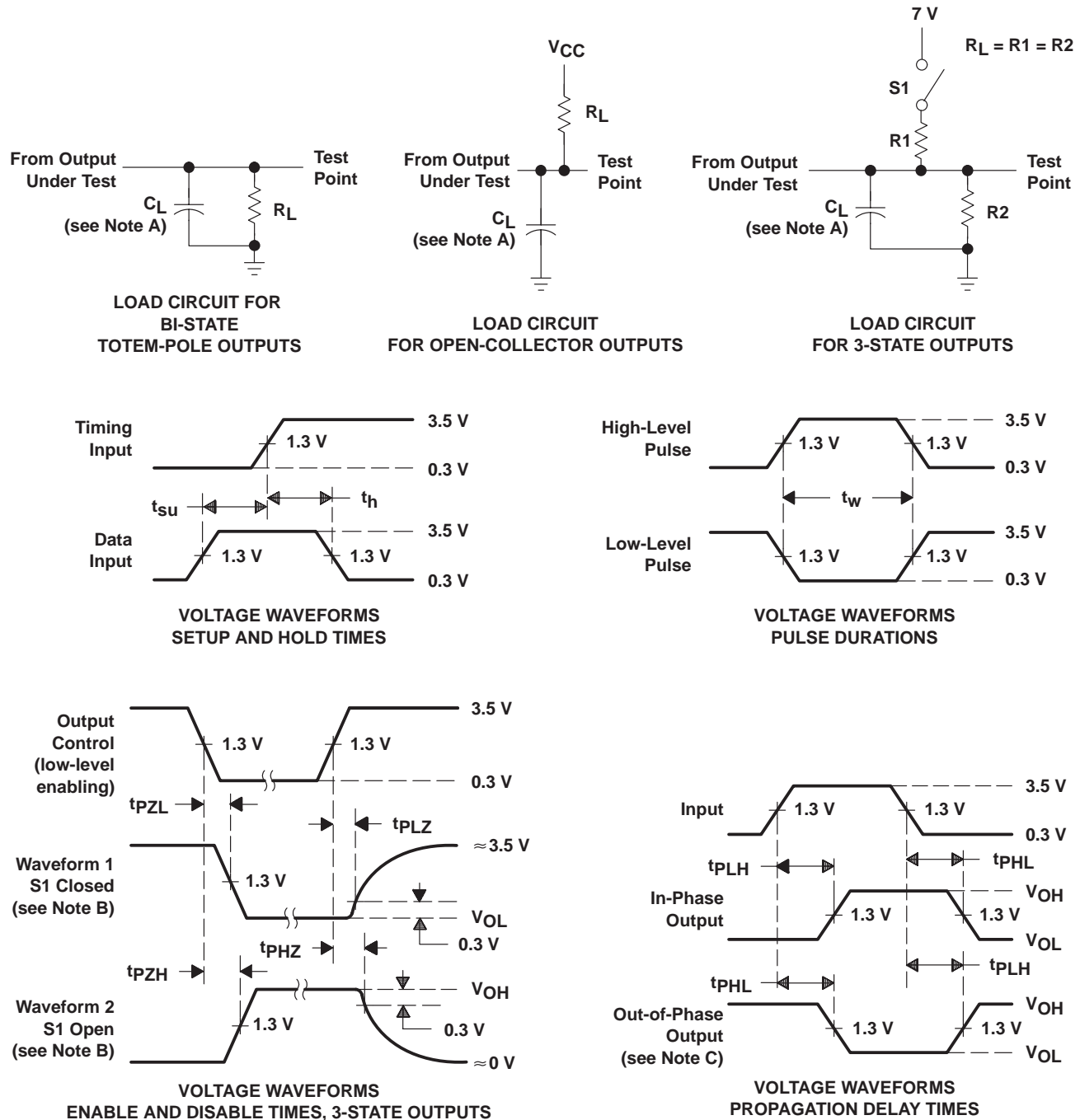
† For conditions shown as MIN or MAX, use the appropriate value specified under recommended operating conditions.



SN54AS250A, SN74AS250A 1-OF-16 DATA GENERATORS/MULTIPLEXERS WITH 3-STATE OUTPUTS

SDAS137A – DECEMBER 1983 – REVISED DECEMBER 1994



PARAMETER MEASUREMENT INFORMATION SERIES 54ALS/74ALS AND 54AS/74AS DEVICES



- NOTES: A. C_L includes probe and jig capacitance.
 B. Waveform 1 is for an output with internal conditions such that the output is low except when disabled by the output control. Waveform 2 is for an output with internal conditions such that the output is high except when disabled by the output control.
 C. When measuring propagation delay items of 3-state outputs, switch S1 is open.
 D. All input pulses have the following characteristics: $PRR \leq 1$ MHz, $t_r = t_f = 2$ ns, duty cycle = 50%.
 E. The outputs are measured one at a time with one transition per measurement.

Figure 1. Load Circuits and Voltage Waveforms

PACKAGING INFORMATION

Orderable Device	Status (1)	Package Type	Package Drawing	Pins	Package Qty	Eco Plan (2)	Lead finish/ Ball material (6)	MSL Peak Temp (3)	Op Temp (°C)	Device Marking (4/5)	Samples
5962-9056201LA	ACTIVE	CDIP	JT	24	1	Non-RoHS & Green	SNPB	N / A for Pkg Type	-55 to 125	5962-9056201LA SNJ54AS250AJT	
SNJ54AS250AJT	ACTIVE	CDIP	JT	24	1	Non-RoHS & Green	SNPB	N / A for Pkg Type	-55 to 125	5962-9056201LA SNJ54AS250AJT	

(1) The marketing status values are defined as follows:

ACTIVE: Product device recommended for new designs.

LIFEBUY: TI has announced that the device will be discontinued, and a lifetime-buy period is in effect.

NRND: Not recommended for new designs. Device is in production to support existing customers, but TI does not recommend using this part in a new design.

PREVIEW: Device has been announced but is not in production. Samples may or may not be available.

OBSOLETE: TI has discontinued the production of the device.

(2) **RoHS:** TI defines "RoHS" to mean semiconductor products that are compliant with the current EU RoHS requirements for all 10 RoHS substances, including the requirement that RoHS substance do not exceed 0.1% by weight in homogeneous materials. Where designed to be soldered at high temperatures, "RoHS" products are suitable for use in specified lead-free processes. TI may reference these types of products as "Pb-Free".

RoHS Exempt: TI defines "RoHS Exempt" to mean products that contain lead but are compliant with EU RoHS pursuant to a specific EU RoHS exemption.

Green: TI defines "Green" to mean the content of Chlorine (Cl) and Bromine (Br) based flame retardants meet JS709B low halogen requirements of <=1000ppm threshold. Antimony trioxide based flame retardants must also meet the <=1000ppm threshold requirement.

(3) MSL, Peak Temp. - The Moisture Sensitivity Level rating according to the JEDEC industry standard classifications, and peak solder temperature.

(4) There may be additional marking, which relates to the logo, the lot trace code information, or the environmental category on the device.

(5) Multiple Device Markings will be inside parentheses. Only one Device Marking contained in parentheses and separated by a "~" will appear on a device. If a line is indented then it is a continuation of the previous line and the two combined represent the entire Device Marking for that device.

(6) Lead finish/Ball material - Orderable Devices may have multiple material finish options. Finish options are separated by a vertical ruled line. Lead finish/Ball material values may wrap to two lines if the finish value exceeds the maximum column width.

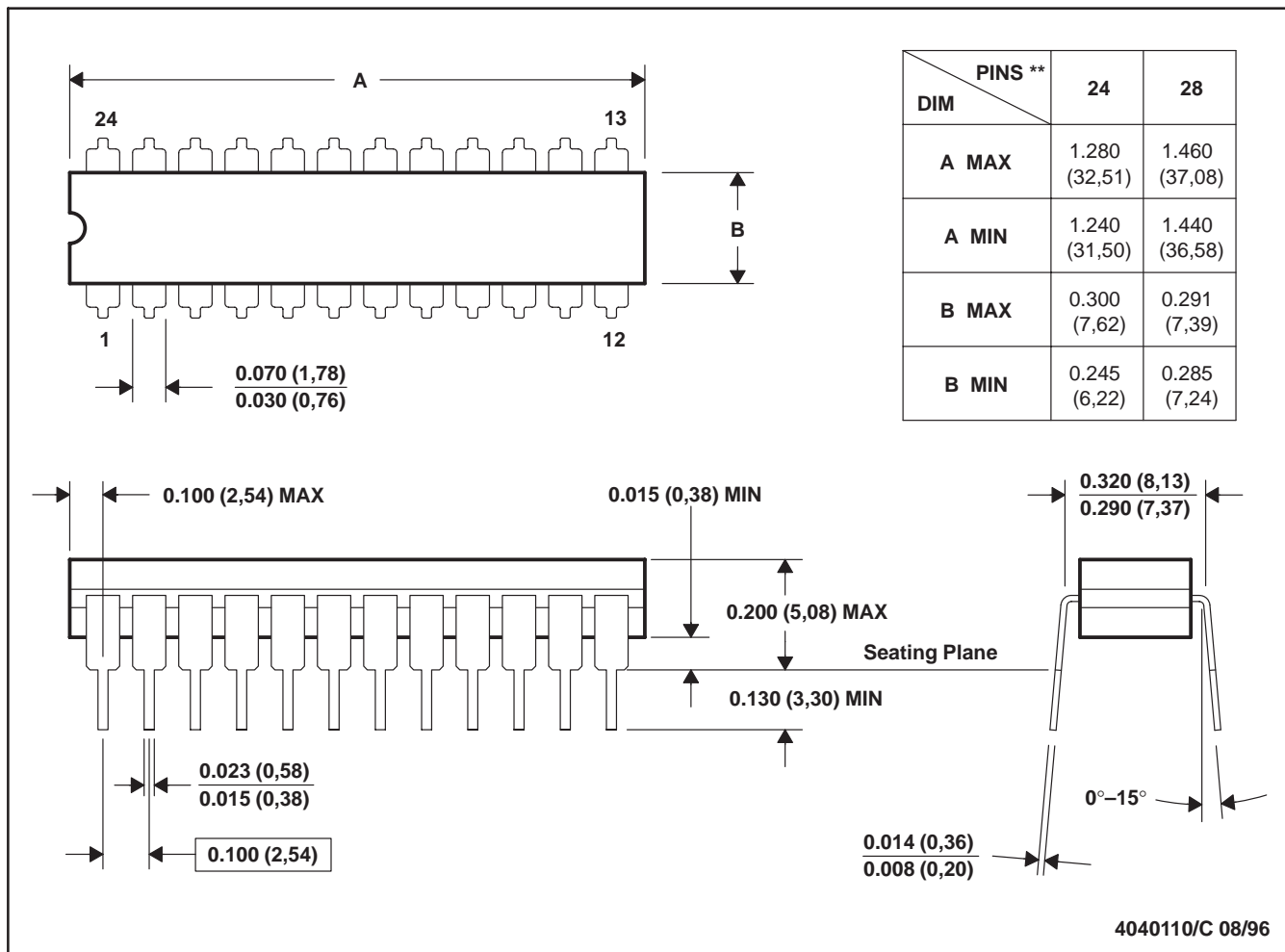
Important Information and Disclaimer:The information provided on this page represents TI's knowledge and belief as of the date that it is provided. TI bases its knowledge and belief on information provided by third parties, and makes no representation or warranty as to the accuracy of such information. Efforts are underway to better integrate information from third parties. TI has taken and continues to take reasonable steps to provide representative and accurate information but may not have conducted destructive testing or chemical analysis on incoming materials and chemicals. TI and TI suppliers consider certain information to be proprietary, and thus CAS numbers and other limited information may not be available for release.

In no event shall TI's liability arising out of such information exceed the total purchase price of the TI part(s) at issue in this document sold by TI to Customer on an annual basis.

JT (R-GDIP-T**)

CERAMIC DUAL-IN-LINE

24 LEADS SHOWN



- NOTES: A. All linear dimensions are in inches (millimeters).
 B. This drawing is subject to change without notice.
 C. This package can be hermetically sealed with a ceramic lid using glass frit.
 D. Index point is provided on cap for terminal identification.
 E. Falls within MIL STD 1835 GDIP3-T24, GDIP4-T28, and JEDEC MO-058 AA, MO-058 AB

IMPORTANT NOTICE AND DISCLAIMER

TI PROVIDES TECHNICAL AND RELIABILITY DATA (INCLUDING DATASHEETS), DESIGN RESOURCES (INCLUDING REFERENCE DESIGNS), APPLICATION OR OTHER DESIGN ADVICE, WEB TOOLS, SAFETY INFORMATION, AND OTHER RESOURCES "AS IS" AND WITH ALL FAULTS, AND DISCLAIMS ALL WARRANTIES, EXPRESS AND IMPLIED, INCLUDING WITHOUT LIMITATION ANY IMPLIED WARRANTIES OF MERCHANTABILITY, FITNESS FOR A PARTICULAR PURPOSE OR NON-INFRINGEMENT OF THIRD PARTY INTELLECTUAL PROPERTY RIGHTS.

These resources are intended for skilled developers designing with TI products. You are solely responsible for (1) selecting the appropriate TI products for your application, (2) designing, validating and testing your application, and (3) ensuring your application meets applicable standards, and any other safety, security, or other requirements. These resources are subject to change without notice. TI grants you permission to use these resources only for development of an application that uses the TI products described in the resource. Other reproduction and display of these resources is prohibited. No license is granted to any other TI intellectual property right or to any third party intellectual property right. TI disclaims responsibility for, and you will fully indemnify TI and its representatives against, any claims, damages, costs, losses, and liabilities arising out of your use of these resources.

TI's products are provided subject to TI's Terms of Sale (<https://www.ti.com/legal/termsofsale.html>) or other applicable terms available either on [ti.com](https://www.ti.com) or provided in conjunction with such TI products. TI's provision of these resources does not expand or otherwise alter TI's applicable warranties or warranty disclaimers for TI products.

Mailing Address: Texas Instruments, Post Office Box 655303, Dallas, Texas 75265
Copyright © 2021, Texas Instruments Incorporated