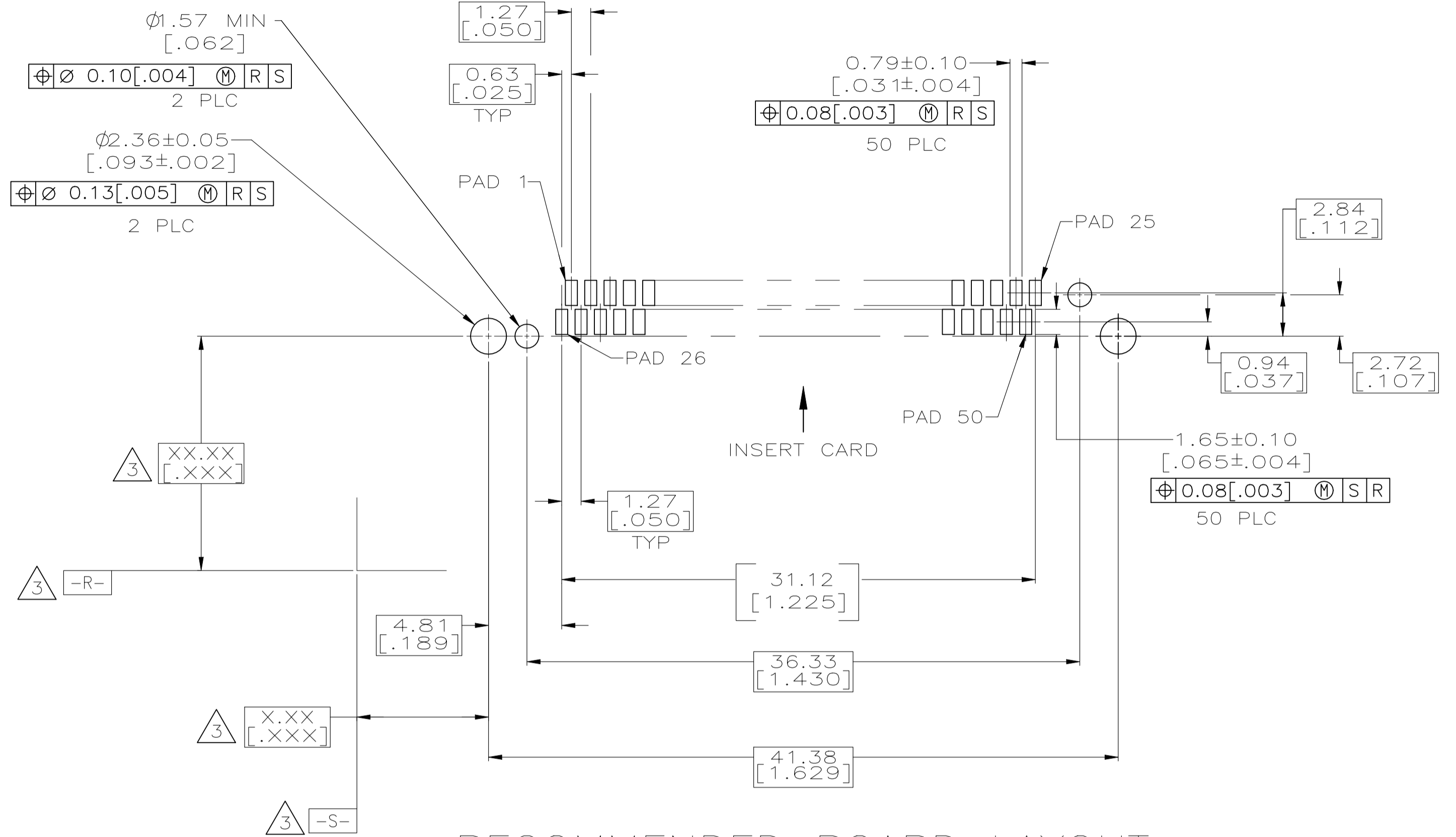
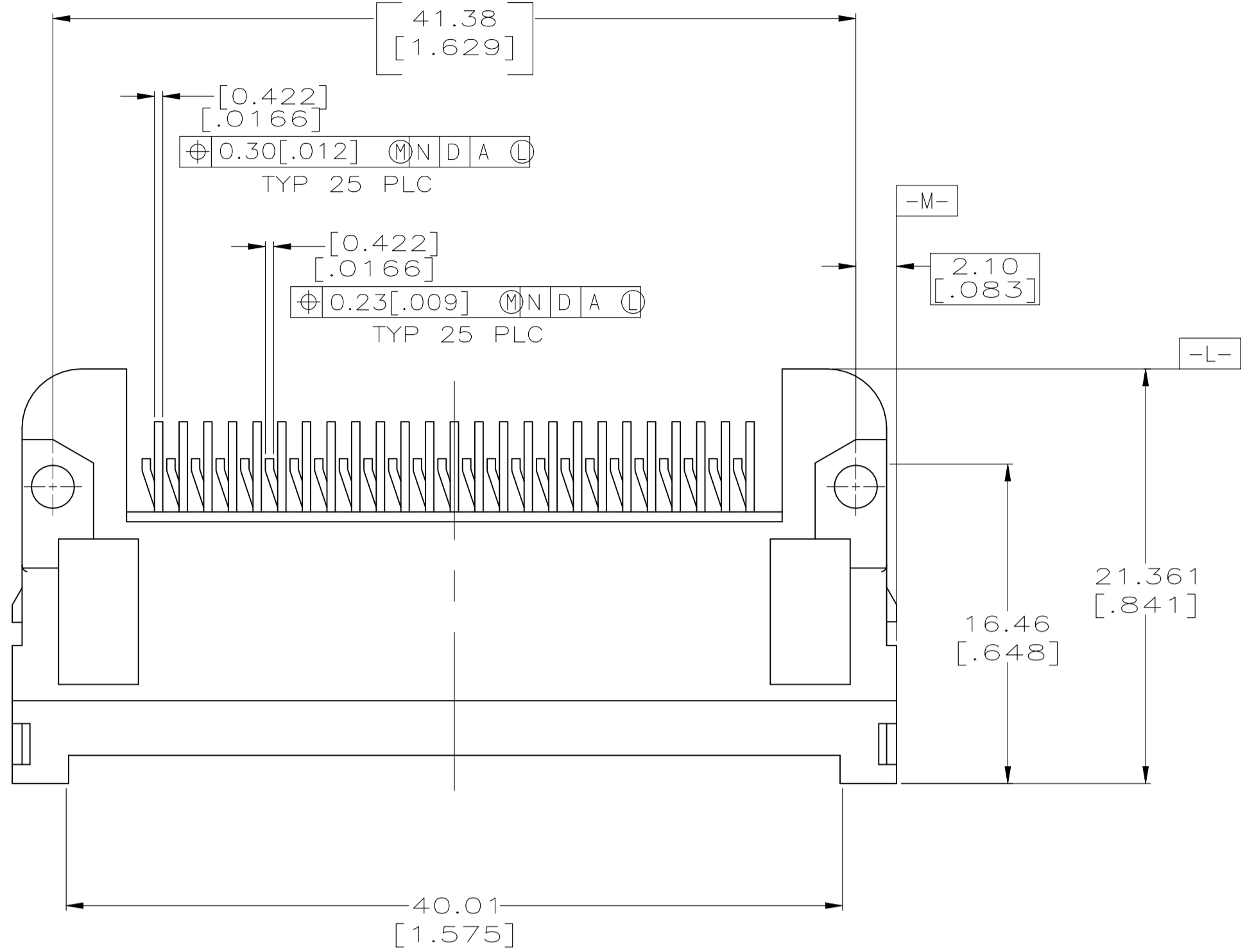
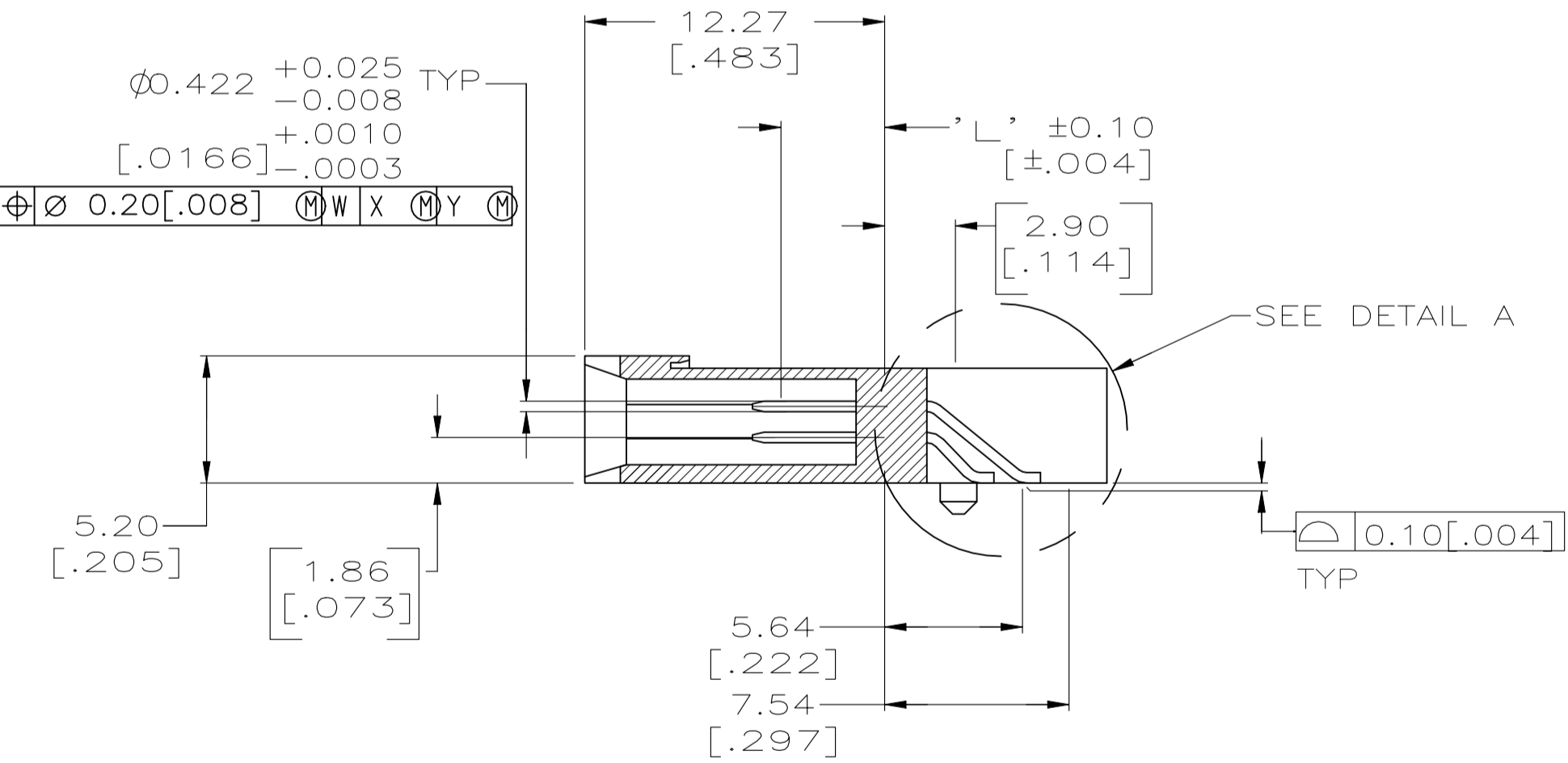
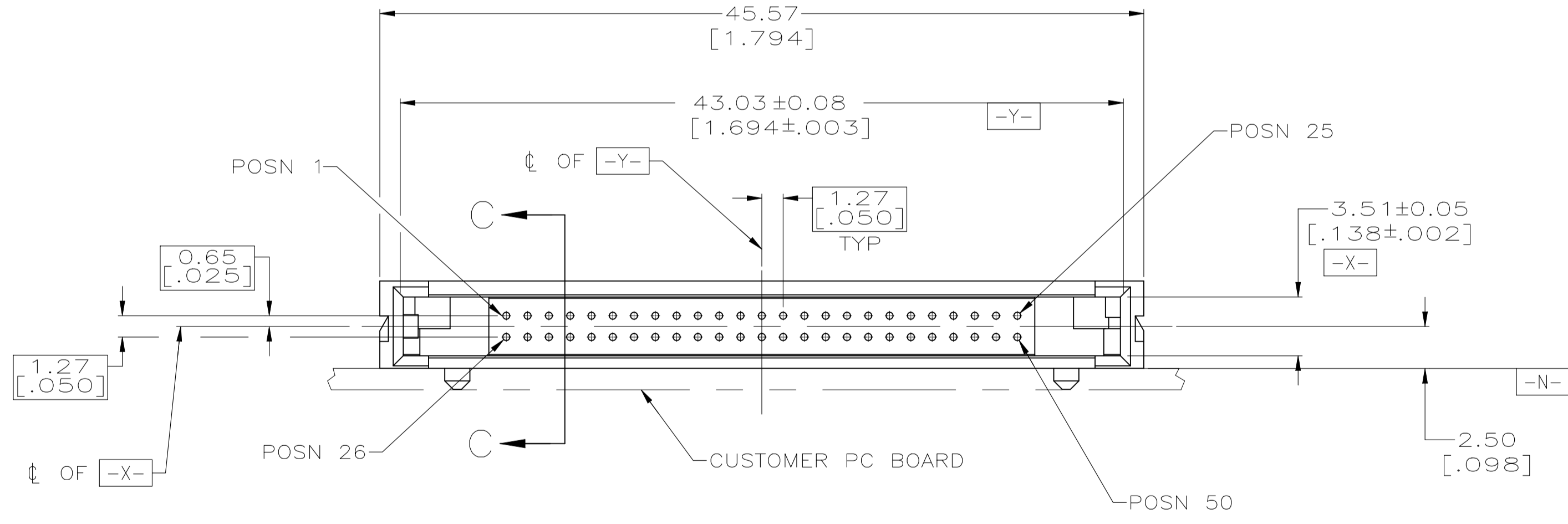


REVISIONS					
REV	DESCRIPTION	DATE	BY	APP'D	
R1	ECR-21-116994	08NOV2021	RR	SZ	

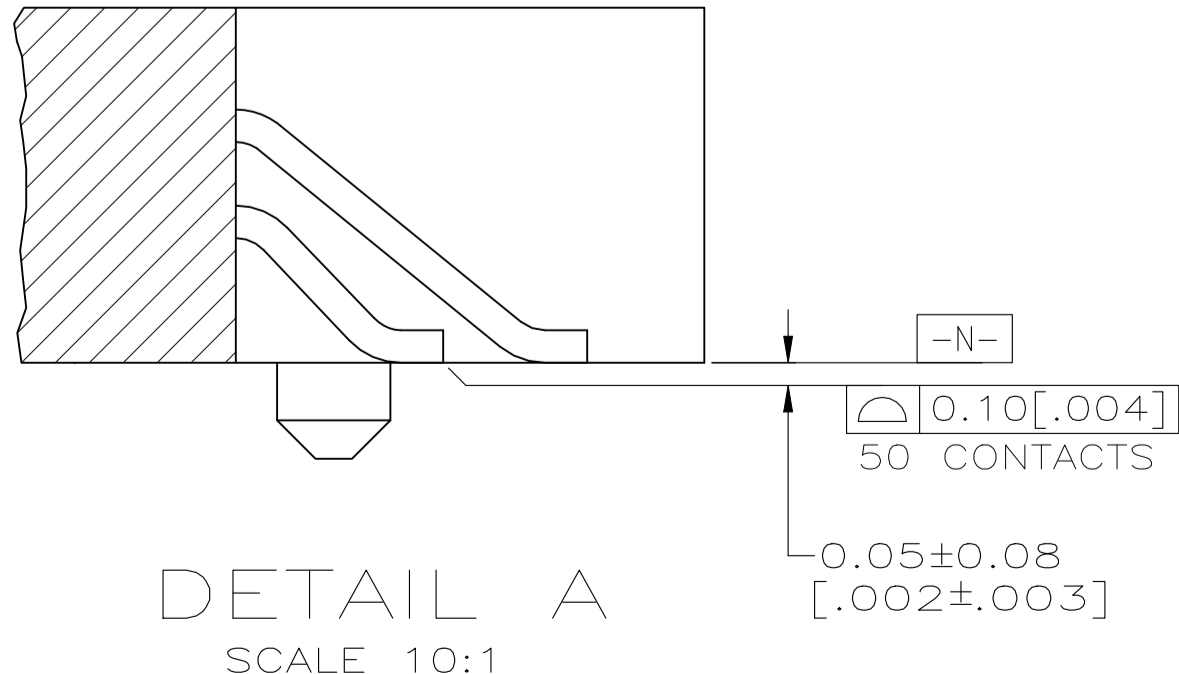


RECOMMENDED BOARD LAYOUT



SECTION C-C

- 1 CONTACTS: 0.00076[.000030] MINIMUM GOLD IN CONTACT AREA, 0.00381[.000150] MIN TIN ON SOLDER TAILS, ALL OVER 0.00127[.000050] MINIMUM NICKEL
- 2 CUSTOMER TO PROVIDE CARD GUIDANCE SYSTEM
- 3 DATUMS AND BASIC DIMENSIONS ESTABLISHED BY CUSTOMER
- 4 CONNECTOR REQUIRES USE OF 2 - SIZE 2M SCREWS FOR FASTENING TO PRINTED CIRCUIT BOARD



DETAIL A
SCALE 10:1

OBSOLETE	1, 13, 38, 50	ALL OTHER PINS	25, 26	5120615-2
	1, 13, 38, 50	ALL OTHER PINS	25, 26	5120615-1
	5.0 [0.197]	4.25 [0.167]	3.5 [0.138]	PART NUMBER
	"L" (PIN LENGTH) AND LOCATION			

THIS DRAWING IS A CONTROLLED DOCUMENT.		DIN 12JULY05		TE Connectivity	
DIMENSIONS: mm [INCHES]		TOLERANCES UNLESS OTHERWISE SPECIFIED:		APPROVED: M. WALMSLEY 12JULY05	
0. PLC	±	1. PLC	±	NAME: PIN HEADER ASSEMBLY, 50 POSN, SMT, TOP MOUNT, LOW PROFILE, AMP COMPACTFLASH	
2. PLC	±	2. PLC	±	APPLICATION SPEC	
3. PLC	±	3. PLC	±	SIZE: A1 00779 C=5120615	
4. PLC	±	4. PLC	±	WEIGHT: 0.000000	
ANGLES	±	ANGLES	±	CUSTOMER DRAWING	
MATERIAL: HOUSING: LCP CONTACTS: BRASS	FINISH	RESTRICTED TO		SCALE: 4:1 SHEET 1 of 1 REV: R1	