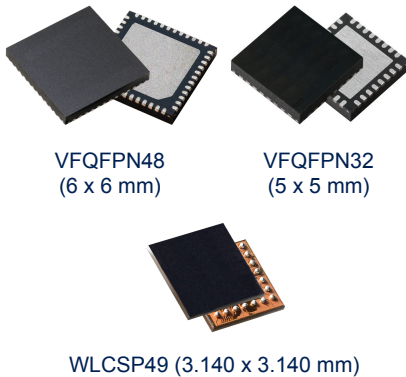


Programmable Bluetooth® Low Energy wireless SoC



Features

- Bluetooth® Low Energy system-on-chip supporting Bluetooth 5.2 specifications
 - 2 Mbps data rate
 - Long range (Coded PHY)
 - Advertising extensions
 - Channel selection algorithm #2
 - GATT caching
 - LE Ping procedure
 - Periodic advertising and periodic advertising sync transfer
 - LE L2CAP connection-oriented channel
 - LE power control and path loss monitoring
- Radio
 - RX sensitivity level: -97 dBm @ 1 Mbps, -104 dBm @ 125 kbps (long range)
 - Programmable output power up to +8 dBm (at antenna connector)
 - Data rate supported: 2 Mbps, 1 Mbps, 500 kbps and 125 kbps
 - 128 physical connections
 - Integrated balun
 - Support for external PA
 - BlueNRG core coprocessor (DMA based) for Bluetooth Low Energy timing critical operation
 - 2.4 GHz proprietary radio driver
 - Suitable for systems requiring compliance with the following radio frequency regulations: ETSI EN 300 328, EN 300 440, FCC CFR47 part 15, ARIB STD-T66
 - Available integrated passive device (IPD) companion chip for optimized matching and filtering
- Ultra-low power radio performance
 - 10 nA in SHUTDOWN mode (1.8 V)
 - 0.6 µA in DEEPSTOP mode (with external LSE and BLE wake-up sources, 1.8 V)
 - 0.9 µA in DEEPSTOP mode (with internal LSI and BLE wake-up sources, 1.8 V)
 - 4.3 mA peak current in TX (@ 0 dBm, 3.3 V)
 - 3.4 mA peak current in RX (@ sensitivity level, 3.3V)
- High performance and ultra-low power Arm® Cortex®-M0+ 32-bit, running up to 64 MHz
- Dynamic current consumption: 18 µA/MHz
- Operating supply voltage: from 1.7 to 3.6 V
- -40 °C to 105 °C temperature range
- Supply and reset management
 - High efficiency embedded SMPS step-down converter with intelligent bypass mode
 - Ultra-low power power-on-reset (POR) and power-down-reset (PDR)
 - Programmable voltage detector (PVD)

Product summary

Order code	BlueNRG-3x5yz
------------	---------------

Product status link

BlueNRG-LP

- Clock sources
 - Fail safe 32 MHz crystal oscillator with integrated trimming capacitors
 - 32 kHz crystal oscillator
 - Internal low-power 32 kHz RO
- On-chip non-volatile flash memory of 256 Kbytes
- On-chip RAM of 64 Kbytes or 32 Kbytes
- One-time-programmable (OTP) memory area of 1 Kbyte
- Embedded UART bootloader
- Ultra-low power modes with or without timer and RAM retention
- Quadrature decoder
- Enhanced security mechanisms such as:
 - Flash read/write protection
 - SWD disabling
 - Secure bootloader
- Security features
 - True random number generator (RNG)
 - Hardware encryption AES maximum 128-bit security co-processor
 - HW public key accelerator (PKA)
 - CRC calculation unit
 - 64-bit unique ID
- System peripherals
 - 1x DMA controller with 8 channels supporting ADC, SPI, I2C, USART and LPUART
 - 1x SPI
 - 2x SPI/I2S
 - 2x I²C (SMBus/PMBus)
 - 1x PDM (digital microphone interface)
 - 1x LPUART
 - 1x USART (ISO 7816 smartcard mode, IrDA, SPI Master and Modbus)
 - 1x independent WDG
 - 1x real time clock (RTC)
 - 1x independent SysTick
 - 1x 16-bit, 6 channel advanced timer
- Up to 32 fast I/Os
 - 28 of them with wake-up capability
 - 31 of them 5 V tolerant
- Analog peripherals
 - 12-bit ADC with 8 input channels, up to 16 bits with a decimation filter
 - Battery monitoring
 - Analog watchdog
 - Analog Mic I/F with PGA
- Development support
 - Serial wire debug (SWD)
 - 4 breakpoints and 2 watchpoints
- All packages are ECOPACK2 compliant

Applications

- Industrial
- Home and industrial automation

- Smart lighting
- Fitness, wellness and sports
- Healthcare, consumer medical
- Security/proximity
- Remote control
- Assisted living
- Mobile phone peripherals
- PC peripherals

Description

The **BlueNRG-LP** is an ultra-low power programmable Bluetooth® Low Energy wireless SoC solution. It embeds STMicroelectronics's state-of-art 2.4 GHz RF radio IPs combining unparalleled performance with extremely long-battery lifetime. It is compliant with Bluetooth® Low Energy SIG core specification version 5.2 addressing point-to-point connectivity and Bluetooth Mesh networking and allows large-scale device networks to be established in a reliable way. The **BlueNRG-LP** is also suitable for 2.4 GHz proprietary radio wireless communication to address ultra-low latency applications.

The **BlueNRG-LP** embeds a Cortex®-M0+ microcontroller that can operate up to 64 MHz and also the **BlueNRG** core coprocessor (DMA based) for Bluetooth Low Energy timing critical operations.

The main Bluetooth Low Energy 5.2 specification supported features are:

2 Mbps data rate, long range (Coded PHY), advertising extensions, channel selection algorithm #2, GATT caching, hardware support for simultaneous connection, master/slave and multiple roles simultaneously, extended packet length support.

In addition, the **BlueNRG-LP** provides enhanced security hardware support by dedicated hardware functions:

True random number generator (RNG), encryption AES maximum 128-bit security co-processor, public key accelerator (PKA), CRC calculation unit, 64-bit unique ID, flash memory read and write protection.

The **BlueNRG-LP** can be configured to support standalone or network processor applications. In the first configuration, the **BlueNRG-LP** operates as single device in the application for managing both the application code and the Bluetooth Low Energy stack.

The **BlueNRG-LP** embeds high-speed and flexible memory types: flash memory of 256 Kbytes, RAM memory of 64 Kbytes, one-time-programmable (OTP) memory area of 1 Kbyte, ROM memory of 7 Kbytes (ST reserved area).

Direct data transfer between memory and peripherals and from memory-to-memory is supported by eight DMA channels with a full flexible channel mapping by the DMAMUX peripheral.

The **BlueNRG-LP** embeds a 12-bit ADC, allowing measurements of up to eight external sources and up to three internal sources, including battery monitoring and a temperature sensor.

The **BlueNRG-LP** has a low-power RTC and one advanced 16-bit timer.

The **BlueNRG-LP** features standard and advanced communication interfaces:

1x SPI, 2x SPI/I2S, 1x LPUART, 1x USART supporting ISO 7816 (smartcard mode), IrDA and Modbus mode, 2x I²C supporting SMBus/PMBus, 1x channel PDM.

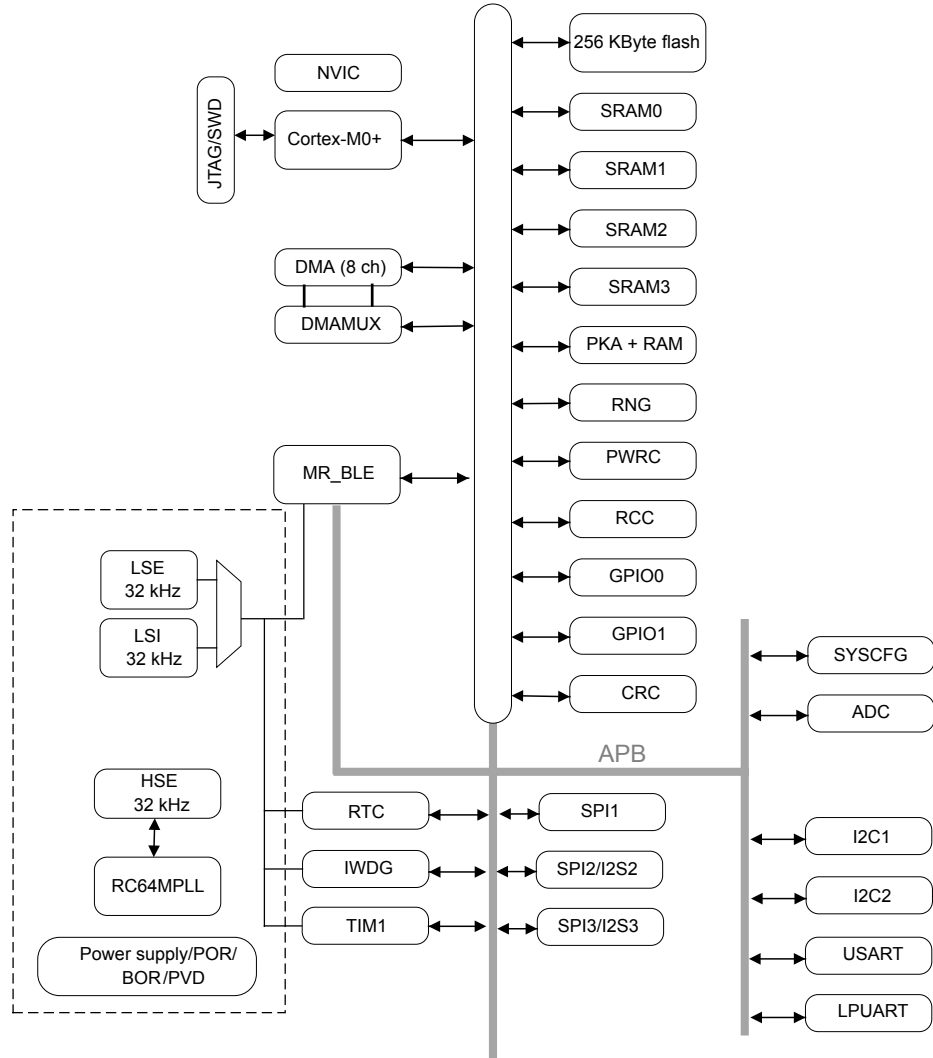
The **BlueNRG-LP** operates in the -40 to +105 °C temperature range from a 1.7 V to 3.6 V power supply. A comprehensive set of power-saving modes enables the design of low-power applications.

The **BlueNRG-LP** integrates a high efficiency SMPS step-down converter and an integrated PDR circuitry with a fixed threshold that generates a device reset when the V_{DD} drops under 1.65 V.

The **BlueNRG-LP** comes in different package versions supporting up to:

32 I/Os for the QFN48 package, 20 I/Os for the QFN32 package, 30 I/Os for the WCSP49 package.

Figure 1. The BlueNRG-LP block diagram



1 Introduction

This document provides the ordering information and mechanical device characteristics of the BlueNRG-LP microcontrollers, based on Arm® core.

This document must be read in conjunction with the BlueNRG-LP reference manual (RM0479) and the BlueNRG-LP radio controller reference manual (RM0480).

For information on the device errata with respect to the datasheet and reference manual, refer to the BlueNRG-LP errata sheet (ES0532).

For information on the Arm® Cortex®-M0+ core, refer to the Cortex®-M0+ technical reference manual, available from the www.arm.com website.

For information on Bluetooth® refer to www.bluetooth.com website.

Note: Arm is a registered trademark of Arm Limited (or its subsidiaries) in the US and/or elsewhere.



2 Functional overview

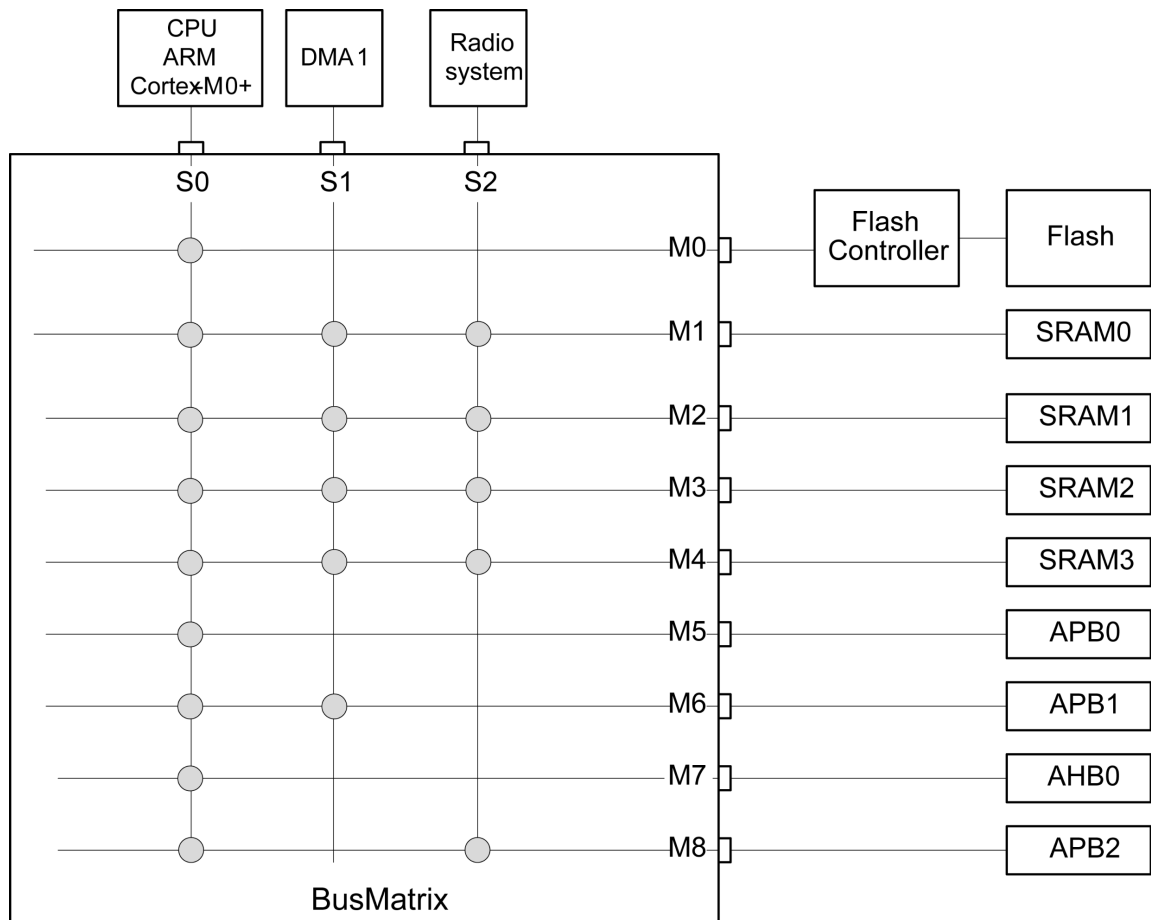
2.1 System architecture

The main system consists of 32-bit multilayer AHB bus matrix that interconnects:

- Three masters:
 - CPU (Cortex-M0+) core S-bus
 - DMA1
 - Radio system
- Nine slaves:
 - Internal flash memory on CPU (Cortex-M0+) S bus
 - Internal SRAM0 (16 Kbytes)
 - Internal SRAM1 (16 Kbytes)
 - Internal SRAM2 (16 Kbytes)
 - Internal SRAM3 (16 Kbytes)
 - APB0 peripherals (through an AHB to APB bridge)
 - APB1 peripherals (through an AHB to APB bridge)
 - AHB0 peripherals
 - AHB0 including AHB to APB bridge and radio peripherals (connected to APB2)

The bus matrix provides access from a master to a slave, enabling concurrent access and efficient operation even when several high-speed peripherals work simultaneously.

Figure 2. Bus matrix



DT58102V1

2.2 ARM Cortex-M0+ core with MPU

The Cortex-M0+ was developed to provide a low-cost platform that meets the needs of CPU implementation, with a reduced pin count and low-power consumption, while delivering outstanding computational performance and an advanced response to interrupts. The Cortex-M0+ can run from 1 MHz up to 64 MHz.

The Cortex-M0+ processor is built on a highly area and power optimized 32-bit processor core, with a 2-stage pipeline Von Neumann architecture. The processor delivers exceptional energy efficiency through a small but powerful instruction set and extensively optimized design, providing high-end processing hardware including a single-cycle multiplier.

The interrupts are handled by the Cortex-M0+ Nested Vector Interrupt Controller (NVIC). The NVIC controls specific Cortex-M0+ interrupts as well as the BlueNRG-LP peripheral interrupts. With its embedded ARM core, the BlueNRG-LP family is compatible with all ARM tools and software.

2.3 Memories

2.3.1 Embedded flash memory

The flash controller implements the erase and program flash memory operation. The flash controller also implements the read and write protection.

The flash memory features are:

- memory organization:
 - 1 bank of 256 Kbytes
 - page size: 2 Kbytes
 - page number 128
- 32-bit wide data read/write
- page erase and mass erase

The flash controller features are:

- flash memory read operations
- flash memory write operations: single data write or 4x32-bits burst write
- flash memory erase operations
- page write protect mechanism

2.3.2 Embedded SRAM

The BlueNRG-LP has a total of 64 Kbytes of embedded SRAM, split into four banks as shown in the following table:

Table 1. SRAM overview

SRAM bank	Size	Address	Retained in DEEPSTOP
SRAM0	16 Kbytes	0x2000 0000	Always
SRAM1	16 Kbytes	0x2000 4000	Programmable by the user
SRAM2	16 Kbytes	0x2000 8000	Programmable by the user
SRAM3	16 Kbytes	0x2000 C000	Programmable by the user

2.3.3 Embedded ROM

The BlueNRG-LP has a total of 7 Kbytes of embedded ROM. This area is ST reserved and contains:

- The UART bootloader from which the CPU boots after each reset (first 6 Kbytes of ROM memory)
- Some ST reserved values including the ADC trimming values (the last 1 Kbyte of ROM memory)

2.3.4 Embedded OTP

The one-time-programmable (OTP) is a memory of 1 Kbyte dedicated for user data. The OTP data cannot be erased.

The user can protect the OTP data area by writing the last word at address 0x1000 1BFC and by performing a system reset. This operation freezes the OTP memory from further unwanted write operations.

2.3.5 Memory protection unit (MPU)

The MPU is used to manage accesses to memory to prevent one task from accidentally corrupting the memory or resources used by any other active task. This memory area is organized into up to 8 protected areas. The protection area sizes are between 32 bytes and the whole 4 gigabytes of addressable memory.

The MPU is especially helpful for applications where some critical or certified code has to be protected against the misbehavior of other tasks. It is usually managed by an RTOS (real-time operating system). If a program accesses a memory location that is prohibited by the MPU, the RTOS can detect it and take action. In an RTOS environment, the kernel can dynamically update the MPU area settings, based on the process to be executed.

The MPU is optional and can be bypassed for applications that do not need it.

2.4 Security and safety

The BlueNRG-LP contains many security blocks for the BLE and the host application.

It includes:

- Flash read/write protections
- As protection against potential hacker attacks, the SWD access can be disabled

- Secure bootloader (refer to the dedicated BlueNRG-LP UART bootloader protocol application note AN5471)
- Customer storage of the BLE keys
- True random number generator (RNG)
- Private key accelerator (PKA) including:
 - Elliptic curve Diffie-Hellman (ECDH) public-private key pair calculation accelerator
 - Based on the Montgomery method for fast modular multiplications
 - Built-in Montgomery domain inward and outward transformations
 - AMBA AHB lite slave interface with a reduced command set
- Cyclic redundancy check calculation unit (CRC)

2.5 RF subsystem

The BlueNRG-LP embeds an ultra-low power radio, compliant with Bluetooth Low Energy (BLE) specification. The BLE features 1 Mbps and 2 Mbps transfer rates as well as long range options (125 kbps, 500 kbps), supports multiple roles simultaneously acting at the same time as Bluetooth Low Energy sensor and hub device.

The BLE protocol stack is implemented by an efficient system partitioned as follows:

- Hardware part: BlueCore handling time critical and time consuming BLE protocol parts
- Firmware part: Arm Cortex-M0+ core handling non time critical BLE protocol parts

2.5.1 RF front-end block diagram

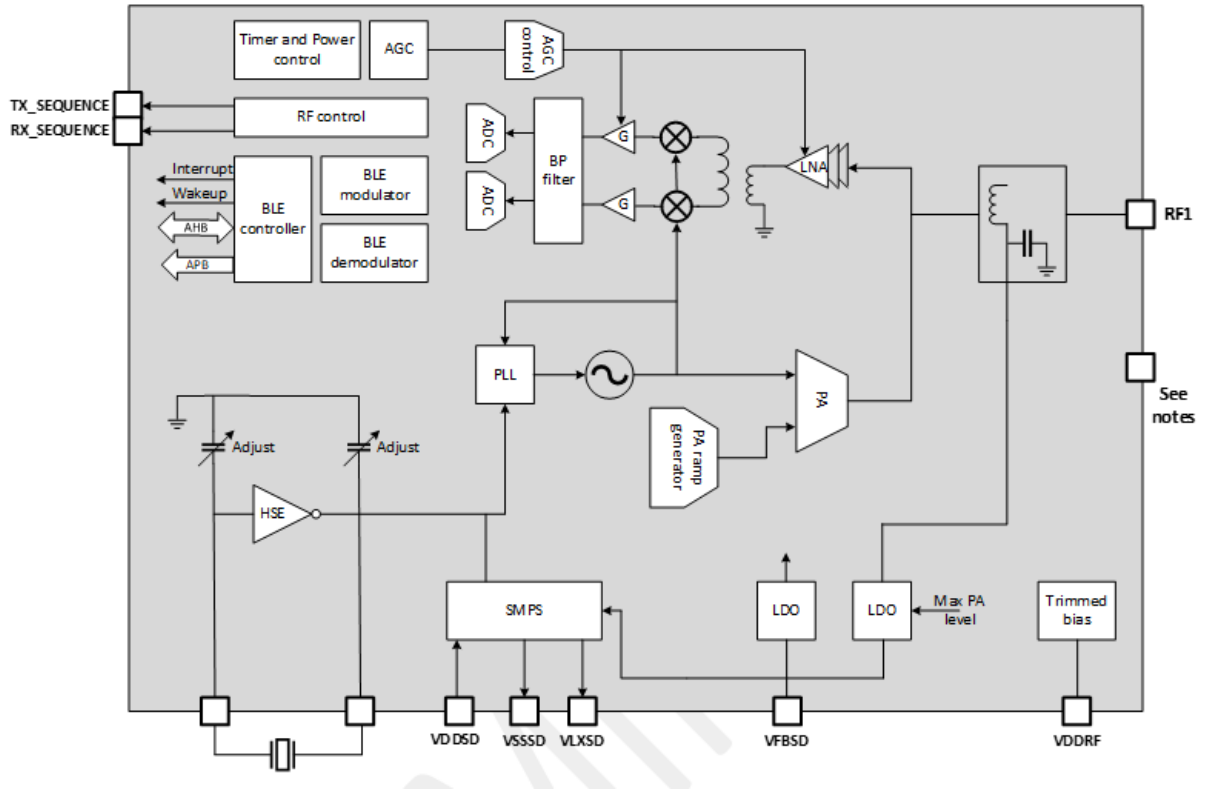
The RF front-end is based on a direct modulation of the carrier in TX, and uses a low IF architecture in RX mode.

Thanks to an internal transformer with RF pins, the circuit directly interfaces the antenna (single ended connection, impedance close to 50 Ω). The natural band pass behavior of the internal transformer simplifies outside circuitry aimed at harmonic filtering and out of band interferer rejection.

In transmit mode, the maximum output power is user selectable through the programmable LDO voltage of the power amplifier. A linearized, smoothed analog control offers a clean power ramp-up.

In receive mode, the automatic gain control (AGC) can reduce the chain gain at both RF and IF locations, for optimized interferer rejections. Thanks to the use of complex filtering and highly accurate I/Q architecture, high sensitivity and excellent linearity can be achieved.

Figure 3. BlueNRG-LP RF block diagram



Note:
 VFDFPN32 and VFDFPN48: VSS through exposed pad, and VSSRF pins must be connected to ground plane.
 WLCSP49: VSSRF pins must be connected to ground plane.

DT58104V1

2.5.2 IPDs for BlueNRG-LP

Table 2 lists the available IPD variants for the BlueNRG-LP device.

Table 2. IPDs for BlueNRG-LP

IPD	MCU Package	BlueNRG-LP part number
MLPF-NRG-01D3	QFN32, QFN48	BlueNRG-345A, BlueNRG-345M BlueNRG-355A, BlueNRG-355M
	WLCSP49	BlueNRG-345V, BlueNRG-355V

2.6 Power supply management

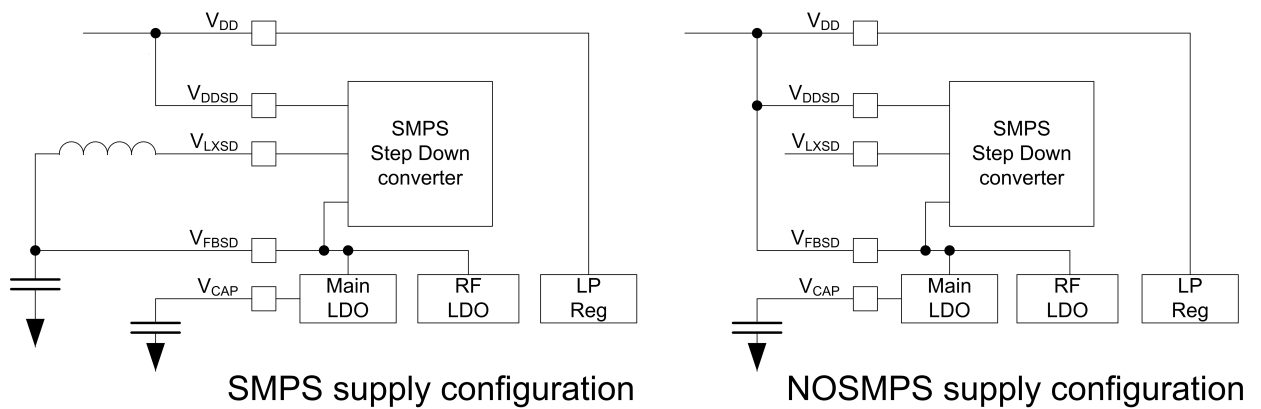
2.6.1 SMPS step-down regulator

The device integrates a step-down converter to improve low power performance when the V_{DD} voltage is high enough. The SMPS output voltage can be programmed from 1.2 V to 1.90 V. It is internally clocked at 4 MHz or 8 MHz.

The device can be operated without the SMPS by just wiring its output to V_{DD} . This is the case for applications where the voltage is low, or where the power consumption is not critical.

Except for the configuration SMPS OFF, an L/C BOM must be present on the board and connected to the VFBS pad.

Figure 4. Power supply configuration

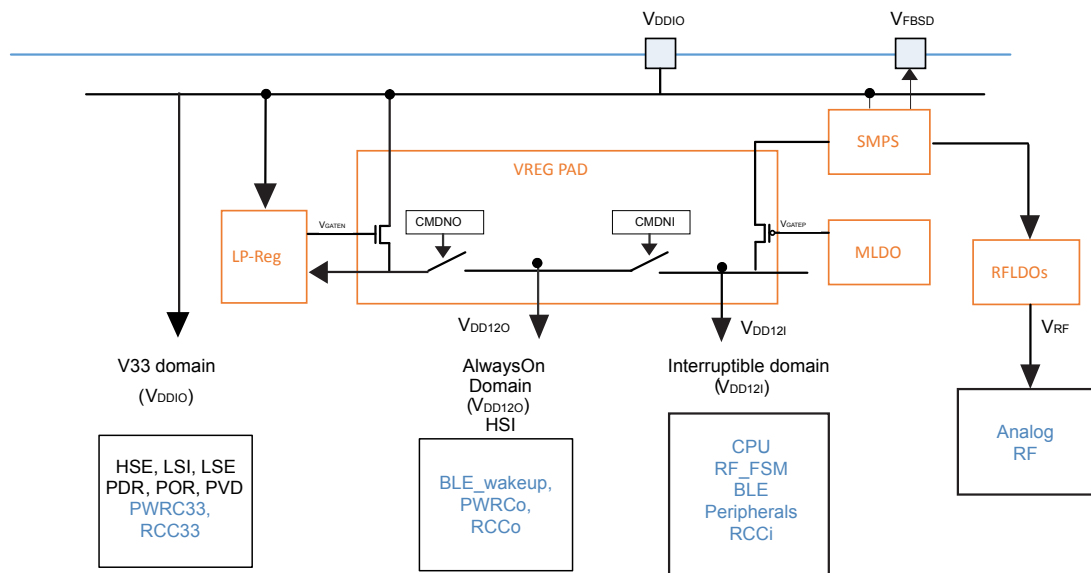


2.6.2 Power supply schemes

The BlueNRG-LP embeds three power domains:

- V_{DD33} (VDDIO or VDD):
 - the voltage range is between 1.7 V and 3.6 V
 - it supplies a part of the I/O ring, the embedded regulators and the system analog IPs as power management block and embedded oscillators
- V_{DD120} :
 - always-on digital power domain
 - this domain is generally supplied at 1.2 V during active phase of the device
 - this domain is supplied at 1.0 V during low power mode (DEEPSTOP)
- V_{DD12i} :
 - interruptible digital power domain
 - this domain is generally supplied at 1.2 V during active phase of the device
 - this domain is shut down during low power mode (DEEPSTOP)

Figure 5. Power supply domain overview



2.6.3 Linear voltage regulators

The digital power supplies are provided by different regulators:

- The main LDO (MLDO):
 - it provides 1.2 V from a 1.4-3.3 V input voltage
 - it supplies both V_{DD12i} and V_{DD120} when the device is active
 - it is disabled during the low power mode (DEEPSTOP)
- Low power LDO (LPREG):
 - it stays enabled during both active and low power phases
 - it provides 1.0 V voltage
 - it is not connected to the digital domain when the device is active
 - it is connected to the V_{DD120} domain during low power mode (DEEPSTOP)
- A dedicated LDO (RFLDO) to provide a 1.2 V to the analog RF block

An embedded SMPS step-down converter is available (inserted between the external power and the LDOs).

2.6.4 Power supply supervisor

The BlueNRG-LP device embeds several power voltage monitoring:

- Power-on-reset (POR): during the power-on, the device remains in reset mode if V_{DDIO} is below a V_{POR} threshold (typically 1.65 V)
- Power-down-reset (PDR): during power-down, the PDR puts the device under reset when the supply voltage (V_{DD}) drops below the V_{PDR} threshold (around 20 mV below V_{POR}). The PDR feature is always enabled
- Power voltage detector (PVD): can be used to monitor the V_{DDIO} (against a programmed threshold) or an external analog input signal. When the feature is enabled and the PVD measures a voltage below the comparator, an interrupt is generated (if unmasked)

2.7 Operating modes

Several operating modes are defined for the BlueNRG-LP:

- RUN mode
- DEEPSTOP mode
- SHUTDOWN mode

Table 3. Relationship between the low power modes and functional blocks

Mode	SHUTDOWN	DEEPSTOP	IDLE	RUN
CPU	OFF	OFF	OFF	ON
Flash	OFF	OFF	ON	ON
RAM	OFF	ON/OFF granularity 16 Kbytes	ON/OFF	ON/OFF
Radio	OFF	OFF	ON/OFF	ON/OFF
Supply system	OFF	OFF	ON (DC-DC ON/OFF)	ON (DC-DC ON/OFF)
Register retention	OFF	ON	ON	ON
HS clock	OFF	OFF	ON	ON
LS clock	OFF	ON/OFF	ON	ON
Peripherals	OFF	OFF	ON/OFF	ON/OFF
Wake-on RTC	OFF	ON/OFF	ON/OFF	NA
Wake-on GPIOs	OFF	ON/OFF	ON/OFF	NA
Wake-on reset pin	ON	ON	ON	NA

2.7.1 RUN mode

In RUN mode the BlueNRG-LP is fully operational:

- All interfaces are active
- The internal power supplies are active
- The system clock and the bus clock are running
- The CPU core and the radio can be used

The power consumption may be reduced by gating the clock of the unused peripherals.

2.7.2 DEEPSTOP mode

The DEEPSTOP is the only low power mode of the BlueNRG-LP allowing the restart from a saved context environment and the application at wake-up to go on running.

The conditions to enter the DEEPSTOP mode are:

- The radio is sleeping (no radio activity)
- The CPU is sleeping (WFI with SLEEPDEEP bit activated)
- No unmasked wake-up sources are active
- The low power mode selection (LPMS) bit of the power controller unit is 0 (default)

In DEEPSTOP mode:

- The system and the bus clocks are stopped
- Only the essential digital power domain is ON and supplied at 1.0 V
- The bank RAM0 is kept in retention
- The other banks of RAM can be in retention or not, depending on the software configuration
- The low speed clock can be running or stopped, depending on the software configuration:
 - ON or OFF
 - Sourced by LSE or by LSI
- The RTC and the IWDG stay active, if enabled and the low speed clock is ON
- The I/Os pull-up and pull-down can be controlled during DEEPSTOP mode, depending on the software configuration
- The radio wake-up block, including its timer, stay active (if enabled and the low speed clock is ON)
- Eight I/Os (PA4/ PA5/ PA6/ PA7/ PA8/ PA9/ PA10/ PA11) can be in output driving:
 - A static low or high level
 - The low speed clock
 - The RTC output

Possible wake-up sources are:

- The radio block is able to generate two events to wake up the system through its embedded wake-up timer running on low speed clock:
 - Radio wake-up time is reached
 - CPU host wake-up time is reached
- The RTC can generate a wake-up event
- The IWDG can generate a reset event
- Up to 28 GPIOs are able to wake up the system (PA0 to PA15 and PB0 to PB11)

At the wake-up, all the hardware resources located in the digital power domain that are OFF during the DEEPSTOP mode, are reset. The CPU reboots. The wake-up reason is visible in the register of the power controller.

2.7.3 SHUTDOWN mode

The SHUTDOWN mode is the least power consuming mode.

The conditions to enter SHUTDOWN mode are the same conditions needed to enter DEEPSTOP mode except that the LPMS bit of the power controller unit is 1.

In SHUTDOWN mode, the BlueNRG-LP is in ultra-low power consumption: all voltage regulators, clocks and the RF interface are not powered. The BlueNRG-LP can enter shutdown mode by internal software sequence. The only way to exit shutdown mode is by asserting and deasserting the RSTN pin.

In SHUTDOWN mode:

- The system is powered down as both the regulators are OFF
- The V_{DDIO} power domain is ON
- All the clocks are OFF, LSI and LSE are OFF
- The I/Os pull-up and pull-down can be controlled during SHUTDOWN mode, depending on the software configuration
- The only wake-up source is a low pulse on the RSTN pin

The exit from SHUTDOWN is similar to a POR startup. The PDR feature can be enabled or disabled during SHUTDOWN.

2.8 Reset management

The BlueNRG-LP offers two different resets:

- The PORESETn: this reset is provided by the low power management unit (LPMU) analog block and corresponds to a POR or PDR root cause. It is linked to power voltage ramp-up or ramp-down. This reset impacts all resources of the BlueNRG-LP. The exit from SHUTDOWN mode is equivalent to a POR and thus generates a PORESETn. The PORESETn signal is active when the power supply of the device is below a threshold value or when the regulator does not provide the target voltage.
- The PADRESETn (system reset): this reset is built through several sources:
 - PORESETn
 - Reset due to the watchdog
The BlueNRG-LP device embeds a watchdog timer, which may be used to recover from software crashes
 - Reset due to CPU Lockup
The Cortex-M0+ generates a lockup to indicate the core is in the lock-up state resulting from an unrecoverable exception. The lock-up reset is masked if a debugger is connected to the Cortex-M0+
 - Software system reset
The system reset request is generated by the debug circuitry of the Cortex-M0+. The debugger sets the SYSRESETREQ bit of the application interrupt and reset control register (AIRCR). This system reset request through the AIRCR can also be done by the embedded software (into the hardfault handler for instance)
 - Reset from the RSTN external pin
The RSTN pin toggles to inform that a reset has occurred

This PADRESETn resets all resources of the BlueNRG-LP, except:

- Debug features
- Flash controller key management
- RTC timer
- Power controller unit
- Part of the RCC registers

The pulse generator guarantees a minimum reset pulse duration of 20 μ s for each internal reset source. In case of reset from the RSTN external pad, the reset pulse is generated when the pad is asserted low.

2.9 Clock management

Three different clock sources may be used to drive the system clock of the BlueNRG-LP:

- HSI: high speed internal 64 MHz RC oscillator
- PLL64M: 64 MHz PLL clock
- HSE: high speed 32 MHz external crystal

The BlueNRG-LP has also a low speed clock tree used by some timers in the radio, RTC and IWDG.

Four different clock sources can be used for this low speed clock tree:

- Low speed internal (LSI): low speed and low drift internal RC with a fixed frequency between 24 kHz and 49 kHz depending on the sample
- Low speed external (LSE) from:
 - An external crystal 32.768 kHz
 - A single-ended 32.738 kHz input signal
- A 32 kHz clock (CLK_16 MHz/512 in [Figure 6. Clock tree](#)) obtained by dividing HSI or HSE. In this case, the slow clock is not available in DEEPSTOP low power mode
- LSI_LPMU: 32 kHz clock used by the low power management unit (LPMU) analog block.

By default, after a system reset, all low speed sources are OFF.

Both the activation and the selection of the slow clock are relevant during the DEEPSTOP mode and at wakeup as slow clock generates a clock for the timers involved in wake-up event generation.

The HSI and the PLL64M clocks are provided by the same analog block called RC64MPLL. The 64 MHz clock output by this block can be:

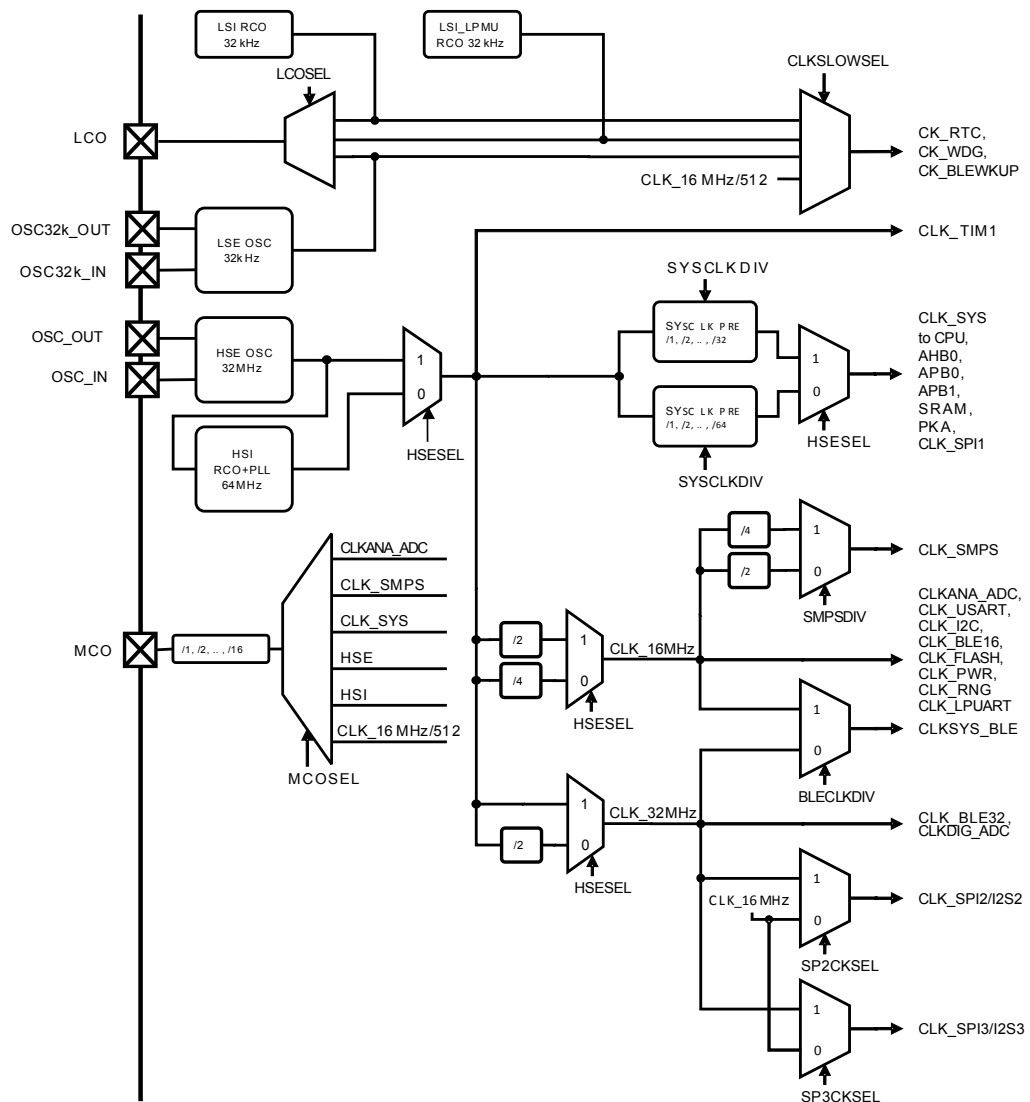
- A non-accurate clock when no external XO provides an input clock to this block (HSI)
- An accurate clock when the external XO provides the 32 MHz and once its internal PLL is locked (PLL64M)

This fast clock source is used to generate all the fast clock of the device through dividers. After reset, the CLK_SYS is divided by four to provide a 16 MHz to the whole system (CPU, DMA, memories and peripherals).

This fast clock source is also used to generate several internal fast clocks in the system:

- Always 32 MHz requested by a few peripherals like the radio
- Always 16 MHz requested by a few peripherals like serial interfaces (to maintain fixed the baud rate while system clock is switching from one frequency to another) or like the flash controller and radio (to have a fixed reference clock to manage delays)

Figure 6. Clock tree



It is possible to output some internal clocks on external pads:

- the low speed clocks can be output on the LCO I/O
- the high speed clocks can be output on the MCO I/O

This is possible by programming the associated I/O in the correct alternate function.

Most of the peripherals only use the system clock except:

- I²C, USART, LPUART: they always use a 16 MHz clock to have a fixed reference clock for baud rate management. The goal is to allow the CPU to boost or slow down the system clock (depending on on-going activities) without impacting a potential on-going serial interface transfer on external I/Os
- SPI: when the I2S mode is used, the baud rate is always managed through the 16 MHz or 32 MHz clock. When modes other than the I2S run, the baud rate is managed by the system clock. This implies its baud rate is impacted by dynamic system clock frequency changes
- RNG: in parallel to the system clock, the RNG always uses 16 MHz clock to generate at a constant frequency the random number whatever the system clock frequency
- Flash controller: in parallel to the system clock, the Flash controller always uses 16 MHz clock to generate specific delays required by the Flash memory during programming and erase operations for example
- PKA: in parallel to the system clock, the PKA uses a clock at half of the system clock frequency
- Radio: it does not directly use the system clock for its APB/AHB interfaces, but the system clock with a potential divider (1 or 2 or 4). In parallel, the radio always uses 16 MHz and always 32 MHz for modulator, demodulator and to have a fixed reference clock to manage specific delays
- ADC: in parallel to the system clock, ADC uses a 64 MHz prescaled clock running at 16 MHz

2.10 Boot mode

Following CPU boot, the application software can modify the memory map at address 0x0000 0000. This modification is performed by programming the REMAP bit in the Flash controller.

The following memory can be remapped:

- Main Flash memory
- SRAM0 memory

2.11 Embedded UART bootloader

The BlueNRG-LP has a pre-programmed bootloader supporting UART protocol with automatic baud rate detection. The main features of the embedded bootloader are:

- Auto baud rate detection up to 1 Mbps
- Flash mass erase, section erase
- Flash programming
- Flash readout protection enable/disable

The pre-programmed bootloader is an application, which is stored in the BlueNRG-LP internal ROM at manufacturing time by STMicroelectronics. This application allows upgrading the device Flash with a user application using a serial communication channel (UART).

Bootloader is activated by hardware by forcing PA10 high during hardware reset, otherwise, application residing in Flash is launched.

Note: Bootloader protocol is described in a separate application note (the BlueNRG-LP UART bootloader protocol, AN5471)

2.12 General purpose inputs/outputs (GPIO)

Each of the GPIO pins can be configured by software as output (push-pull or open-drain), as input (with or without pull-up or pull-down) or as peripheral alternate function. Most of the GPIO pins are shared with digital or analog alternate functions. Fast I/O toggling can be achieved thanks to their mapping on the AHB0 bus.

The I/Os alternate function configuration can be locked if needed following a specific sequence in order to avoid spurious writing to the I/Os registers.

2.13 Direct memory access (DMA)

The DMA is used in order to provide high-speed data transfer between peripherals and memory as well as memory-to-memory. Data can be quickly moved by DMA without any CPU actions. In this manner, CPU resources are free for other operations.

The DMA controller has eight channels in total. Each has an arbiter to handle the priority among DMA requests.

DMA main features are:

- Eight independently configurable channels (requests)

- Each of the eight channels is connected to dedicated hardware DMA requests, software trigger is also supported on each channel. This configuration is done by software
- Priorities among requests from channels of DMA are software programmable (four levels consisting of very high, high, medium, low) or hardware in case of equality (request 1 has priority over request 2, and so on)
- Independent source and destination transfer size (byte, half word, word), emulating packing and unpacking. Source/destination addresses must be aligned on the data size
- Support for circular buffer management
- Three event flags (DMA half transfer, DMA transfer complete and DMA transfer error) logically ORed together in a single interrupt request for each channel
- Memory-to-memory transfer (RAM only)
- Peripheral-to-memory and memory-to-peripheral, and peripheral-to-peripheral transfers
- Access to SRAMs and APB1 peripherals as source and destination
- Programmable number of data to be transferred: up to 65536

2.14 Nested vectored interrupt controller (NVIC)

The interrupts are handled by the Cortex-M0+ nested vector interrupt controller (NVIC). NVIC controls specific Cortex-M0+ interrupts as well as the BlueNRG-LP peripheral interrupts.

The NVIC benefits are the following:

- Nested vectored interrupt controller that is an integral part of the ARM Cortex-M0+
- Tightly coupled interrupt controller provides low interrupt latency
- Control system exceptions and peripheral interrupts
- NVIC supports 32 vectored interrupts
- Four programmable interrupt priority levels with hardware priority level masking
- Software interrupt generation using the ARM exceptions SVCALL and PendSV
- Support for NMI
- ARM Cortex M0+ vector table offset register VTOR implemented

NVIC hardware block provides flexible interrupt management features with minimal interrupt latency.

2.15 Analog digital converter (ADC)

The BlueNRG-LP embeds a 12-bit ADC. The ADC consists of a 12-bit successive approximation analog-to-digital converter (SAR) with 2 x 8 multiplexed channels allowing measurements of up to eight external sources and up to two internal sources.

The ADC main features are:

- Conversion frequency is up to 1 Msps
- Three input voltage ranges are supported (0 - 1.2 V, 0 - 2.4 V, 0 - 3.6 V)
- Up to eight analog single-ended channels or four analog differential inputs or a mix of both
- Temperature sensor conversion
- Battery level conversion up to 3.6 V
- ADC continuous or single mode conversion is possible
- ADC down-sampler for multi-purpose applications to improve analog performance while off-loading the CPU (ratio adjustable from 1 to 128)
- A watchdog feature to inform when data is outside thresholds
- DMA capability
- Interrupt sources with flags.

2.15.1 Digital microphone MEMS interface

The digital microphone MEMS interface aims to interconnect with an external digital MEMS microphone. The BlueNRG-LP can configure two GPIOs as PDM interface. The PDM_CLK provides the clock output signal, programmable in frequency, to the microphone, while the PDM_DATA receives the PDM output data from the microphone. The decimation filter and the digital control resources are used to handle the PDM data stream.

2.15.2 Analog microphone interface

The analog microphone interface is dedicated to the analog microphone signal. The input audio signal is amplified with a programmable gain amplifier (PGA) from 0 dB to 30 dB, then the data stream is sampled by ADC and processed through the decimation filter.

2.15.3 Temperature sensor

The temperature sensor (TS) generates a voltage that varies linearly with temperature. The temperature sensor is internally connected to the ADC input channel, which is used to convert the sensor output voltage into a digital value.

To improve the accuracy of the temperature sensor measurement, each device is individually factory-calibrated by ST. The temperature sensor factory calibration data are stored by ST in the system memory area, accessible in read-only mode.

2.16 True random number generator (RNG)

RNG is a random number generator based on a continuous analog noise that provides a 16-bit value to the host when read. The minimum period is 1.25 us, corresponding to 20 RNG clock cycles between two consecutive random number.

2.17 Timers and watchdog

The BlueNRG-LP includes one advanced 16-bit timer, one watchdog timer and a SysTick timer.

2.17.1 Advanced control timer (TIM1)

The advanced-control timer can be considered as a three-phase PWM multiplexed on six channels. The six channels have complementary PWM outputs with programmable inserted dead-times.

They can also be used as general-purpose timers for:

- Input capture (except channels 5 and 6)
- Output compare
- PWM generation (edge and center-aligned mode)
- One-pulse mode output

2.17.2 Independent watchdog (IWDG)

The independent watchdog is based on a 12-bit downcounter and 8-bit prescaler. It is clocked from the LS clock and it can operate in DEEPSTOP mode. It can also be used as a watchdog to reset the device when a problem occurs.

2.17.3 SysTick timer

This timer is dedicated to real-time operating systems, but could also be used as a standard down counter. It features:

- A 24-bit down counter
- Autoreload capability
- Maskable system interrupt generation when the counter reaches 0

2.18 Real-time clock (RTC)

The RTC is an independent BCD timer/counter. The RTC provides a time of day/clock/calendar with programmable alarm interrupt. RTC includes also a periodic programmable wake-up flag with interrupt capability. The RTC provides an automatic wake-up to manage all low power modes.

Two 32-bit registers contain seconds, minutes, hours (12- or 24-hour format), day (day of week), date (day of month), month, and year, expressed in binary coded decimal format (BCD). The sub-second value is also available in binary format. Compensations for 28-, 29- (leap year), 30-, and 31-day months are performed automatically. Daylight saving time compensation can also be performed. Additional 32-bit registers contain the programmable alarm sub seconds, seconds, minutes, hours, day, and date.

A digital calibration circuit with 0.95 ppm resolution is available to compensate for quartz crystal inaccuracy. After power-on reset, all RTC registers are protected against possible parasitic write accesses. As long as the supply voltage remains in the operating range, the RTC never stops, regardless of the device status (RUN mode, low power mode or under system reset). The RTC counter does not freeze when CPU is halted by a debugger.

2.19 Inter-integrated circuit interface (I²C)

The BlueNRG-LP embeds two I²Cs. The I²C bus interface handles communications between the microcontroller and the serial I²C bus. It controls all I²C bus-specific sequencing, protocol, arbitration and timing.

The I²C peripheral supports:

- I²C bus specification and user manual rev. 5 compatibilities:
 - Slave and master modes
 - Multimaster capability
 - Standard-mode (Sm), with a bitrate up to 100 kbit/s
 - Fast-mode (Fm), with a bitrate up to 400 kbit/s
 - Fast-mode Plus (fm+), with a bitrate up to 1 Mbit/s and 20 mA output driver I/Os
 - 7-bit and 10-bit addressing mode
 - Multiple 7-bit slave addresses (2 addresses, 1 with configurable mask)
 - All 7-bit address acknowledge mode
 - General call
 - Programmable setup and hold times
 - Easy to use event management
 - Optional clock stretching
 - Software reset
- System management Bus (SMBus) specification rev 2.0 compatibility:
 - Hardware PEC (Packet Error Checking) generation and verification with ACK control
 - Address resolution protocol (ARP) support
 - Host and device support
 - SMBus alert
 - Timeouts and idle condition detection
- Power system management protocol (PMBus™) specification rev 1.1 compatibility
- Independent clock: a choice of independent clock sources allowing the I²C communication speed to be independent from the PCLK reprogramming
- Programmable analog and digital noise filters
- 1-byte buffer with DMA capability

2.20 Universal synchronous/asynchronous receiver transmitter (USART)

USART offers flexible full-duplex data exchange with external equipment requiring an industry standard NRZ asynchronous serial data format. USART is able to communicate with a speed up to 2 Mbit/s. Furthermore, USART is able to detect and automatically set its own baud rate, based on the reception of a single character.

The USART peripheral supports:

- Synchronous one-way communication
- Half-duplex single wire communication
- Local interconnection network (LIN) master/slave capability
- Smart card mode, ISO 7816 compliant protocol
- IrDA (infrared data association) SIR ENDEC specifications
- Modem operations (CTS/RTS)
- RS485 driver enable
- Multiprocessor communications
- SPI-like communication capability

High speed data communication is possible by using DMA (direct memory access) for multibuffer configuration.

2.21 LPUART

LPUART is a UART which allows bidirectional UART communications. It supports half-duplex single wire communications and modem operations (CTS/RTS). It also supports multiprocessor communications. DMA (direct memory access) can be used for data transmission/reception.

2.22 Serial peripheral interface (SPI)

The BlueNRG-LP has three SPI interfaces (SPI1, SPI2, SPI3) allowing communication up to 32 Mbit/s in both master and slave modes. The SPI peripheral supports:

- Master or slave operation
- Multimaster support
- Full-duplex synchronous transfers on three lines
- Half-duplex synchronous transfer on two lines (with bidirectional data line)
- Simplex synchronous transfers on two lines (with unidirectional data line)
- Serial communication with external devices
- NSS management by hardware or software for both master and slave: dynamic change of master/slave operations
- SPI Motorola support
- SPI TI mode support
- Hardware CRC feature for reliable communication

All SPI interfaces can be served by the DMA controller.

2.23 Inter-IC sound (I2S)

The BlueNRG-LP SPI interfaces: SPI2 and SPI3 support the I2S protocol. The I2S interface can operate in slave or master mode with half-duplex communication. It can address four different audio standards:

- Philips I2S standard
- MSB-justified standards (left-justified)
- LSB-justified standards (right-justified)
- PCM standard.

The I2S interfaces DMA capability for transmission and reception.

2.24 Serial wire debug port

The BlueNRG-LP embeds an ARM SWD interface that allows interactive debugging and programming of the device. The interface is composed of only two pins: SWDIO and SWCLK. The enhanced debugging features for developers allow up to 4 breakpoints and up to 2 watchpoints.

2.25 TX and RX event alert

The BlueNRG-LP is provided with the TX_SEQUENCE and RX_SEQUENCE signals which alert, respectively, transmission and reception activities.

A signal can be enabled for TX and RX on two pins, through alternate functions:

- TX_SEQUENCE is available on PA10 (AF2) or PB15 (AF1).
- RX_SEQUENCE is available on PA8 (AF2) or PA11 (AF2).

The signal is high when radio is in TX (or RX), low otherwise.

The signals can be used to control external antenna switching and support coexistence with other wireless technologies.

3 Pinouts and pin description

The BlueNRG-LP comes in three package versions: QFN48 offering 32 GPIOs, WCSP49 offering 30 GPIOs and QFN32 offering 20 GPIOs.

Figure 7. Pinout top view (QFN48 package)

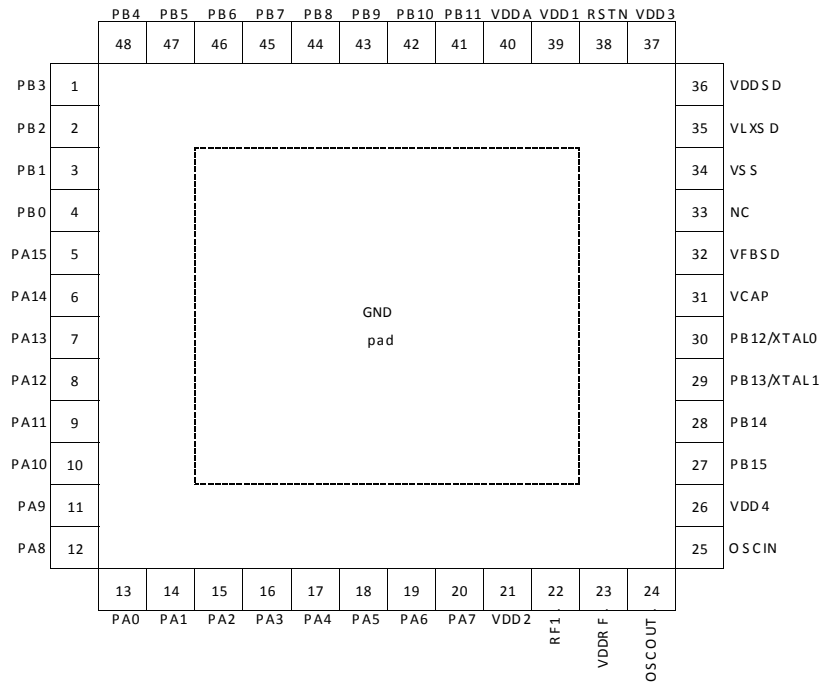


Figure 8. Pinout top view (QFN32 package)

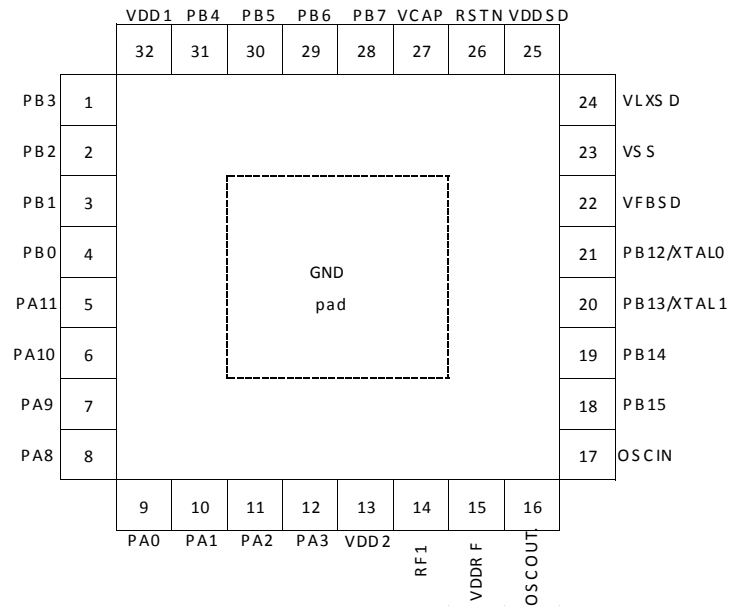


Figure 9. Pinout top view (WLCSP49 package)

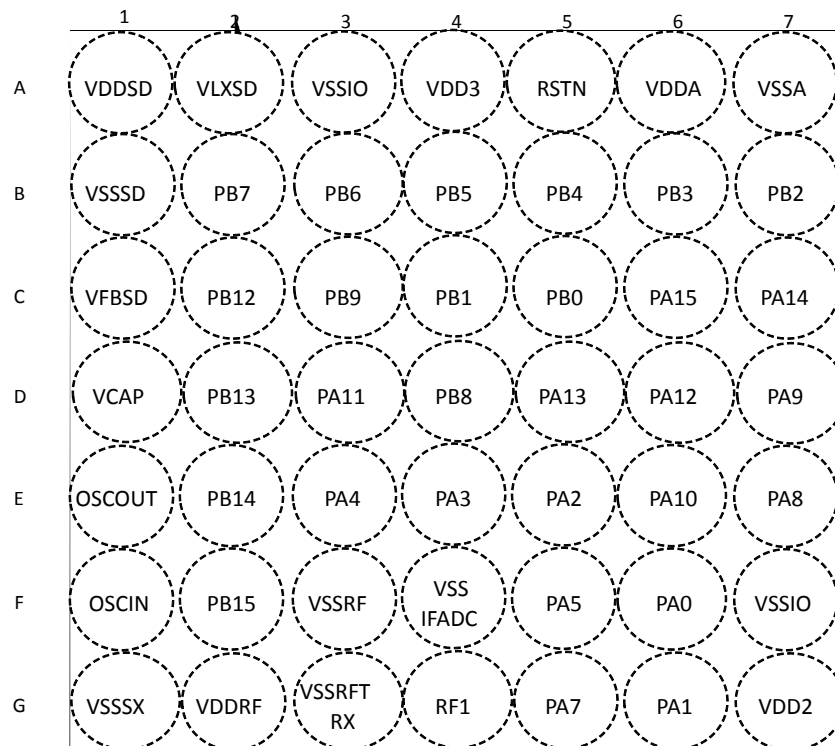


Table 4. Pin description

Pin number			Pin name (function after reset)	Pin type	I/O structure	Alternate functions	Additional functions
QFN48	QFN32	WLCSP49					
1	1	B6	PB3	I/O	FT_a	USART_CTS, LPUART_TX, TIM1_CH4	ADC_VINP0, wakeup
2	2	B7	PB2	I/O	FT_a	USART_RTS_DE, PDM_DATA, TIM1_CH3	ADC_VINM0, wakeup
3	3	C4	PB1	I/O	FT_a	SPI1_NSS, PDM_CLK, TIM1_ETR	ADC_VINP1, wakeup
4	4	C5	PB0	I/O	FT_a	USART_RX, LPUART_RTS_DE, TIM1_CH2N	ADC_VINM1, wakeup
5	-	C6	PA15	I/O	FT_a	I2C2_SMBA, SPI1_MOSI, TIM1_BKIN2	ADC_VINP2, wakeup
6	-	C7	PA14	I/O	FT_a	I2C2_SDA, SPI1_MISO, TIM1_BKIN	ADC_VINM2, wakeup
7	-	D5	PA13	I/O	FT_a	I2C2_SCL, SPI1_SCK, SPI2_MISO, TIM1_ETR, I2S2_MISO	ADC_VINP3, wakeup
8	-	D6	PA12	I/O	FT_a	I2C1_SMBA, SPI1_NSS, SPI2_MOSI, TIM1_CH1, I2S2_SD	ADC_VINM3, wakeup
9	5	D3	PA11	I/O	FT	MCO, SPI1_NSS, RX_SEQUENCE, SPI3_MOSI, TIM1_CH6, I2S3_SD	Wakeup, GPIO in DEEPSTOP, RTC_OUT
10	6	E6	PA10	I/O	FT	LCO, SPI1_MISO, TX_SEQUENCE, SPI3_MCK, TIM1_CH5, I2S3_MCK	BOOT, wakeup, GPIO in DEEPSTOP, LCO
11	7	D7	PA9	I/O	FT	USART_TX, SPI1_SCK, RTC_OUT, SPI3_NSS, TIM1_CH4, I2S3_WS	Wakeup, GPIO in DEEPSTOP, LCO
12	8	E7	PA8	I/O	FT	USART_RX, SPI1_MOSI, RX_SEQUENCE, SPI3_MISO, TIM1_CH3, I2S3_MISO	Wakeup, GPIO in DEEPSTOP, RTC_OUT
13	9	F6	PA0	I/O	FT_f	I2C1_SCL, USART_CTS, SPI2_MCK, TIM1_CH3, I2S2_MCK	Wakeup
14	10	G6	PA1	I/O	FT_f	I2C1_SDA, SPI2_MISO, USART_TX, TIM1_CH4, I2S2_MISO	Wakeup
15	11	E5	PA2	I/O	FT	SWDIO, USART_CK, TIM_BKIN, SPI3_MCK, TIM1_CH5, I2S3_MCK	Wakeup
16	12	E4	PA3	I/O	FT	SWCLK, USART_RTS_DE, TIM_BKIN2, SPI3_SCK, TIM1_CH6, I2S3_SCK	Wakeup
17	-	E3	PA4	I/O	FT	LCO, SPI2_NSS, LPUART_TX, TIM1_CH1, I2S2_WS	Wakeup, GPIO in DEEPSTOP, LCO
18	-	F5	PA5	I/O	FT	MCO, SPI2_SCK, LPUART_RX, TIM1_CH2, I2S2_SCK	Wakeup, GPIO in DEEPSTOP, LCO

Pin number			Pin name (function after reset)	Pin type	I/O structure	Alternate functions	Additional functions
QFN48	QFN32	WLCSP49					
19	-	-	PA6	I/O	FT	LPUART_CTS, SPI2_MOSI, SPI2_NSS, TIM1_CH1, I2S2_SD, I2S2_WS	Wakeup, GPIO in DEEPSTOP, LCO
20	-	G5	PA7	I/O	FT	LPUART_RTS_DE, SPI2_MISO, SPI2_SCK, TIM1_CH2, I2S2_MISO, I2S2_SCK	Wakeup, GPIO in DEEPSTOP, RTC_OUT
21	13	G7	VDD2	S	-	-	1.7-3.6 battery voltage input
22	14	G4	RF1	I/O	RF	-	RF input/output. Impedance 50 Ω
23	15	G2	VDDRF	S	-	-	1.7-3.6 battery voltage input
24	16	E1	OSCOU	I/O	RF	-	32 MHz crystal
25	17	F1	OSCIN	I/O	RF	-	32 MHz crystal
26	-	-	VDD4	S	-	-	1.7-3.6 battery voltage input
27	18	F2	PB15	I/O	FT	I2C1_SMBA, TX_SEQUENCE, MCO, TIM1_CH4N, TIM1_CH6, USART_TX	-
28	19	E2	PB14	I/O	FT_a	SPI1_MOSI, I2C2_SDA, TIM1_ETR, TIM1_CH3N, TIM1_CH5, USART_RX	VIN_PVD
29	20	D2	PB13	I/O	FT	SPI1_MISO, I2C2_SCL, PDM_CLK, TIM1_BKIN2, TIM1_CH4	SXTAL1
30	21	C2	PB12	I/O	FT	SPI1_SCK, LCO, PDM_DATA, TIM1_BKIN, TIM1_CH3	SXTAL0
31	27	D1	VCAP	S	-	-	1.2 V digital core
32	22	C1	VFBSD	S	-	-	SMPS output
33			NC	S	-	-	-
34	23	B1	VSSSD	S	-	-	SMPS Ground
35	24	A2	VLXSD	S	-	-	SMPS input/output
36	25	A1	VDDSD	S	-	-	1.7-3.6 battery voltage input
37	-	A4	VDD3	S	-	-	1.7-3.6 battery voltage input
38	26	A5	RSTN	I/O	RST	-	Reset pin
39	32	-	VDD1	S	-	-	1.7-3.6 battery voltage input
40	-	A6	VDDA	S	-	-	1.2 V analog ADC core
41	-	-	PB11	I/O	FT	SPI1_SCK, SPI2_NSS, I2C1_SCL, TIM1_CH1, TIM1_CH4N, I2S2_WS	Wakeup
42	-	-	PB10	I/O	FT	SPI1_NSS, SPI2_SCK, I2C1_SDA, TIM1_CH2, TIM1_CH3N, I2S2_SCK	Wakeup

Pin number			Pin name (function after reset)	Pin type	I/O structure	Alternate functions	Additional functions
QFN48	QFN32	WLCSP49					
43	-	C3	PB9	I/O	FT	USART_TX, LPUART_CTS, SPI2_MCK, TIM1_CH1N, TIM1_CH2N, I2S2_MCK	Wakeup
44	-	D4	PB8	I/O	FT	USART_CK, LPUART_RX, TIM1_CH4, TIM1_CH1N	Wakeup
45	28	B2	PB7	I/O	FT_f	I2C2_SDA, SPI2_SCK, LPUART_RX, TIM1_CH2, I2S2_SCK	Wakeup
46	29	B3	PB6	I/O	FT_f	I2C2_SCL, SPI2_NSS, LPUART_TX, TIM1_CH1, I2S2_WS	Wakeup
47	30	B4	PB5	I/O	TT	LPUART_RX, SPI2_MOSI, PDM_CLK, I2S2_SD	PGA_VBIAS_MIC ⁽¹⁾ , wakeup
48	31	B5	PB4	I/O	FT	LPUART_TX, SPI2_MISO, PDM_DATA, I2S2_MISO	PGA_VIN, wakeup
-	-	A7	VSSA	S	-	-	Ground analog ADC core
-	-	A3	VSSIO	S	-	-	Ground I/O
-	-	F7	VSSIO	S	-	-	Ground I/O
-	-	F4	VSSIFADC	S	-	-	Ground analog RF
-	-	G1	VSSSX	S	-	-	Ground analog RF
-	-	G3	VSSRFTRX	S	-	-	Ground analog RF
-	-	F3	VSSRF	S	-	-	Ground analog RF
Exposed pad	Exposed pad	-	GND	S	-	-	Ground

1. This pin is not 5 V tolerant.

Table 5. Legend/abbreviations used in the pinout table

Name	Abbreviation	Definition
Pin name	Unless otherwise specified in brackets below, the pin name and the pin function during and after reset are the same as the actual pin name	
Pin type	S	Supply pin
	I	Input only pin
	I/O	Input / output pin
I/O structure	FT	5 V tolerant I/O
	TT	3.6 V tolerant I/O
	RF	RF I/O
	RST	Bidirectional reset pin with weak pull-up resistor
	Options for TT or FT I/Os	
	_f ⁽¹⁾ .	I/O, Fm+ capable
	_a ⁽²⁾ .	I/O, with analog switch function supplied by IO BOOSTER ⁽³⁾
Notes	Unless otherwise specified by a note, all I/Os are set as analog inputs during and after reset	
Pin functions	Alternate functions	Functions selected through GPIOx_AFR registers

Name	Abbreviation	Definition
Pin functions	Additional functions	Functions directly selected/enabled through peripheral registers

1. The related I/O structures in Table 4. Pin description are: FT_f
2. The related I/O structures in Table 4. Pin description are: FT_a
3. IO BOOSTER block allows the good behavior of those switches to be guaranteed when the VBAT goes below 2.7 V. Refer to the BlueNRG-LP reference Manual (RM0479) for more details.

Table 6. Alternate function port A

Port	AF0	AF1	AF2	AF3	AF4	AF5	AF6	AF7	
	I2C1/I2C2/SYS_AF LPUART/ USART	SPI1/SPI2/ SYS_AF/USART/ I2S2	SPI1/SPI2/RTC USART/ TIM/ I2S2	SPI2/ SPI3 LPUART/ I2S2/ I2S3	TIM1	SYS_AF	-	SYS_AF	
Port A	PA0	I2C1_SCL	USART_CTS	SPI2_MCK/ I2S2_MCK	-	TIM1_CH3	-	-	
	PA1	I2C1_SDA	SPI2_MISO/ I2S2_MISO	USART_TX	-	TIM1_CH4	-	-	
	PA2	TMS_SWDIO	USART_CK	TIM_BKIN	SPI3_MCK/ I2S3_MCK	TIM1_CH5	TMS_SWDIO	-	TMS_SWDIO
	PA3	TCK_SWCLK	USART_RTS_DE	TIM_BKIN2	SPI3_SCK/ I2S3_SCK	TIM1_CH6	TCK_SWCLK	-	TCK_SWCLK
	PA4	LCO	SPI2_NSS/ I2S2_WS	-	LPUART_TX	TIM1_CH1	-	-	
	PA5	MCO	SPI2_SCK/ I2S2_SCK	-	LPUART_RX	TIM1_CH2	-	-	
	PA6	LPUART_CTS	SPI2_MOSI/ I2S2_SD	-	SPI2_NSS/ I2S2_WS	TIM1_CH1	-	-	
	PA7	LPUART_RTS_DE	SPI2_MISO/ I2S2_MISO	-	SPI2_SCK/ I2S2_SCK	TIM1_CH2	-	-	
	PA8	USART_RX	SPI1_MOSI	RX_SEQUENCE	SPI3_MISO/ I2S3_MISO	TIM1_CH3	-	-	
	PA9	USART_TX	SPI1_SCK	RTC_OUT	SPI3_NSS/ I2S3_WS	TIM1_CH4	-	-	
	PA10	LCO	SPI1_MISO	TX_SEQUENCE	SPI3_MCK/ I2S3_MCK	TIM1_CH5	-	-	
	PA11	MCO	SPI1_NSS	RX_SEQUENCE	SPI3_MOSI/ I2S3_SD	TIM1_CH6	-	-	
	PA12	I2C1_SMBA	TMS_SWDIO	SPI1_NSS	SPI2_MOSI/ I2S2_SD	TIM1_CH1	-	-	
	PA13	I2C2_SCL	TCK_SWCLK	SPI1_SCK	SPI2_MISO/ I2S2_MISO	TIM1_ETR	-	-	
	PA14	I2C2_SDA	-	SPI1_MISO	-	TIM1_BKIN	-	-	
PA15	I2C2_SMBA	-	SPI1_MOSI	-	TIM1_BKIN2	-	-		

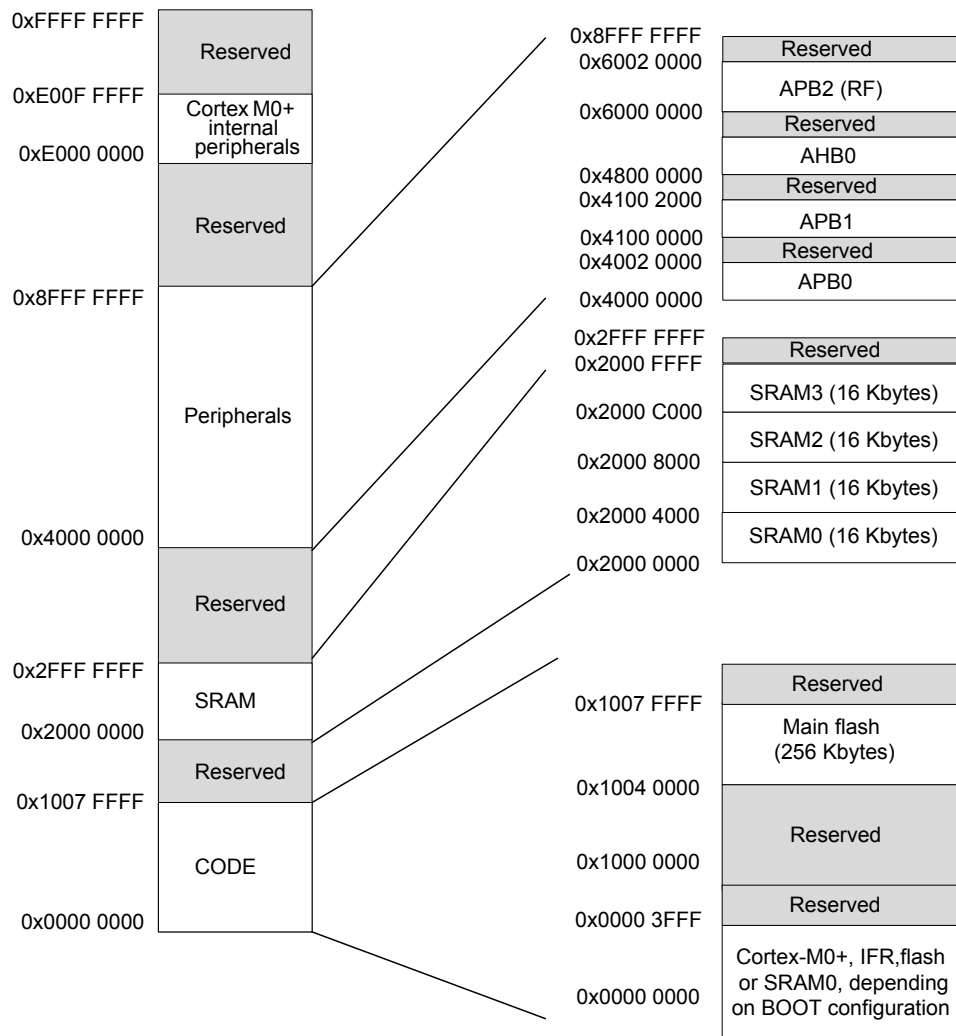
Table 7. Alternate function port B

Port	AF0	AF1	AF2	AF3	AF4	AF5	AF6	AF7
	SPI1/I2C2 USART/ LPUART	PDM/SYS_AF/I2C2 LPUART/SPI2/I2S2	SPI2/I2C1/PDM TIM1/SYS_AF/ I2S2	TIM1/PDM LPUART	TIM1	-	-	USART
Port B	PB0	USART_RX	LPUART_RTS_DE	-	TIM1_CH2N	-	-	-
	PB1	SPI1_NSS	PDM_CLK	-	TIM1_ETR	-	-	-
	PB2	USART_RTS_DE	PDM_DATA	-	TIM1_CH3	-	-	-
	PB3	USART_CTS	LPUART_TX	-	TIM1_CH4	-	-	-
	PB4	LPUART_TX	SPI2_MISO/I2S2_MISO	-	PDM_DATA	-	-	-
	PB5	LPUART_RX	SPI2_MOSI/I2S2_SD	-	PDM_CLK	-	-	-
	PB6	I2C2_SCL	SPI2_NSS/I2S2_WS	-	LPUART_TX	TIM1_CH1	-	-
	PB7	I2C2_SDA	SPI2_SCK/I2S2_SCK	-	LPUART_RX	TIM1_CH2	-	-
	PB8	USART_CK	LPUART_RX	-	TIM1_CH4	TIM1_CH1N	-	-
	PB9	USART_TX	LPUART_CTS	SPI2_MCK/ I2S2_MCK	TIM1_CH1N	TIM1_CH2N	-	-
	PB10	SPI1_NSS	SPI2_SCK/I2S2_SCKK	I2C1_SDA	TIM1_CH2	TIM1_CH3N	-	-
	PB11	SPI1_SCK	SPI2_NSS/I2S2_WS	I2C1_SCL	TIM1_CH1	TIM1_CH4N	-	-
	PB12	SPI1_SCK	LCO	PDM_DATA	TIM1_BKIN	TIM1_CH3	-	-
	PB13	SPI1_MISO	I2C2_SCL	PDM_CLK	TIM1_BKIN2	TIM1_CH4	-	-
	PB14	SPI1_MOSI	I2C2_SDA	TIM1_ETR	TIM1_CH3N	TIM1_CH5	-	-
PB15	I2C1_SMBA	TX_SEQUENCE	MCO	TIM1_CH4N	TIM1_CH6	-	-	USART_TX

4 Memory mapping

Program memory, data memory and registers are organized within the same linear 4-Gbyte address space. The detailed memory map and the peripheral mapping of the BlueNRG-LP can be found in the reference manual (RM0479).

Figure 10. Memory map



DT5811V1

5 Application circuits

The schematics below are purely indicative.

Figure 11. Application circuit: DC-DC converter, QFN48 package

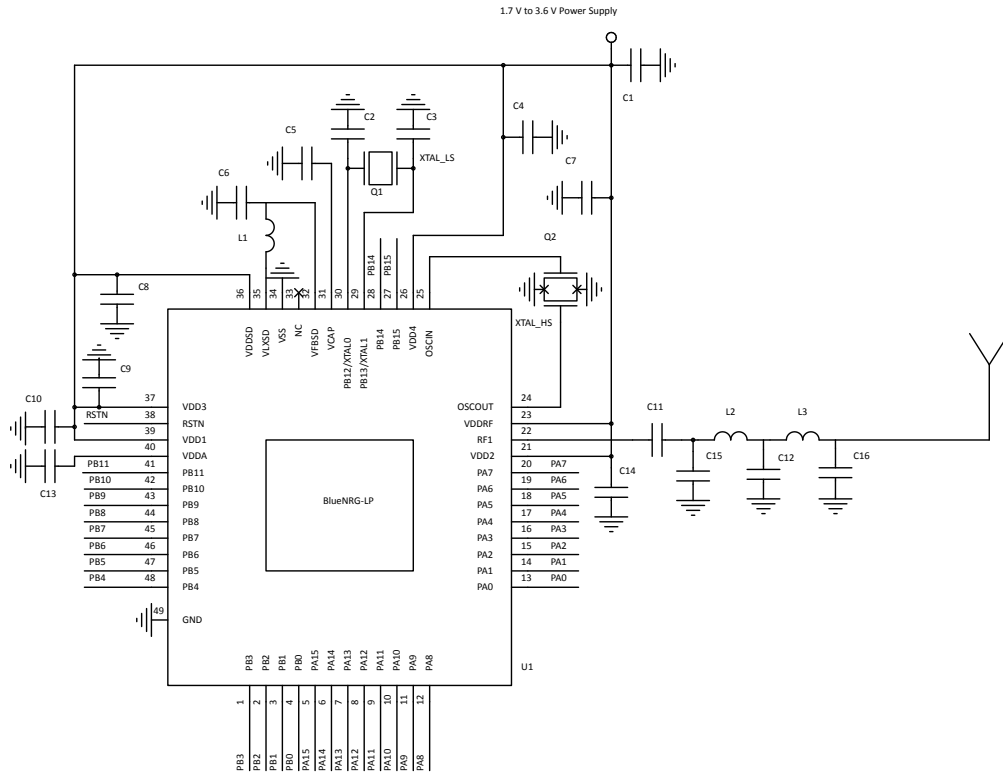
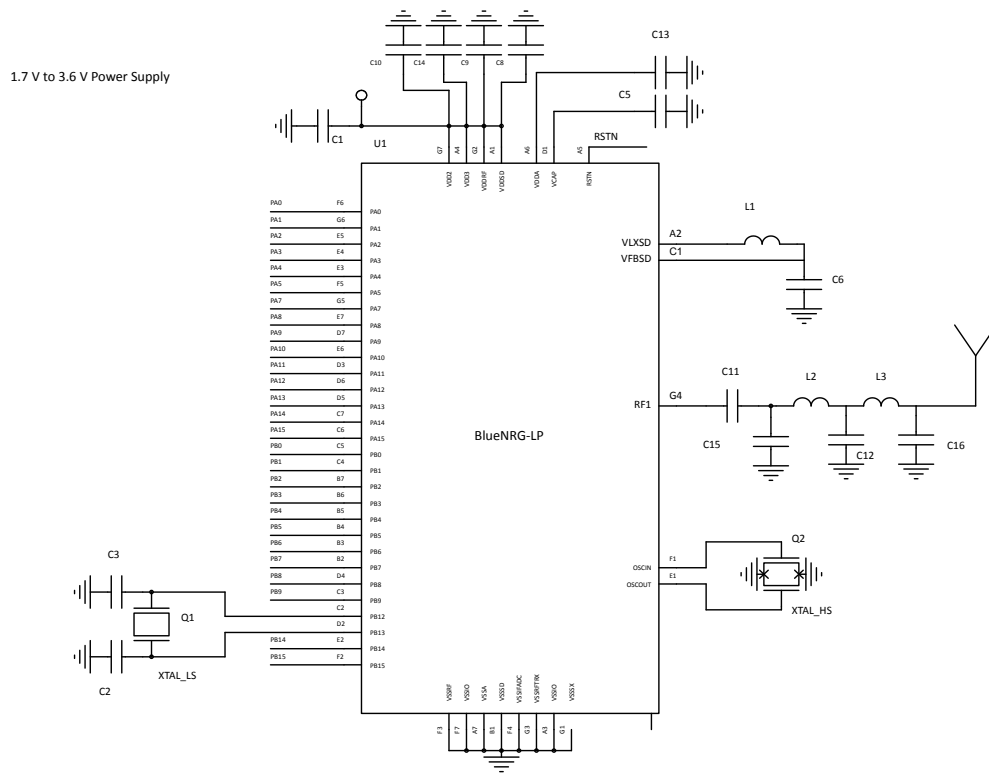
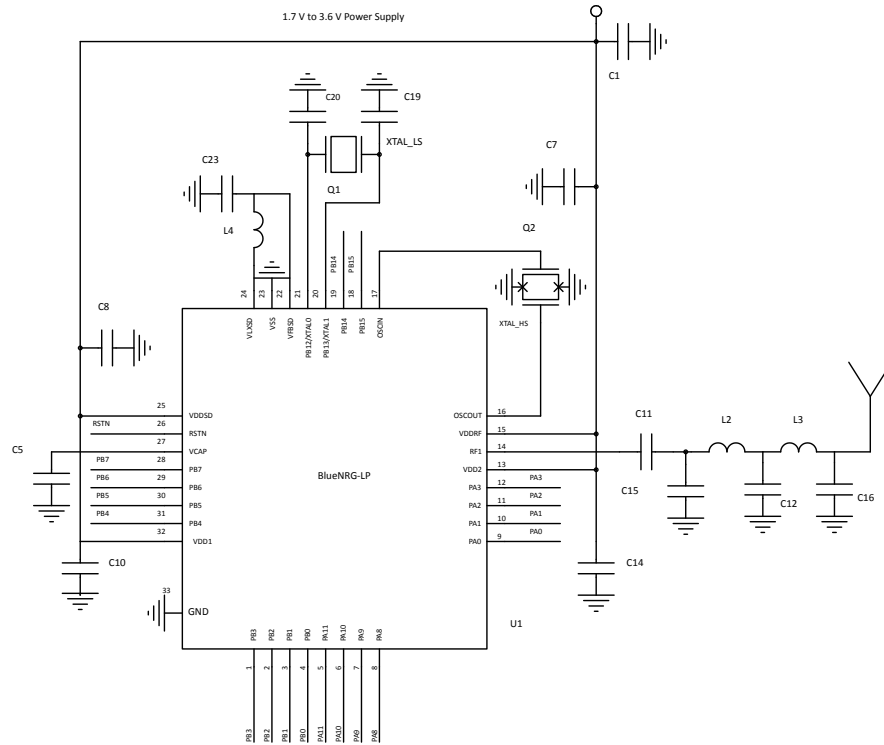


Figure 12. Application circuit: DC-DC converter, WCSP49 package



DT58113V1

Figure 13. Application circuit: DC-DC converter, QFN32 package



DT58114V1

Table 8. Application circuit external components

Component	Description
C1	Decoupling capacitor
C2	32 kHz crystal loading capacitor
C3	32 kHz crystal loading capacitor
C4	Decoupling capacitor
C5	Decoupling capacitor for digital regulator
C6	DC – DC converter output capacitor
C7	Decoupling capacitor
C8	Decoupling capacitor
C9	DC-DC converter output inductor
C10	Decoupling capacitor
C11	Decoupling capacitor
C12	RF matching capacitor
C13	Decoupling capacitor
C14	Decoupling capacitor
C15	RF matching capacitor
C16	RF matching capacitor
L1	DC-DC converter output inductor
L2	RF matching inductor
L3	RF matching capacitor
Q1	Low speed crystal
Q2	High speed crystal
U1	BlueNRG-LP
U2	Low/band pass filter

Note: In order to make the board DC–DC OFF, the inductance L1 must be removed and the supply voltage must be applied to the VFBS pin.

6 Electrical characteristics

6.1 Parameter conditions

Unless otherwise specified, all voltages are referenced to ground (GND).

6.1.1 Minimum and maximum values

Unless otherwise specified, the minimum and maximum values are guaranteed in the following standard conditions:

- Ambient temperature is $T_A = 25\text{ °C}$
- Supply voltage is $V_{DD} = 3.3\text{ V}$
- System clock frequency is 32 MHz (clock source HSI)
- SMPS clock frequency is 4 MHz

Data based on characterization results, design simulation and/or technology characteristics are indicated in the table footnotes and are not tested in production. Based on characterization, the minimum and maximum values refer to sample tests and represent the mean value plus or minus three times the standard deviation (mean $\pm 3\sigma$).

6.1.2 Typical values

Unless otherwise specified, typical data are based on $T_A = 25\text{ °C}$, $V_{DD} = 3.3\text{ V}$. They are given only as design guidelines and are not tested.

Typical ADC accuracy values are determined by characterization of a batch of samples from a standard diffusion lot over the full temperature range, where 95% of the devices have an error less than or equal to the value indicated (mean $\pm 2\sigma$).

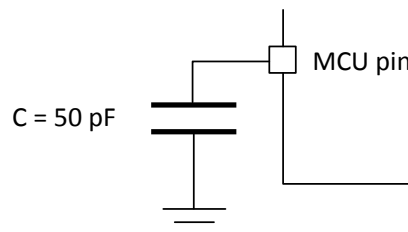
6.1.3 Typical curves

Unless otherwise specified, all typical curves are only given as design guidelines and are not tested.

6.1.4 Loading capacitor

The loading conditions used for pin parameter measurement are shown in the figure below.

Figure 14. Pin loading conditions

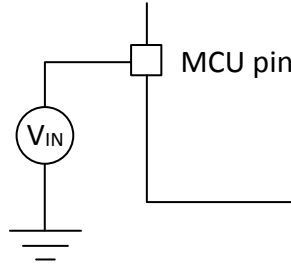


DT57473V1

6.1.5 Pin input voltage

The input voltage measurement on a pin of the device is described in the figure below.

Figure 15. Pin input voltage



DT57474V1

6.2 Absolute maximum ratings

Stresses above the absolute maximum ratings listed in the tables below, may cause permanent damage to the device. These are stress ratings only and functional operation of the device at these conditions is not implied. Exposure to maximum rating conditions for extended periods may affect device reliability.

Table 9. Voltage characteristics

Symbol	Ratings	Min.	Max.	Unit
$V_{DD1}, V_{DD2}, V_{DD3}, V_{DD4}, V_{DDRF}, V_{DDSD}$	DC-DC converter supply voltage input and output	-0.3	+3.9	V
V_{CAP}, V_{DDA}	DC voltage on linear voltage regulator	-0.3	+1.32	
FXTALOUT, FXTALIN	DC Voltage on HSE	-0.3	+1.32	
PA0 to PA15, PB0 to PB4, PB6 to PB15	DC voltage on digital input/output pins	-0.3	+3.9	
V_{LXSD}, V_{FBSD}	DC voltage on analog pins			
XTAL0/PB12, XTAL1/PB13, PB5	DC voltage on XTAL pins and PGA_VBIAS_MIC	-0.3	+3.6	
RF1	DC voltage on RF pin		+1.4	
$ \Delta V_{DD} $	Variations between different V_{DDX} power pins of the same domain	-	50	mV

Note: All the main power and ground pins must always be connected to the external power supply, in the permitted range.

Table 10. Current characteristics

Symbol	Ratings	Max.	Unit
ΣI_{VDD}	Total current into sum of all VDD power lines (source)	130	mA
$\Sigma I_{V_{GND}}$	Total current out of sum of all ground lines (sink)	130	
$I_{VDD(PIN)}$	Maximum current into each VDD power pin (source)	100	
$I_{V_{GND}(PIN)}$	Maximum current out of each ground pin (sink)	100	
$I_{IO(PIN)}$	Output current sunk by any I/O and control pin	20	
	Output current sourced by any I/O and control pin	20	
$\Sigma I_{IO(PIN)}$	Total output current sunk by sum of all I/Os and control pins	100	
	Total output current sourced by sum of all I/Os and control pins	100	

Table 11. Thermal characteristics

Symbol	Ratings	Value	Unit
T_{STG}	Storage temperature range	-40 to -125	°C
T_J	Maximum junction temperature	125	

6.3 Operating conditions

6.3.1 Summary of main performance

Table 12. Main performance SMPS ON

Symbol	Parameter	Test conditions	Typ. $V_{DD} = 1.8\text{ V}$	Typ. $V_{DD} = 3.3\text{ V}$	Unit
I_{CORE}	Core current consumption	SHUTDOWN	8	19	nA
		DEEPSTOP, no timer, wake-up GPIO, RAM0 retained	0.44	0.46	μA
		DEEPSTOP, no timer, wake-up GPIO, all RAM retained	0.62	0.64	
		DEEPSTOP (32 kHz LSI), RAM0 retained	0.94	1.06	
		DEEPSTOP (32 kHz LSI), all RAMs retained	1.12	1.24	
		DEEPSTOP (32 kHz LSE), RAM0 retained	0.64	0.75	
		DEEPSTOP (32 kHz LSE), all RAM retained	0.83	0.94	
		CPU in RUN (64 MHz). Dhrystone, clock source PLL64	-	2719	
		CPU in RUN (32 MHz). Dhrystone, clock source PLL64	-	2188	
		CPU in WFI (64 MHz), all peripherals off, clock source PLL64	-	1708	
		CPU in WFI (16 MHz), all peripherals off, clock source Direct HSE	-	1092	
		Radio RX at sensitivity level	-	3350	
		Radio TX 0 dBm output power	-	4300	
		$I_{DYNAMIC}$	Dynamic current	Computed value: (CPU 64 MHz Dhrystone - CPU 32 MHz Dhrystone) / 32	-

Table 13. Main performance SMPS bypassed

Symbol	Parameter	Test conditions	Typ. $V_{DD} = 1.8\text{ V}$	Typ. $V_{DD} = 3.3\text{ V}$	Unit
I_{CORE}	Core current consumption	SHUTDOWN	8	19	nA
		DEEPSTOP, no timer, wake-up GPIO, RAM0 retained	0.44	0.46	μA
		DEEPSTOP, no timer, wake-up GPIO, all RAM retained	0.62	0.64	
		DEEPSTOP (32 kHz LSI), RAM0 retained	0.94	1.06	
		DEEPSTOP (32 kHz LSI), all RAMs retained	1.12	1.24	
		DEEPSTOP (32 kHz LSE), RAM0 retained	0.64	0.75	
		DEEPSTOP (32 kHz LSE), all RAM retained	0.83	0.94	
		CPU in RUN (64 MHz), Dhystone, clock source PLL64	-	4482	
		CPU in WFI (64 MHz), all peripherals off, clock source PLL64	-	2230	
		CPU in WFI (16 MHz), all peripherals off, clock source direct HSE	-	757	
		Radio RX at sensitivity level	-	6700	
		Radio TX 0 dBm output power	-	8900	

Table 14. Peripheral current consumption at VDD = 3.3 V, sysclk at 32 MHz, SMPS on

Parameter	Test conditions	Typ.	Unit
ADC	-	80	μA
DMA	-	39	
GPIOA	-	2	
GPIOB	-	2	
I2C1	-	40	
I2C2	-	39	
I2S2	Peripheral clock at 32 MHz	46	
I2S3	Peripheral clock at 32 MHz	47	
IWDG	-	11	
LPUART	-	52	
PVD	-	0.8	
PKA	-	50	
RNG	-	64	
RTC	-	14	
SPI1	-	35	
SPI2	Peripheral clock at 16 MHz	40	
SPI3	Peripheral clock at 16 MHz	42	
Systick	-	8	
TIM1	-	248	
USART	-	81	
SYSCFG	-	33	
THSENS	-	301	
CRC	-	9	

6.3.2 General operating conditions

Table 15. General operating conditions

Symbol	Parameter	Conditions	Min.	Max.	Unit
f _{HCLK}	Internal AHB clock frequency	-	1	64	MHz
f _{PCLK0}	Internal APB0 clock	-	1	64	
f _{PCLK1}	Internal APB1 clock frequency	-	1	64	
f _{PCLK2}	Internal APB2 clock frequency	-	16	32	
V _{DD}	Standard operating voltage	-	1.7	3.6	V
V _{FBSMPS}	SMPS feedback voltage	-	1.4	3.6	
V _{DDRF}	Minimum RF voltage	-	1.7	3.6	
V _{IN}	I/O input voltage	-	-0.3	V _{DD} +0.3	
P _D	Power dissipation at T _A =105 °C ⁽¹⁾	QFN48 package	-	30	mW
		QFN32 package			
T _A	Ambient temperature	Maximum power dissipation	-40	105	°C
T _J	Junction temperature range	-	-40	105	-

1. T_A cannot exceed the T_J max.

6.3.3 RF general characteristics

All performance data are referred to a 50 Ω antenna connector, via reference design.

Table 16. Bluetooth Low Energy RF general characteristics

Symbol	Parameter	Test conditions	Min.	Typ.	Max.	Unit
F _{RANGE}	Frequency range ⁽¹⁾	-	2400	-	2483.5	MHz
RF _{CH}	RF channel center frequency ⁽¹⁾	-	2402	-	2480	
PLL _{RES}	RF channel spacing ⁽¹⁾	-	-	2	-	MHz
ΔF	Frequency deviation ⁽¹⁾	-	-	250	-	kHz
Δf_1	Frequency deviation average ⁽¹⁾	-	450	-	550	kHz
C _{Fdev}	Center frequency deviation ⁽¹⁾	During the packet and including both initial frequency offset and drift	-	-	± 150	kHz
Δf_a	Frequency deviation Δf_2 (average) / Δf_1 (average) ⁽¹⁾	-	0.80	-	-	-
R _{gfsk}	On-air data rate ⁽¹⁾	-	1	-	2	Mbps
ST _{acc}	Symbol time accuracy ⁽¹⁾	-	-	-	± 50	ppm
MOD	Modulation scheme	-	GFSK			-
BT	Bandwidth-bit period product	-	-	0.5	-	-
M _{index}	Modulation index ⁽¹⁾	-	0.45	0.5	0.55	-
P _{MAX}	Maximum output	At antenna connector, V _{SMPS} = 1.9 V, LDO code	-	+8	-	dBm
P _{MIN}	Minimum output	At antenna connector	-	-20	-	dBm
P _{RFC}	RF power accuracy	@ 27 °C	-	± 1.5	-	dB
		All temperatures	-	± 2.5	-	

1. Tested according to Bluetooth SIG radio frequency physical layer (RF PHY) test suite (not tested in production).

6.3.4 RF transmitter characteristics

All performance data are referred to a 50 Ω antenna connector, via reference design.

Table 17. Bluetooth Low Energy RF transmitter characteristics at 1 Mbps not coded

Symbol	Parameter	Test conditions	Min.	Typ.	Max.	Unit
P _{BW1M}	6 dB bandwidth for modulated carrier	Using resolution bandwidth of 100 kHz	500	-	-	kHz
P _{RF1} , 1 Ms/s	In-band emission at ±2 MHz ⁽¹⁾	Using resolution bandwidth of 100 kHz and average detector	-	-	-20	dBm
P _{RF2} , 1 Ms/s	In-band emission at ±[3+n]MHz, where n=0,1,2.. ⁽¹⁾	Using resolution bandwidth of 100 kHz and average detector	-	-	-30	dBm
P _{SPUR}	Spurious emission	Harmonics included. Using resolution bandwidth of 1 MHz and average detector	-	-	-41	dBm
Freq _{drift}	Frequency drift ⁽¹⁾	Integration interval #n – integration interval #0, where n=2,3,4..k	-50	-	+50	kHz
IFreq _{drift}	Initial carrier frequency drift ⁽¹⁾	Integration interval #1 – integration interval #0	-23	-	+23	kHz
IntFreq _{drift}	Intermediate carrier frequency drift ⁽¹⁾	Integration interval #n – integration interval #(n-5), where n=6,7,8..k	-20	-	+20	kHz
Drift Rate max	Maximum drift rate ⁽¹⁾	Between any two 10-bit groups separated by 50 μs	-20	-	+20	kHz/50 μs
Z _{RF1}	Optimum RF load (impedance at RF1 pin)	@ 2440 MHz	-	40	-	Ω

1. Tested according to Bluetooth SIG radio frequency physical layer (RF PHY) test suite (not tested in production).

Table 18. Bluetooth Low Energy RF transmitter characteristics at 2 Mbps not coded

Symbol	Parameter	Test conditions	Min.	Typ.	Max.	Unit
P _{BW1M}	6 dB bandwidth for modulated carrier	Using resolution bandwidth of 100 kHz	670	-	-	kHz
P _{RF1} , 2 Ms/s	In-band emission at ±4 MHz ⁽¹⁾	Using resolution bandwidth of 100 kHz and average detector	-	-	-20	dBm
P _{RF2} , 2 Ms/s	In-band emission at ±5 MHz ⁽¹⁾	Using resolution bandwidth of 100 kHz and average detector	-	-	-20	dBm
P _{RF3} , 2 Ms/s	In-band emission at ±[6+n]MHz, where n=0,1,2.. ⁽¹⁾	Using resolution bandwidth of 100 kHz and average detector	-	-	-30	dBm
P _{SPUR}	Spurious emission	Harmonics included. Using resolution bandwidth of 1 MHz and average detector	-	-	-41	dBm
Freq _{drift}	Frequency drift ⁽¹⁾	Integration interval #n – integration interval #0, where n=2,3,4..k	-50	-	+50	kHz
IFreq _{drift}	Initial carrier frequency drift ⁽¹⁾	Integration interval #1 – integration interval #0	-23	-	+23	kHz
IntFreq _{drift}	Intermediate carrier frequency drift ⁽¹⁾	Integration interval #n – integration interval #(n-5), where n=6,7,8..k	-20	-	+20	kHz
DriftRate _{max}	Maximum drift rate ⁽¹⁾	Between any two 20-bit groups separated by 50 μs	-20	-	+20	kHz/50 μs
Z _{RF1}	Optimum RF load (impedance at RF1 pin)	@ 2440 MHz	-	40	-	Ω

1. Tested according to Bluetooth SIG radio frequency physical layer (RF PHY) test suite (not tested in production).

Table 19. Bluetooth Low Energy RF transmitter characteristics at 1 Mbps LE coded (S=8)

Symbol	Parameter	Test conditions	Min.	Typ.	Max.	Unit
P _{BW}	6 dB bandwidth for modulated carrier	Using resolution bandwidth of 100 kHz	500	-	-	kHz
P _{RF1, LE coded}	In-band emission at ± 2 MHz ⁽¹⁾	Using resolution bandwidth of 100 kHz and average detector	-	-	-20	dBm
P _{RF2, LE coded}	In-band emission at $\pm[3+n]$ MHz, where n=0,1,2.. ⁽¹⁾	Using resolution bandwidth of 100 kHz and average detector	-	-	-30	dBm
P _{SPUR}	Spurious emission	Harmonics included. Using resolution bandwidth of 1 MHz and average detector	-	-	-41	dBm
Freq _{drift}	Frequency drift ⁽¹⁾	Integration interval #n – integration interval #0, where n=1,2,3..k	-50	-	+50	kHz
IFreq _{drift}	Initial carrier frequency drift ⁽¹⁾	Integration interval #3 – integration interval #0	-19.2	-	+19.2	kHz
IntFreq _{drift}	Intermediate carrier frequency drift ⁽¹⁾	Integration interval #n – integration interval #(n-3), where n=7,8,9..k	-19.2	-	+19.2	kHz
DriftRate _{max}	Maximum drift rate ⁽¹⁾	Between any two 16-bit groups separated by 48 μ s	-19.2	-	+19.2	kHz/48 μ s
Z _{RF1}	Optimum RF load (Impedance at RF1 pin)	@ 2440 MHz	-	40	-	Ω

1. Tested according to Bluetooth SIG radio frequency physical layer (RF PHY) test suite (not tested in production).

6.3.5 RF receiver characteristics

All performance data are referred to a 50 Ω antenna connector, via reference design.

Table 20. Bluetooth Low Energy RF receiver characteristics at 1 Msym/s uncoded

Symbol	Parameter	Test conditions	Min.	Typ.	Max.	Unit
RX _{SENS}	Sensitivity	PER < 30.8%	-	-97	-	dBm
P _{SAT}	Saturation	PER < 30.8%	-	8	-	dBm
Z _{RF1}	Optimum RF source (impedance at RF1 pin)	@ 2440 MHz	-	40	-	Ω
RF selectivity with BLE equal modulation on interfering signal						
C/I _{CO-channel}	Co-channel interference $f_{RX} = f_{interference}$	Wanted signal = -67 dBm, PER < 30.8%	-	8	-	dBc
C/I _{1 MHz}	Adjacent interference $f_{interference} = f_{RX} \pm 1 \text{ MHz}$	Wanted signal = -67 dBm, PER < 30.8%	-	-1	-	dBc
C/I _{2 MHz}	Adjacent Interference $f_{interference} = f_{RX} \pm 2 \text{ MHz}$	Wanted signal = -67 dBm, PER < 30.8%	-	-35	-	dBc
C/I _{3 MHz}	Adjacent interference $f_{interference} = f_{RX} \pm (3+n) \text{ MHz}$ [n = 0,1,2...]	Wanted signal = -67 dBm, PER < 30.8%	-	-47	-	dBc
C/I _{Image}	Image frequency interference $f_{interference} = f_{image}$	Wanted signal = -67 dBm, PER < 30.8%	-	-25	-	dBc
C/I _{Image±1 MHz}	Adjacent channel-to-image frequency $f_{interference} = f_{image} \pm 1 \text{ MHz}$	Wanted signal = -67 dBm, PER < 30.8%	-	-25	-	dBc
Out of band blocking (interfering signal CW)						
C/I _{Block}	Interfering signal frequency 30 MHz – 2000 MHz	Wanted signal = -67 dBm, PER < 30.8%, measurement resolution 10 MHz	-	5	-	dB
C/I _{Block}	Interfering signal frequency 2003 MHz – 2399 MHz	Wanted signal = -67 dBm, PER < 30.8%, measurement resolution 3 MHz	-	-5	-	dB
C/I _{Block}	Interfering signal frequency 2484 MHz – 2997 MHz	Wanted signal = -67 dBm, PER < 30.8%, measurement resolution 3 MHz	-	-5	-	dB
C/I _{Block}	Interfering signal frequency 3000 MHz – 12.75 GHz	Wanted signal = -67 dBm, PER < 30.8%, measurement resolution 25 MHz	-	10	-	dB
Intermodulation characteristics (CW signal at f ₁ , BLE interfering signal at f ₂)						
P_IM(3)	Input power of IM interferer at 3 and 6 MHz distance from wanted signal	Wanted signal = -64 dBm, PER < 30.8%	-	-27	-	dBm
P_IM(-3)	Input power of IM interferer at -3 and -6 MHz distance from wanted signal	Wanted signal = -64 dBm, PER < 30.8%	-	-40	-	dBm
P_IM(4)	Input power of IM interferer at ±4 and ±8 MHz distance from wanted signal	Wanted signal = -64 dBm, PER < 30.8%	-	-32	-	dBm
P_IM(5)	Input power of IM interferer at ±5 and ±10 MHz distance from wanted signal	Wanted signal = -64 dBm, PER < 30.8%	-	-32	-	dBm

Table 21. Bluetooth Low Energy RF receiver characteristics at 2 Msym/s uncoded

Symbol	Parameter	Test conditions	Min.	Typ.	Max.	Unit
RX _{SENS}	Sensitivity	PER < 30.8%	-	-94	-	dBm

Symbol	Parameter	Test conditions	Min.	Typ.	Max.	Unit
P_{SAT}	Saturation	PER < 30.8%	-	8	-	dBm
Z_{RF1}	Optimum RF source (impedance at RF1 pin)	@ 2440 MHz	-	40	-	Ω
RF selectivity with BLE equal modulation on interfering signal						
$C/I_{CO-channel}$	Co-channel interference $f_{RX} = f_{interference}$	Wanted signal= -67 dBm, PER < 30.8%	-	8	-	dBc
$C/I_{2\text{ MHz}}$	Adjacent interference $f_{interference} = f_{RX} \pm 2\text{ MHz}$	Wanted signal = -67 dBm, PER < 30.8%	-	-14	-	dBc
$C/I_{4\text{ MHz}}$	Adjacent interference $f_{interference} = f_{RX} \pm 4\text{ MHz}$	Wanted signal = -67 dBm, PER < 30.8%	-	-41	-	dBc
$C/I_{6\text{ MHz}}$	Adjacent interference $f_{interference} = f_{RX} \pm (6+2n)\text{ MHz}$ [n = 0,1,2...]	Wanted signal = -67 dBm, PER < 30.8%	-	-45	-	dBc
C/I_{Image}	Image frequency interference $f_{interference} = f_{image-2M}$	Wanted signal = -67 dBm, PER < 30.8%	-	-25	-	dBc
$C/I_{Image\pm 1\text{ MHz}}$	Adjacent channel-to-image frequency	Wanted signal= -67 dBm, PER < 30.8%	-	-14	-	dBc
	$f_{interference} = f_{image-2M} \pm 2\text{ MHz}$		-			
Out of band blocking (interfering signal CW)						
C/I_{Block}	Interfering signal frequency 30 MHz – 2000 MHz	Wanted signal= -67 dBm, PER < 30.8%, measurement resolution 10 MHz	-	5	-	dB
C/I_{Block}	Interfering signal frequency 2003 MHz – 2399 MHz	Wanted signal= -67 dBm, PER < 30.8%, measurement resolution 3 MHz	-	-5	-	dB
C/I_{Block}	Interfering signal frequency 2484 MHz – 2997 MHz	Wanted signal= -67 dBm, PER < 30.8%, measurement resolution 3 MHz	-	-5	-	dB
C/I_{Block}	Interfering signal frequency 3000 MHz – 12.75 GHz	Wanted signal= -67 dBm, PER < 30.8%, measurement resolution 25 MHz	-	10	-	dB
Intermodulation characteristics (CW signal at f_1 , BLE interfering signal at f_2)						
$P_{IM(6)}$	Input power of IM interferer at 6 and 12 MHz distance from wanted signal	Wanted signal= -64 dBm, PER < 30.8%	-	-27	-	dBm
$P_{IM(-6)}$	Input power of IM interferer at -6 and -12 MHz distance from wanted signal	Wanted signal= -64 dBm, PER < 30.8%	-	-30	-	dBm
$P_{IM(8)}$	Input power of IM interferer at ± 8 and ± 16 MHz distance from wanted signal	Wanted signal= -64 dBm, PER < 30.8%	-	-30	-	dBm
$P_{IM(10)}$	Input power of IM interferer at ± 10 and ± 20 MHz distance from wanted signal	Wanted signal= -64 dBm, PER < 30.8%	-	-28	-	dBm

Table 22. Bluetooth Low Energy RF receiver characteristics at 1 Msym/s LE coded (S=2)

Symbol	Parameter	Test conditions	Min.	Typ.	Max.	Unit
RX _{SENS}	Sensitivity	PER < 30.8%	-	-100	-	dBm
P _{SAT}	Saturation	PER < 30.8%		8	-	dBm
Z _{RF1}	Optimum RF source (impedance at RF1 pin)	@ 2440 MHz		40	-	Ω
RF selectivity with BLE equal modulation on interfering signal						
C/I _{CO-channel}	Co-channel interference $f_{RX} = f_{interference}$	Wanted signal = -79 dBm, PER < 30.8%	-	2	-	dBc
C/I _{1 MHz}	Adjacent interference $f_{interference} = f_{RX} \pm 1$ MHz	Wanted signal = -79 dBm, PER < 30.8%		-5	-	dBc
C/I _{2 MHz}	Adjacent interference $f_{interference} = f_{RX} \pm 2$ MHz	Wanted signal = -79 dBm, PER < 30.8%		-38	-	dBc
C/I _{3 MHz}	Adjacent interference $f_{interference} = f_{RX} \pm (3+n)$ MHz [n = 0,1,2...]	Wanted signal = -79 dBm, PER < 30.8%		-50	-	dBc
C/I _{Image}	Image frequency interference $f_{interference} = f_{image}$	Wanted signal = -79 dBm, PER < 30.8%		-30	-	dBc
C/I _{Image±1 MHz}	Adjacent channel-to-image frequency $f_{interference} = f_{image} \pm 1$ MHz	Wanted signal = -79 dBm, PER < 30.8%		-34	-	dBc

Table 23. Bluetooth Low Energy RF receiver characteristics at 1 Msym/s LE coded (S=8)

Symbol	Parameter	Test conditions	Min.	Typ.	Max.	Unit
RX _{SENS}	Sensitivity	PER < 30.8%	-	-104	-	dBm
P _{SAT}	Saturation	PER < 30.8%		8	-	dBm
Z _{RF1}	Optimum RF source (impedance at RF1 pin)	@ 2440 MHz		40	-	Ω
RF selectivity with BLE equal modulation on interfering signal						
C/I _{CO-channel}	Co-channel interference $f_{RX} = f_{interference}$	Wanted signal = -79 dBm, PER < 30.8%	-	1	-	dBc
C/I _{1 MHz}	Adjacent interference $f_{interference} = f_{RX} \pm 1$ MHz	Wanted signal = -79 dBm, PER < 30.8%		-4	-	dBc
C/I _{2 MHz}	Adjacent interference $f_{interference} = f_{RX} \pm 2$ MHz	Wanted signal = -79 dBm, PER < 30.8%		-39	-	dBc
C/I _{3 MHz}	Adjacent interference $f_{interference} = f_{RX} \pm (3+n)$ MHz [n = 0,1,2...]	Wanted signal = -79 dBm, PER < 30.8%		-53	-	dBc
C/I _{Image}	Image frequency interference $f_{interference} = f_{image}$	Wanted signal = -79 dBm, PER < 30.8%		-33	-	dBc
C/I _{Image ± 1 MHz}	Adjacent channel-to-image frequency $f_{interference} = f_{image} \pm 1$ MHz	Wanted signal = -79 dBm, PER < 30.8%		-32	-	dBc

6.3.6 Embedded reset and power control block characteristics

Table 24. Embedded reset and power control block characteristics

Symbol	Parameter	Test conditions	Min.	Typ.	Max.	Unit
TRSTTEMPO	Reset temporization after PDR is detected	V _{DD} rising	-	-	500	us
V _{PDR}	Power-down reset threshold	-	-	1.63	-	V
V _{PVD0}	PVD0 threshold	PVD0 threshold at the falling edge of V _{DDIO}	-	2.05	-	
V _{PVD1}	PVD1 threshold	PVD1 threshold at the falling edge of V _{DDIO}	-	2.21	-	
V _{PVD2}	PVD2 threshold	PVD2 threshold at the falling edge of V _{DDIO}	-	2.36	-	
V _{PVD3}	PVD3 threshold	PVD3 threshold at the falling edge of V _{DDIO}	-	2.53	-	
V _{PVD4}	PVD4 threshold	PVD4 threshold at the falling edge of V _{DDIO}	-	2.64	-	
V _{PVD5}	PVD5 threshold	PVD5 threshold at the falling edge of V _{DDIO}	-	2.82	-	
V _{PVD6}	PVD6 threshold	PVD6 threshold at the falling edge of V _{DDIO}	-	2.91	-	
V _{PVD7}	PVD threshold for V _{IN_PVD}	PVD7 threshold (VBGP) at the falling edge of V _{IN_PVD}	-	1.2	-	

6.3.7 Supply current characteristics

The current consumption is a function of several parameters and factors such as: the operating voltage, ambient temperature, I/O pin loading, device software configuration, operating frequencies, I/O pin switching rate, program location in memory and executed binary code.

The MCU is put under the following conditions:

- All I/O pins are in analog input mode
- All peripherals are disabled except when explicitly mentioned
- The flash memory access time is adjusted with the minimum wait states number
- When the peripherals are enabled $f_{PCLK} = f_{HCLK}$

Table 25. Current consumption

Symbol	Parameter	Conditions	Typ.			Unit
			25 °C	85 °C	105 °C	
I _{DD} (RUN)	Supply current in RUN mode	f _{HCLK} = 64 MHz All peripherals disabled	2.40	2.49	2.54	mA
		f _{HCLK} = 32 MHz All peripherals disabled	1.98	2.03	2.08	
		f _{HCLK} = 16 MHz All peripherals disabled	1.62	1.67	1.71	
I _{DD} (DEEPSTOP)	Supply current in DEEPSTOP ⁽¹⁾	Timer OFF	0.65	6.73	15.73	µA
		Timer source LSI	1.25	7.41	16.46	
		Timer source LSI RTC ON	1.30	7.56	16.70	
		Timer source LSI IWDG ON	1.27	7.47	16.55	
		Timer source LSI RTC and IWDG ON	1.33	7.61	16.79	

Symbol	Parameter	Conditions	Typ.			Unit
			25 °C	85 °C	105 °C	
I _{DD} (DEEPSTOP)	Supply current in DEEPSTOP ⁽¹⁾	Timer source LSE	1.00	7.16	16.22	μA
		Timer source LSE RTC ON	1.06	7.31	16.45	
		Timer source LSE IWDG ON	1.02	7.22	16.30	
		Timer source LSE RTC and IWDG ON	1.07	7.36	16.54	
I _{DD} (SHUTDOWN)	Supply current in SHUTDOWN	-	0.02	0.46	1.36	
I _{DD} (RST)	Current under reset condition	-	1.34	1.45	1.55	mA

1. The current consumption in DEEPSTOP is measured considering the entire SRAM retained.

6.3.8 Wake-up time from low power modes

The wake-up times reported are the latency between the event and the execution of the instruction. The device goes to low-power mode after WFI (wait for interrupt) instructions.

Table 26. Low power mode wake-up timing

Symbol	Parameter	Conditions	Typ.	Unit
T _{WUDEEPSTOP}	Wake-up time from DEEPSTOP mode to RUN mode	Wake-up from GPIO V _{DD} = 3.3 V flash memory	110	μs

6.3.9 High speed crystal requirements

The high speed external oscillator must be supplied with an external 32 MHz crystal that is specified for a 6 to 8 pF loading capacitor. The BlueNRG-LP includes internal programmable capacitances that can be used to tune the crystal frequency in order to compensate the PCB parasitic one. These internal load capacitors are made by a fixed one, in parallel with a 6-bit binary weighted capacitor bank. Thanks to low CL step size (LSB is typically 0.07 pF), very fine crystal tuning is possible. With a typical XTAL sensitivity of -14 ppm/pF, it is possible to trim a 32 MHz crystal, with a resolution of 1 ppm.

The requirements for the external 32 MHz crystal are reported in the table below.

Table 27. HSE crystal requirements

Symbol	Parameter	Conditions	Min.	Typ.	Max.	Unit
f _{NOM}	Oscillator frequency	-	-	32	-	MHz
f _{TOL}	Frequency tolerance	Includes initial accuracy, stability over temperature, aging and frequency pulling due to incorrect load capacitance	-	-	±50	ppm
ESR	Equivalent series resistance	-	-	-	100	Ω
P _D	Drive level	-	-	-	100	μW
CL	HSE crystal load capacitance	27 °C, typical corner GMCONF = 3	5 ⁽¹⁾	7 ⁽²⁾	9.2 ⁽³⁾	pF
CLstep	HSE crystal load capacitance LSB value	27 °C, GMCONF = 3 XOTUNE code between 32 and 33	-	0.07	-	pF

1. XOTUNE programed at minimum code = 0
2. XOTUNE programed at center code = 32
3. XOTUNE programed at maximum code = 63

6.3.10 Low speed crystal requirements

Low speed clock can be supplied with an external 32.768 kHz crystal oscillator. Requirements for the external 32.768 kHz crystal are reported in the table below.

Table 28. LSE crystal requirements

Symbol	Parameter	Conditions	Min.	Typ.	Max.	Unit
f_{NOM}	Nominal frequency	-	-	32.768	-	kHz
ESR	Equivalent series resistance	-	-	-	90	k Ω
P_{D}	Drive level	-	-	-	0.1	μW

6.3.11 High speed ring oscillator characteristics

Table 29. HSI oscillator characteristics

Symbol	Parameter	Conditions	Min.	Typ.	Max.	Unit
f_{NOM}	Nominal frequency	-	-	64	-	MHz

6.3.12 Low speed ring oscillator characteristics

Table 30. LSI oscillator characteristics

Symbol	Parameter	Conditions	Min.	Typ.	Max.	Unit
f_{NOM}	Nominal frequency	-	-	33	-	kHz
$\Delta f_{\text{RO_}\Delta T}/f_{\text{RO}}$	Frequency spread vs. temperature	Standard deviation	-	140	-	ppm/ $^{\circ}\text{C}$

6.3.13 PLL characteristics

Characteristics measured over recommended operating conditions unless otherwise specified.

Table 31. PLL characteristics

Symbol	Parameter	Conditions	Min.	Typ.	Max.	Unit
PN_{SYNTH}	RF carrier phase noise	At ± 1 MHz offset from carrier (measured at 2.4 GHz)	-	-110	-	dBc/Hz
		At 2.4 GHz ± 3 MHz offset from carrier (measured at 2.4 GHz)	-	-114	-	dBc/Hz
		At 2.4 GHz ± 6 MHz offset from carrier (measured at 2.4 GHz)	-	-128	-	dBc/Hz
		At ± 25 MHz offset from carrier	-	-135	-	dBc/Hz
$LOCK_{\text{TIMETX}}$	PLL lock time to TX	With calibration @2.5 ppm	-	150	-	μs
$LOCK_{\text{TIMERX}}$	PLL lock time to RX	With calibration @2.5 ppm	-	110	-	μs
$LOCK_{\text{TIMERXTX}}$	PLL lock time RX to TX	Without calibration @2.5 ppm	-	47	-	μs
$LOCK_{\text{TIMETXRX}}$	PLL lock time TX to RX	Without calibration @2.5 ppm	-	32	-	μs

6.3.14 Flash memory characteristics

The characteristics below are guaranteed by design.

Table 32. Flash memory characteristics

Symbol	Parameter	Test conditions	Typ.	Max.	Unit
t_{prog}	32-bit programming time	-	20	40	μs
t_{prog_burst}	4x32-bit burst programming time	-	4x20	4x40	
t_{ERASE}	Page (2 kbyte) erase time	-	20	40	ms
t_{ME}	Mass erase time	-	20	40	
I_{DD}	Average consumption from V_{DD}	Write mode	3	-	mA
		Erase mode	3	-	
		Mass erase	5	-	

Table 33. Flash memory endurance and data retention

Symbol	Parameter	Test conditions	Min.	Unit
N_{END}	Endurance	$T_A = -40$ to $+105$ °C	10	kcycles
t_{RET}	Data retention	$T_A = 105$ °C	10	Years

6.3.15 Electrostatic discharge (ESD)

Electrostatic discharges (a positive then a negative pulse separated by 1 second) are applied to the pins of each sample according to each pin combination. The sample size depends on the number of supply pins in the device (3 parts x (n + 1) supply pins). This test conforms to the ANSI/JEDEC standard.

Table 34. ESD absolute maximum ratings

Symbol	Parameter	Conditions	Class	Max. ⁽¹⁾	Unit
$V_{ESD(HBM)}$	Electrostatic discharge voltage (human body model)	Conforming to ANSI/ESDA/JEDEC JS-001	2	2000	V
$V_{ESD(CBM)}$	Electrostatic discharge voltage (charge device model)	Conforming to ANSI/ESDA/STM5.3.1 JS-002	C2a	500	

1. Guaranteed by design.

6.3.16 I/O port characteristics

Unless otherwise specified, the parameters given in the tables below are derived from tests performed under the conditions summarized in Section 6.3.2 General operating conditions. All I/Os are designed as CMOS-compliant. The characteristics below are guaranteed by characterization.

Table 35. I/O static characteristics

Symbol	Parameter	Conditions	Min.	Typ.	Max.	Unit
V_{IL}	I/O input low level voltage	$1.62\text{ V} < V_{DD} < 3.6\text{ V}$	-	-	$0.3 \times V_{DD}$	V
V_{IH}	I/O input high level voltage		$0.7 \times V_{DD}$	-	-	
I_{lkg}	Input leakage current	$0 \leq V_{IN} \leq \text{Max}(V_{DDx})^{(1)}$	-	-	+/-100	nA
		$\text{Max}(V_{DDx})^{(1)} \leq V_{IN} \leq \text{Max}(V_{DDx})^{(1)} + 1\text{ V}$	-	-	650	
		$\text{Max}(V_{DDx})^{(1)} + 1\text{ V} < V_{IN} \leq 5.5\text{ V}$	-	-	200	
R_{PU}	Pull-up resistor	$V_{IN} = \text{GND}$	25	40	55	k Ω
R_{PD}	Pull-down resistor	$V_{IN} = V_{DD}$	25	40	55	
C_{IO}	I/O pin capacitance	-	-	5	-	pF

1. $\text{Max}(V_{DDx})$ is the maximum value among all the I/O supplies.

All I/Os are CMOS-compliant (no software configuration required).

GPIOs (general purpose input/outputs) can sink or source up to $\pm 8\text{ mA}$ and sink or source up to $\pm 20\text{ mA}$ (with a relaxed V_{OL} / V_{OH}).

In the user application, the number of I/O pins that can drive current must be limited to respect the absolute maximum rating specified.

- The sum of currents sourced by all I/Os on VDD, plus the maximum consumption of MCU sourced on VDD, cannot exceed the absolute maximum rating ΣI_{VDD}
- The sum of currents sunk by all I/Os on VSS, plus the maximum consumption of the MCU sunk on GND, cannot exceed the absolute maximum rating $\Sigma I_{V_{GND}}$

The characteristics below are guaranteed by characterization.

Table 36. Output voltage characteristics

Symbol	Parameter	Conditions	Min.	Max.	Unit
V_{OL}	Output low level voltage for I/O pin	CMOS port ⁽¹⁾ $ I_{IO} = 8\text{ mA}$ $V_{DD} \geq 2.7\text{ V}$	-	0.4	V
V_{OH}	Output high level voltage for I/O pin		$V_{DD} - 0.4$	-	
V_{OL}	Output low level voltage for I/O pin	$ I_{IO} = 20\text{ mA}$ $V_{DD} \geq 2.7\text{ V}$	-	1.3	
V_{OH}	Output high level voltage for I/O pin		$V_{DD} - 1.3$	-	
V_{OL}	Output low level voltage for I/O pin	$ I_{IO} = 4\text{ mA}$ $V_{DD} \geq 1.62\text{ V}$	-	0.4	
V_{OH}	Output high level voltage for I/O pin		$V_{DD} - 0.45$	-	

1. CMOS outputs are compatible with JEDEC standards JESD36 and JESD52.

6.3.17 RSTN pin characteristics

The RSTN pin input driver uses CMOS technology. It is connected to a permanent pull-up resistor, RPU.

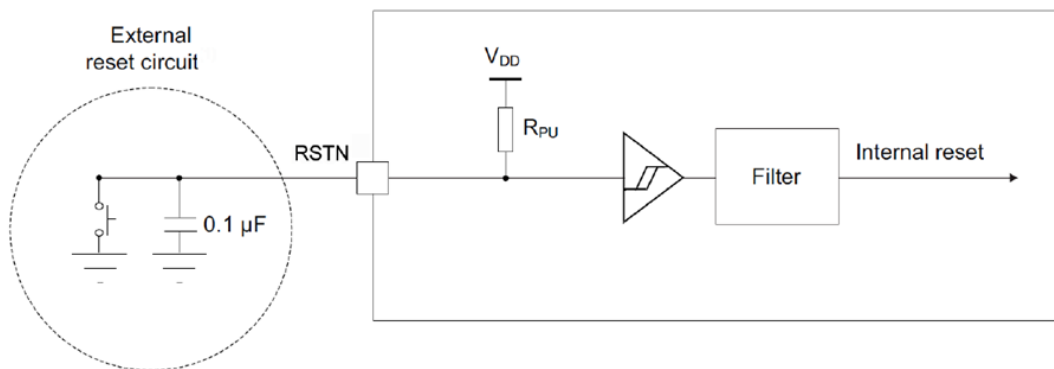
Unless otherwise specified, the parameters given in the table below are derived from tests performed under the ambient temperature and supply voltage conditions summarized in Section 6.3.2 General operating conditions.

The characteristics below are guaranteed by design.

Table 37. RSTN pin characteristics

Symbol	Parameter	Test conditions	Min.	Typ.	Max.	Unit.
$V_{IL(RSTN)}$	RSTN input low level voltage	-	-	-	$0.3 \times V_{DD}$	V
$V_{IH(RSTN)}$	RSTN input high level voltage	-	$0.7 \times V_{DD}$	-	-	
$V_{hys(RSTN)}$	RSTN Schmitt trigger voltage hysteresis	-	-	200	-	mV
RPU	Weak pull-up equivalent resistor	$V_{IN}=GND$	25	40	55	k Ω

Figure 16. Recommended RSTN pin protection



DT57475V1

Note:

The external reset circuit protects the device against parasitic resets.

The user must ensure that the level on the RSTN pin can go below the $V_{IL(RSTN)}$ max. level specified in the table, otherwise the reset is not taken into account by the device. The external capacitor on RSTN must be placed as close as possible to the device.

6.3.18 ADC characteristics
Table 38. ADC characteristics (HSI must be set to PLL mode)

Symbol	Parameter	Test conditions	Min.	Typ.	Max.	Units
Ch_diff_num	Number of channels for differential mode	QFN48, WLCSP49	-	-	4	-
Ch_se_num	Number of channels for single ended mode	QFN48, WLCSP49	-	-	8	-
IBAT _{ADCBIAS}	ADC biasing consumption at battery	Biasing blocks turned on	-	145	-	μA
IBAT _{ADCACTIVE}	ADC active consumption at battery	ADC activated in differential mode	-	185	-	μA
V _{DDA}	Analog supply voltage	-	1.2	-	1.32	V
R _{AIN}	Input impedance	In DC	-	250	-	kΩ
R _{in}	Internal access resistance	V _{BOOST} is enabled for V _{DD} < 2.7 V	-	-	550	Ω
C _{in}	Input sampling capacitor		-	4	-	pF
T _s	Sampling period	Default configuration	-	1	-	μs
T _{sw}	Sampling time	Default configuration	-	125	-	ns
DR	Output data rate	-	-	200	-	k samples/s
FRMT _{output}	Output data format	-	-	16	-	bits
TL	Latency time	200 kSps	-	5	-	μs
T _{STARTUP}	Start-up time	From ADC enable to conversion start	-	-	1	μs
DNL	Differential non-linearity	-	-	±0.7	-	LSB
INL	Integral non-linearity	-	-	±1	-	LSB
SNR Diff	Signal to noise ratio	Differential input @1 kHz, -1 dBFS, Fs = 1 MHz with DF	-	72	-	dB
STHD Diff	Signal to THD ratio (10 harmonics)	Differential input @1 kHz, -1 dBFS, Fs = 1 MHz with DF	-	75	-	dB
ENOB Diff	Effective number of bits	Differential input @1 kHz, -1 dBFS, Fs = 1 MHz with DF	-	11.5	-	bits
SNR SE	Signal-to-noise ratio	Single ended @1 kHz, -1 dBFS, Fs = 1 MHz with DF	-	70	-	dB
STHD SE	Signal-to THD ratio (10 harmonics)	Single ended @1 kHz, -1 dBFS, Fs = 1 MHz with DF	-	70	-	dB
ENOB SE	Effective number of bits	Single ended @1 kHz, -1 dBFS, Fs = 1 MHz with DF	-	11	-	bits
-	ADC_ERR_1V7	Absolute error when used for battery measurements at 1.7 V, 2.4 V, 3.0 V, 3.6 V	-	13	-	mV
-	ADC_ERR_2V4		-	0	-	
-	ADC_ERR_3V0		-	-9	-	
-	ADC_ERR_3V6		-	-22	-	

6.3.19 Temperature sensor characteristics

Table 39. Temperature sensor characteristics

Symbol	Parameter	Min.	Typ.	Max.	Unit
T _{FERR}	Error in temperature	-	±4	-	°C
T _{SLOPE}	Average temperature coefficient	-	8	-	LSB/°C
T _{ICC}	Current consumption	-	415	-	µA
T _{TS-OUT}	Output code at 30 °C (+/-5 °C)	-	2533	-	LSB

6.3.20 Timer characteristics

The characteristics below are guaranteed by design.

Table 40. TIM1 characteristics

Symbol	Parameter	Test conditions	Min.	Typ.	Max.	Unit
t _{res(TIM)}	Timer resolution time	f _{TIMxCLK} = 64 MHz	-	15.625	-	ns
R _{esTIM}	Timer resolution	-	-	16	-	bit
t _{COUNTER}	16-bit counter clock period	f _{TIMxCLK} = 64 MHz	0.015625	-	1024	µs
t _{MAX_COUNT}	Maximum possible count time	f _{TIMxCLK} = 64	-	-	67.10	s

Table 41. IWDG min./max. timeout period at 32 kHz (LSE)

Prescaler divider	PR[2:0] bits	Min. timeout RL[11:0] = 0x000	Max. timeout RL[11:0] = 0xFFFF	Unit
/4	0	0.125	512	ms
/8	1	0.250	1024	
/16	2	0.500	2048	
/32	3	1.0	4096	
/64	4	2.0	8192	
/128	5	4.0	16384	
/256	6 or 7	8.0	32768	

6.3.21 I²C interface characteristics

The I²C interface meets the timing requirements of the I²C-Bus specifications and user manual rev. 03 for:

- Standard-mode (Sm): bit rate up to 100 kbit/s
- Fast-mode (Fm): bit rate up to 400 kbit/s
- Fast-mode plus (Fm+): bit rate up to 1 Mbit/s

SDA and SCL I/O requirements are met with the following restrictions: SDA and SCL I/O pins are not “true” open-drain. When configured as open-drain, the PMOS connected between the I/O pin and V_{DD} is disabled, but is still present. The 20 mA output drive requirement in fast-mode plus is supported partially.

This limits the maximum load C_{load} supported in fast-mode plus, given by these formulas:

- $t_r(\text{SDA/SCL}) = 0.8473 \times R_p \times C_{\text{load}}$
- $R_p(\text{min.}) = [V_{\text{DD}} - V_{\text{OL}}(\text{max})] / I_{\text{OL}}(\text{max})$

where R_p is the I²C lines pull-up.

All I²C SDA and SCL I/Os embed an analog filter.

The characteristics below are guaranteed by design.

Table 42. I²C analog filter characteristics

Symbol	Parameter	Min.	Max.	Unit
t _{AF}	Maximum pulse width of spikes that are suppressed by the analog filter	50	110	ns

6.3.22 SPI characteristics

The parameters for SPI are derived from tests performed according to f_{PCLKx} frequency and supply voltage conditions.

- Output speed is set to OSPEEDRy[1:0] = 11
- Capacitive load C = 30 pF
- Measurement points are done at CMOS levels: 0.5 x V_{DD}

The characteristics below are guaranteed by design.

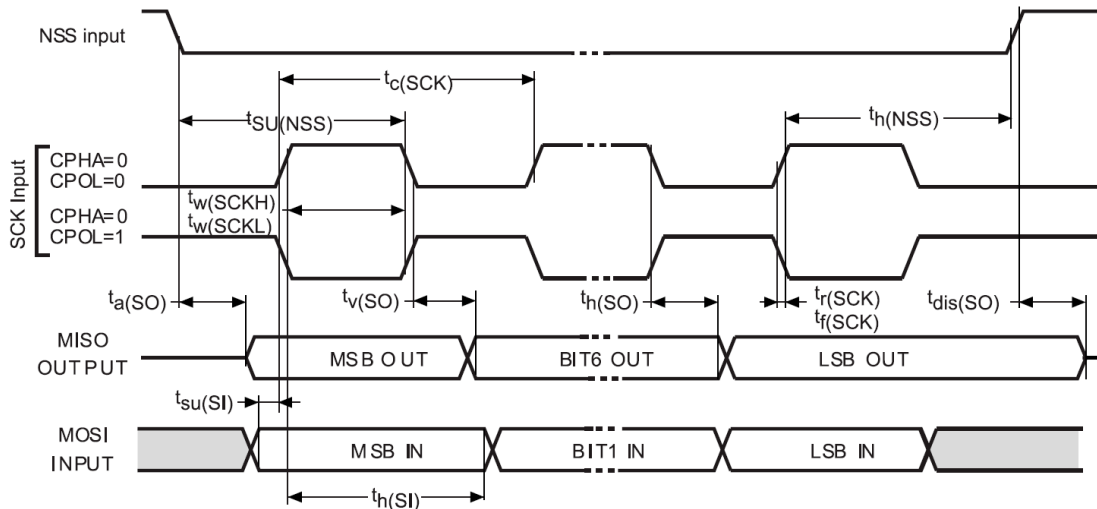
Table 43. SPI characteristics

Symbol	Parameter	Conditions	Min.	Typ.	Max.	Units
f _{SCK}	SPI clock frequency	Master mode	-	-	32	MHz
		Slave mode			32 ⁽¹⁾	
tsu(NSS)	NSS setup time	-	4 / f _{PCLK}	-	-	-
th(NSS)	NSS hold time	-	2 / f _{PCLK}	-	-	-
tw(SCKH)	SCK high and low time	Master mode	1 / f _{PCLK} - 1.5	1 / f _{PCLK}	1 / f _{PCLK} + 1	ns
tw(SCKL)			1 / f _{PCLK} - 1.5	1 / f _{PCLK}	1 / f _{PCLK} + 1	
tsu(MI)	Data input set-up time	Master mode	1	-	-	
tsu(SI)	Data input set-up time	Slave mode	1	-	-	
th(MI)	Data input hold time	Master mode	3	-	-	
th(SI)	Data input hold time	Slave mode	1	-	-	
t _a (SO)	Data output access time	Slave mode	5	-	40	
t _{dis} (SO)	Data output disable time	Slave mode	5	-	38	
t _v (MO)	Data output valid time	Master mode	-	2	8	
t _v (SO)		Slave mode	-	12	39	
t _h (MO)	Data output hold time	Master mode	2	-	-	

Symbol	Parameter	Conditions	Min.	Typ.	Max.	Units
$t_h(SO)$	Data output hold time	Slave mode	4	-	-	ns

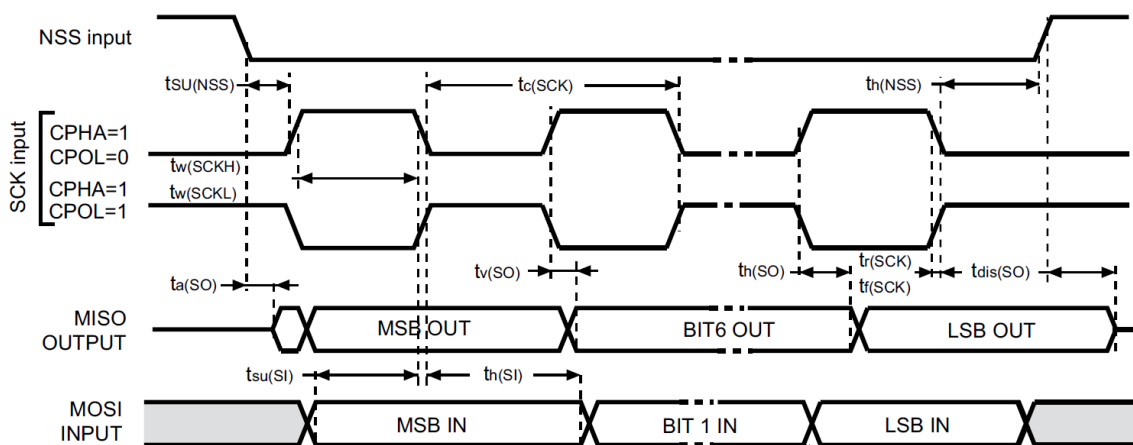
- The maximum frequency in slave transmitter mode is determined by the sum of $t_v(SO)$ and $t_{su}(MI)$, which has to fit SCK low or high phase preceding the SCK sampling edge. This value can be achieved when the SPI communicates with a master having $t_{su}(MI) = 0$ while $duty(SCK) = 50\%$.

Figure 17. SPI timing diagram - slave mode and CPHA = 0



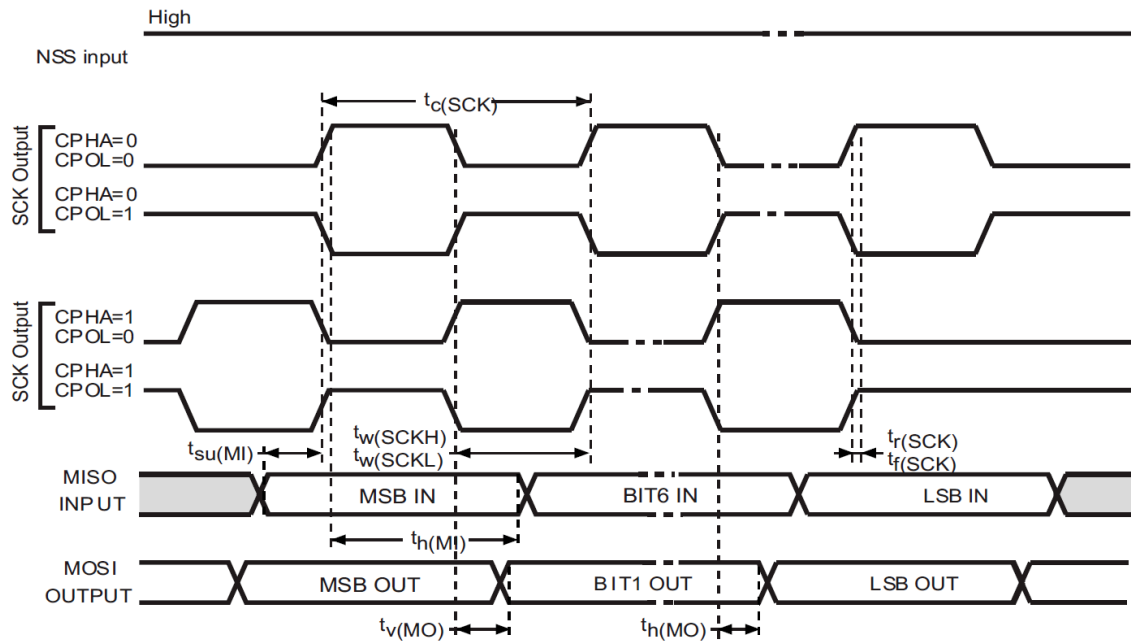
DT57476V1

Figure 18. SPI timing diagram - slave mode and CPHA = 1



DT57477V1

Figure 19. SPI timing diagram - master mode



DT57478V1

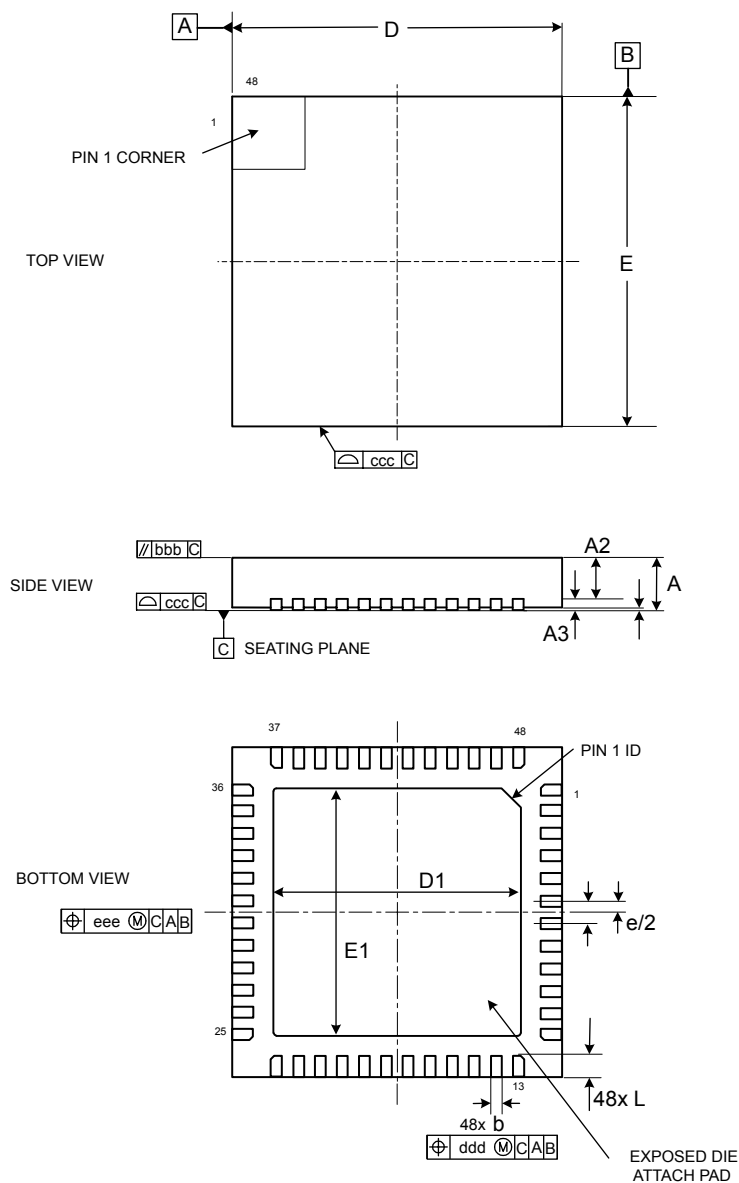
7 Package information

In order to meet environmental requirements, ST offers these devices in different grades of **ECOPACK** packages, depending on their level of environmental compliance. ECOPACK specifications, grade definitions and product status are available at: www.st.com. ECOPACK is an ST trademark.

7.1 VFQFPN48 package information

This VFQFPN is a 48 lead, 6 x 6 mm, 0.40 mm pitch, very fine pitch quad flat no lead package.

Figure 20. VFQFPN48 - Outline



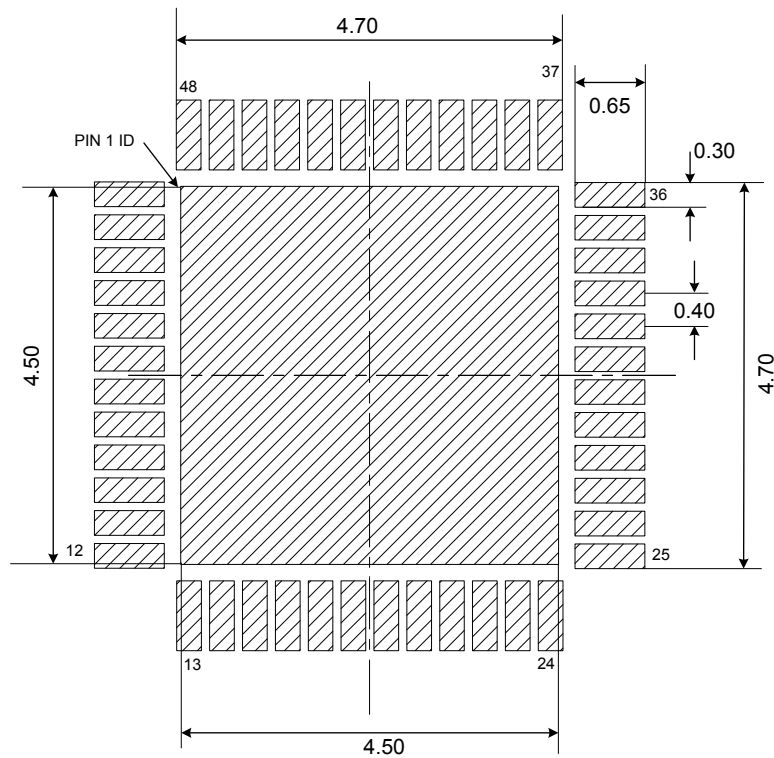
1. Drawing is not to scale.
2. Dimension and tolerances conform to ASME Y14.5M.
3. Coplanarity applies to leads , corner leads and die attach pad.

Table 44. VFQFPN48 - Mechanical data

Symbol	Millimetres			Inches ⁽¹⁾		
	Min	Typ	Max	Min	Typ	Max
A	0.80	0.85	0.90	0.0315	0.0335	0.0354
A1	0	0.035	0.05	0	0.0014	0.0020
A2	-	0.65	0.67	-	0.0256	0.0264
A3	0.203 Ref			0.0080 Ref		
b	0.15	0.20	0.25	0.006	0.0080	0.0098
D	6.00 BSC			0.2362 BSC		
D1	4.30	4.40	4.50	0.1693	0.1732	0.1772
E	6.00 BSC			0.2362 BSC		
E1	4.30	4.40	4.50	0.1693	0.1732	0.1772
e	-	0.40 BSC	-	-	0.0157 BSC	-
L	0.40	0.45	0.50	0.0157	0.0177	0.0197
aaa	0.10			0.0039		
bbb	0.10			0.0039		
ccc	0.08			0.0031		
ddd	0.10			0.0039		

1. Values in inches are converted from mm and rounded to 4 decimal digits.

Figure 21. VFQFPN48- Footprint example

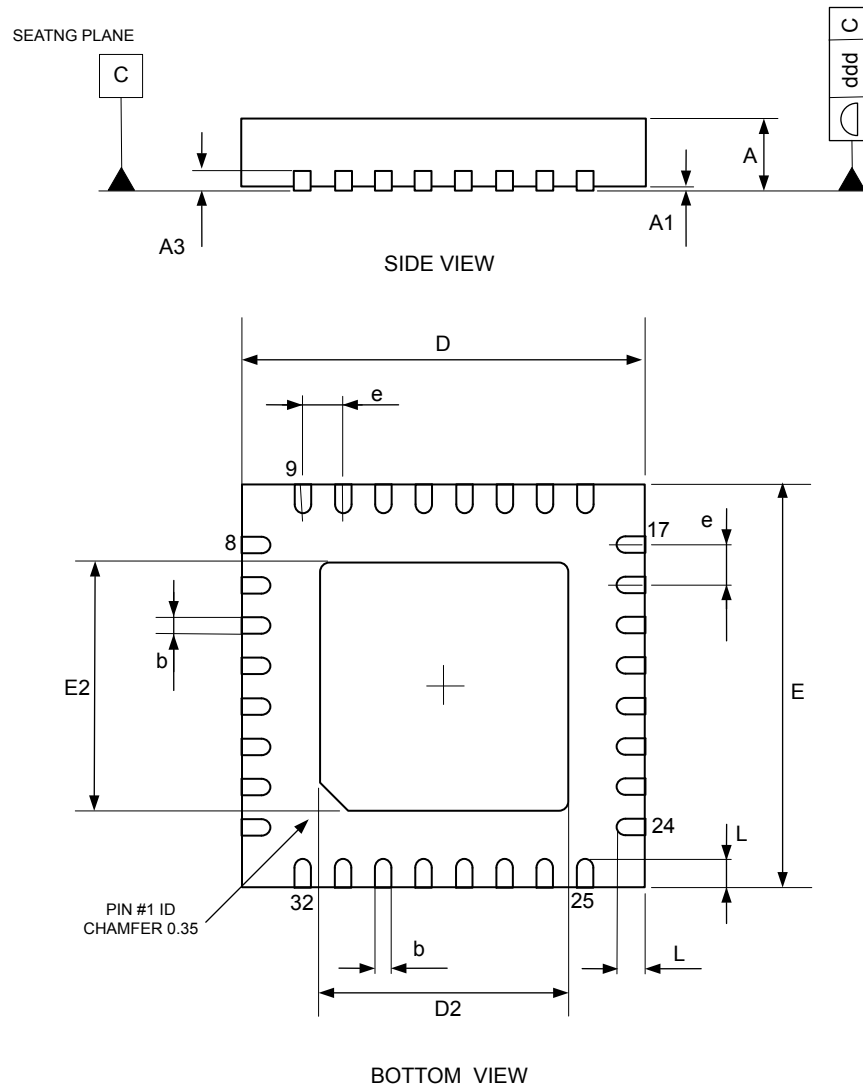


A0BE_D_VFQFPN48_FP_V1

7.2 VFQFPN32 package information

This VFQFPN is a 32 lead, 5 x 5 mm, 0.50 mm pitch, very fine pitch quad flat no lead package.

Figure 22. VFQFPN32 - Outline



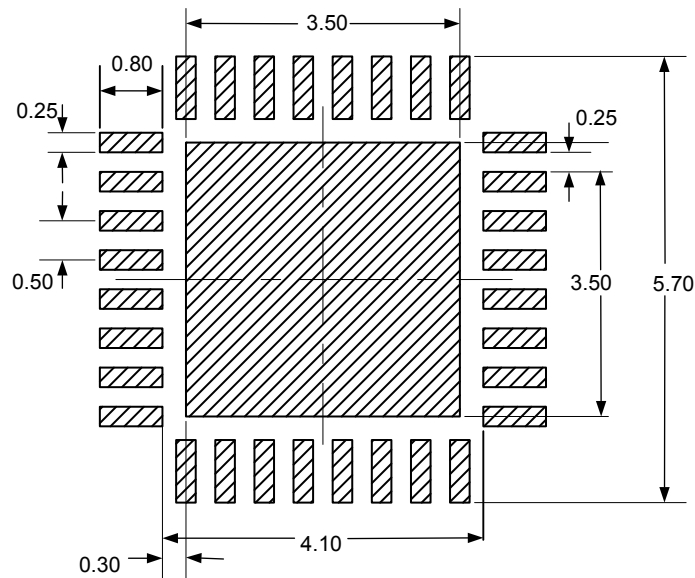
1. Drawing is not to scale.
2. Package outline exclusive of any mold flashes dimensions and metal burrs.
3. Details of terminal 1 are optional but must be located on the top surface of the package by using either a mold or marked features.

Table 45. VFQFPN32 - Mechanical data

Symbol	Millimetres			Inches ⁽¹⁾		
	Min	Typ	Max	Min	Typ	Max
A ⁽²⁾	0.80	0.90	1.00	0.0315	0.0354	0.0394
A1	0	-	0.05	0	-	0.0020
A3	-	0.20	-	-	0.008	-
b	0.18	0.25	0.30	0.0070	0.0098	0.0118
D	4.90	5.00	5.10	0.1929	0.19	0.2008
E	4.90	5.00	5.10	0.1929	0.19	0.2008
D2	3.60	3.70	3.80	0.1417	0.1457	0.1496
E2	3.60	3.70	3.80	0.1417	0.1457	0.1496
e	-	0.50	-	-	0.0197	-
L	0.30	0.40	0.50	0.0118	0.0157	0.0197
ddd	-	-	0.05	-	-	0.0020

1. Values in inches are converted from mm and rounded to 3 decimal digits.
2. VFQFPN stands for thermally Enhanced very thin fine pitch quad flat package No lead . Very thin profile $0.80 < A \leq 1.00$ mm.

Figure 23. VFQFPN32 - Footprint example

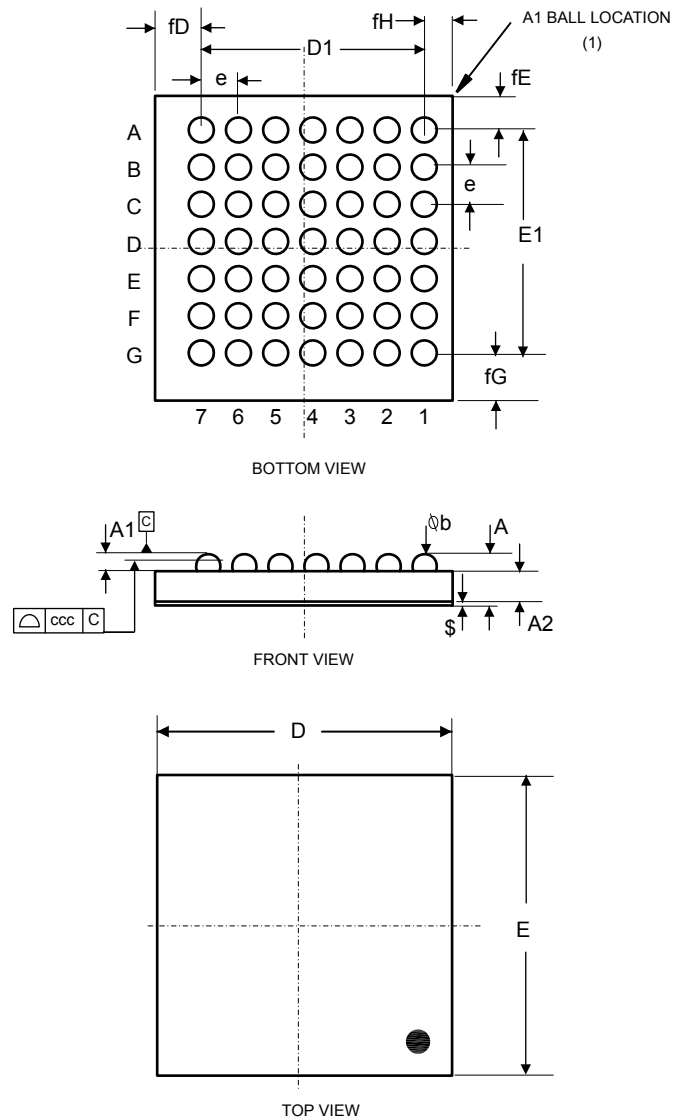


42_VFQFPN32_CALAMBA_FP_V1

7.3 WLCSP49 package information

This WLCSP is a 49-ball, 3.140 x 3.140 mm, 0.40 mm pitch, wafer level chip scale array package.

Figure 24. WLCSP49 - Outline



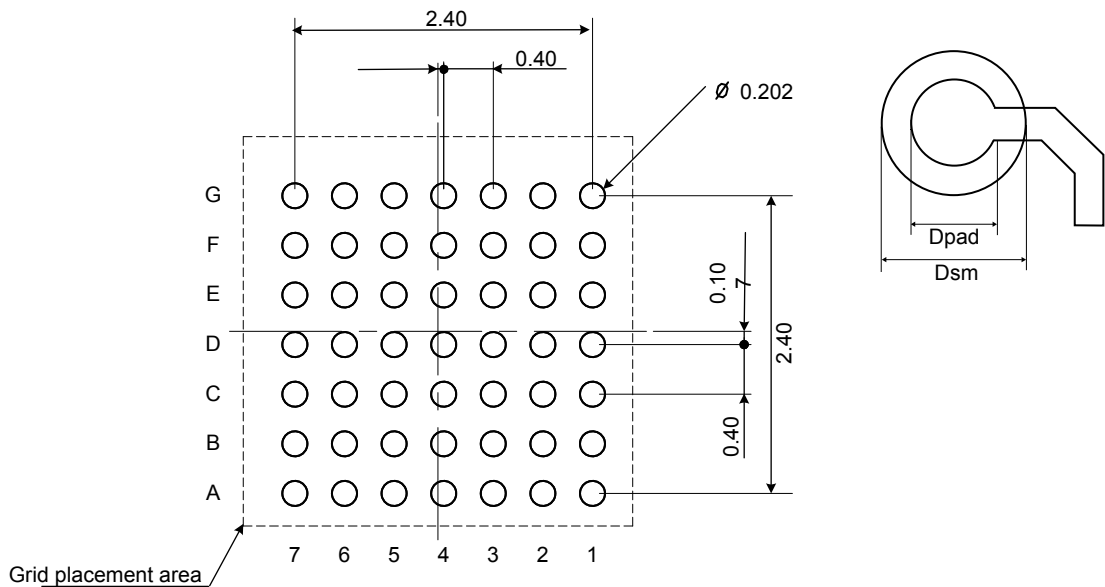
1. The terminal A1 on the bumps side is identified by a distinguishing feature (for instance by a circular "clear area" - typically 0.1 mm diameter) and/or a missing bump. The terminal A1 on the backside of the product is identified by a distinguishing feature (for instance by a circular "clear area" - typically 0.5 mm diameter).
2. Drawing is not to scale.

Table 46. WLCSP49 - Mechanical data

Symbol	millimeters			inches ⁽¹⁾		
	Min	Typ	Max	Min	Typ	Max
A	0.380	0.400	0.420	0.0149	0.0157	0.0165
A1	0.135	0.150	0.165	0.0053	0.0059	0.0065
A2	0.212	0.225	0.238	0.0083	0.0088	0.0094
b	0.214	0.218	0.222	0.0084	0.0085	0.0087
D	3.120	3.140	3.160	0.1228	0.1236	0.1244
D1	-	2.400	-	-	0.0945	-
E	3.120	3.140	3.160	0.1228	0.1236	0.1244
E1	-	2.400	-	-	0.0945	-
e	-	0.40	-	-	0.0157	-
fD	-	0.416	-	-	0.0164	-
fE	-	0.263	-	-	0.0103	-
fG	-	0.477	-	-	0.0188	-
fH	-	0.324	-	-	0.0127	-
\$	0.022	0.025	0.028	0.0009	0.0010	0.0011
aaa	-	0.060	-	-	0.0024	-

1. Values in inches are converted from mm and rounded to 4 decimal digits.

Figure 25. WLCSP49 - Footprint example



1. Dimensions are expressed in millimeters.

Table 47. WLCSP49 - Example of PCB design rules

Dimension	Values
Pitch	0.4 mm
Dpad	0,225 mm
Dsm	0.290 mm typ. (depends on soldermask registration tolerance)
Stencil opening	0.250 mm
Stencil thickness	0.100 mm

7.4 Thermal characteristics

The maximum chip junction temperature ($T_{Jmax.}$) must never exceed the values in general operating conditions. The maximum chip-junction temperature, T_J max., in degrees Celsius, can be calculated using the equation:

$$T_{Jmax.} = T_{Amax.} + (PD_{max} \times \theta_{JA}) \quad (1)$$

where:

- T_A max. is the maximum ambient temperature in °C
- θ_{JA} is the package junction-to-ambient thermal resistance, in °C/W
- PD max. is the sum of PINT max. and PI/O max. (PD max. = PINT max. + PI/O max.)
- PINT max. is the product of I_{DD} and V_{DD} , expressed in Watt. This is the maximum chip internal power

PI/O max represents the maximum power dissipation on output pins:

$$PI/O \text{ max.} = \Sigma (V_{OL} \times I_{OL}) + \Sigma ((V_{DD} - V_{OH}) \times I_{OH})$$

taking into account the actual V_{OL} / I_{OL} and V_{OH} / I_{OH} of the I/Os at low and high level in the applications.

Note: When the SMPS is used, a portion of the power consumption is dissipated into the external inductor, therefore reducing the chip power dissipation. This portion depends mainly on the inductor ESR characteristics.

Note: As the radiated RF power is quite low (< 4 mW), it is not necessary to remove it from the chip power consumption.

Note: RF characteristics (such as: sensitivity, Tx power, consumption) are provided up to 85 °C.

Table 48. Package thermal characteristics

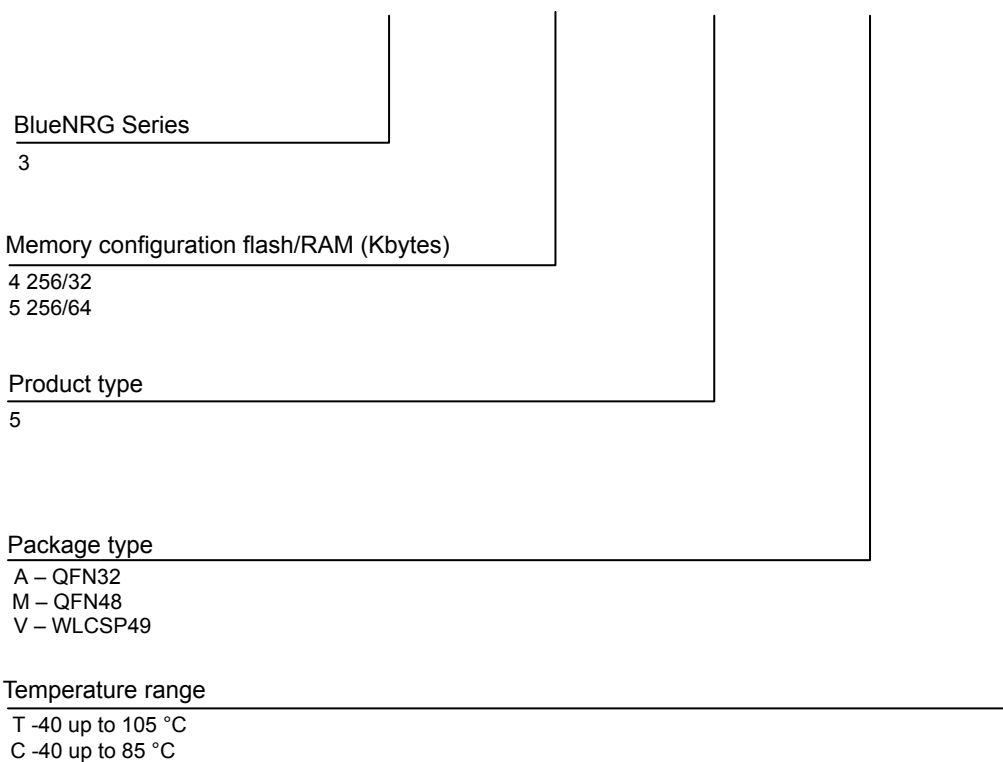
Symbol	Parameter	Value	Unit
θJA	Thermal resistance junction-ambient QFN48 - 6 mm x 6 mm	25.1	°C/W
	Thermal resistance junction-ambient QFN32 - 5 mm x 5 mm	26.9	
	Thermal resistance junction-ambient WCSP49 - 0.4 mm pitch	-	

8 Ordering information

Table 49. Ordering information

Order code	Package	Packing
BLUENRG-3x5yz	QFN32, QFN48, WLCSP49	Tape and reel

Figure 26. Ordering information



DT58115V1

Important security notice

The STMicroelectronics group of companies (ST) places a high value on product security, which is why the ST product(s) identified in this documentation may be certified by various security certification bodies and/or may implement our own security measures as set forth herein. However, no level of security certification and/or built-in security measures can guarantee that ST products are resistant to all forms of attacks. As such, it is the responsibility of each of ST's customers to determine if the level of security provided in an ST product meets the customer needs both in relation to the ST product alone, as well as when combined with other components and/or software for the customer end product or application. In particular, take note that:

- ST products may have been certified by one or more security certification bodies, such as Platform Security Architecture (www.psacertified.org) and/or Security Evaluation standard for IoT Platforms (www.trustcb.com). For details concerning whether the ST product(s) referenced herein have received security certification along with the level and current status of such certification, either visit the relevant certification standards website or go to the relevant product page on www.st.com for the most up to date information. As the status and/or level of security certification for an ST product can change from time to time, customers should re-check security certification status/level as needed. If an ST product is not shown to be certified under a particular security standard, customers should not assume it is certified.
- Certification bodies have the right to evaluate, grant and revoke security certification in relation to ST products. These certification bodies are therefore independently responsible for granting or revoking security certification for an ST product, and ST does not take any responsibility for mistakes, evaluations, assessments, testing, or other activity carried out by the certification body with respect to any ST product.
- Industry-based cryptographic algorithms (such as AES, DES, or MD5) and other open standard technologies which may be used in conjunction with an ST product are based on standards which were not developed by ST. ST does not take responsibility for any flaws in such cryptographic algorithms or open technologies or for any methods which have been or may be developed to bypass, decrypt or crack such algorithms or technologies.
- While robust security testing may be done, no level of certification can absolutely guarantee protections against all attacks, including, for example, against advanced attacks which have not been tested for, against new or unidentified forms of attack, or against any form of attack when using an ST product outside of its specification or intended use, or in conjunction with other components or software which are used by customer to create their end product or application. ST is not responsible for resistance against such attacks. As such, regardless of the incorporated security features and/or any information or support that may be provided by ST, each customer is solely responsible for determining if the level of attacks tested for meets their needs, both in relation to the ST product alone and when incorporated into a customer end product or application.
- All security features of ST products (inclusive of any hardware, software, documentation, and the like), including but not limited to any enhanced security features added by ST, are provided on an "AS IS" BASIS. AS SUCH, TO THE EXTENT PERMITTED BY APPLICABLE LAW, ST DISCLAIMS ALL WARRANTIES, EXPRESS OR IMPLIED, INCLUDING BUT NOT LIMITED TO THE IMPLIED WARRANTIES OF MERCHANTABILITY OR FITNESS FOR A PARTICULAR PURPOSE, unless the applicable written and signed contract terms specifically provide otherwise.

Revision history

Table 50. Document revision history

Date	Version	Changes
02-Jul-2020	1	Initial release.
24-Sep-2020	2	Updated cover page. Updated Table 4. Pin description, Table 11. Thermal characteristics, Table 15. General operating conditions and Table 49. Ordering information. Updated Figure 6. Clock tree. Added Table 5. Legend/abbreviations used in the pinout table.
01-Feb-2021	3	Updated Section Features, Section Description, Figure 4. Power supply configuration and Figure 16. Recommended RSTN pin protection.
17-May-2021	4	Updated cover image, Section 2.23 Inter-IC sound (I2S), Table 14. Peripheral current consumption at VDD = 3.3 V, sysclk at 32 MHz, SMPS on, Table 20. Bluetooth Low Energy RF receiver characteristics at 1 Msym/s uncoded, Table 21. Bluetooth Low Energy RF receiver characteristics at 2 Msym/s uncoded and Table 38. ADC characteristics (HSI must be set to PLL mode).
13-Apr-2022	5	Updated Table 9. Voltage characteristics, Table 12. Main performance SMPS ON, Table 38. ADC characteristics (HSI must be set to PLL mode) and Table 24. Embedded reset and power control block characteristics.
01-Mar-2023	6	Added reference to integrated passive device (IPD) in Features section. In description section, mentioned that the 7 Kbyte ROM is an ST reserved area. Added Section 2.5.2 IPDs for BlueNRG-LP. Updated Section 7.1 VFQFPN48 package information and Section 7.2 VFQFPN32 package information. Added "Important security notice" at end of document.

Contents

1	Introduction	5
2	Functional overview	6
2.1	System architecture	6
2.2	ARM Cortex-M0+ core with MPU	7
2.3	Memories	7
2.3.1	Embedded flash memory	7
2.3.2	Embedded SRAM	8
2.3.3	Embedded ROM	8
2.3.4	Embedded OTP	8
2.3.5	Memory protection unit (MPU)	8
2.4	Security and safety	8
2.5	RF subsystem	9
2.5.1	RF front-end block diagram	9
2.5.2	IPDs for BlueNRG-LP	10
2.6	Power supply management	11
2.6.1	SMPS step-down regulator	11
2.6.2	Power supply schemes	12
2.6.3	Linear voltage regulators	12
2.6.4	Power supply supervisor	13
2.7	Operating modes	13
2.7.1	RUN mode	13
2.7.2	DEEPSTOP mode	13
2.7.3	SHUTDOWN mode	14
2.8	Reset management	15
2.9	Clock management	15
2.10	Boot mode	17
2.11	Embedded UART bootloader	17
2.12	General purpose inputs/outputs (GPIO)	17
2.13	Direct memory access (DMA)	17
2.14	Nested vectored interrupt controller (NVIC)	18
2.15	Analog digital converter (ADC)	18
2.15.1	Digital microphone MEMS interface	18
2.15.2	Analog microphone interface	19
2.15.3	Temperature sensor	19
2.16	True random number generator (RNG)	19

2.17	Timers and watchdog	19
2.17.1	Advanced control timer (TIM1)	19
2.17.2	Independent watchdog (IWDG).....	19
2.17.3	SysTick timer	19
2.18	Real-time clock (RTC)	19
2.19	Inter-integrated circuit interface (I ² C)	20
2.20	Universal synchronous/asynchronous receiver transmitter (USART).....	20
2.21	LPUART	21
2.22	Serial peripheral interface (SPI)	21
2.23	Inter-IC sound (I2S)	22
2.24	Serial wire debug port.....	22
2.25	TX and RX event alert	22
3	Pinouts and pin description.....	23
4	Memory mapping	30
5	Application circuits	31
6	Electrical characteristics.....	35
6.1	Parameter conditions	35
6.1.1	Minimum and maximum values.....	35
6.1.2	Typical values	35
6.1.3	Typical curves	35
6.1.4	Loading capacitor	35
6.1.5	Pin input voltage	36
6.2	Absolute maximum ratings.....	37
6.3	Operating conditions	38
6.3.1	Summary of main performance	38
6.3.2	General operating conditions	41
6.3.3	RF general characteristics.....	42
6.3.4	RF transmitter characteristics	43
6.3.5	RF receiver characteristics	45
6.3.6	Embedded reset and power control block characteristics	48
6.3.7	Supply current characteristics	48
6.3.8	Wake-up time from low power modes	49
6.3.9	High speed crystal requirements.....	49
6.3.10	Low speed crystal requirements	50
6.3.11	High speed ring oscillator characteristics	50
6.3.12	Low speed ring oscillator characteristics	50
6.3.13	PLL characteristics	50

6.3.14	Flash memory characteristics	51
6.3.15	Electrostatic discharge (ESD)	51
6.3.16	I/O port characteristics	52
6.3.17	RSTN pin characteristics	53
6.3.18	ADC characteristics	54
6.3.19	Temperature sensor characteristics	55
6.3.20	Timer characteristics	55
6.3.21	I ² C interface characteristics	56
6.3.22	SPI characteristics	56
7	Package information	59
7.1	VFQFPN48 package information	59
7.2	VFQFPN32 package information	61
7.3	WLCSP49 package information	62
7.4	Thermal characteristics	66
8	Ordering information	67
	Important security notice	68
	Revision history	69

List of tables

Table 1.	SRAM overview	8
Table 2.	IPDs for BlueNRG-LP	10
Table 3.	Relationship between the low power modes and functional blocks	13
Table 4.	Pin description	25
Table 5.	Legend/abbreviations used in the pinout table	27
Table 6.	Alternate function port A	28
Table 7.	Alternate function port B	29
Table 8.	Application circuit external components	34
Table 9.	Voltage characteristics	37
Table 10.	Current characteristics	37
Table 11.	Thermal characteristics	37
Table 12.	Main performance SMPS ON	38
Table 13.	Main performance SMPS bypassed	39
Table 14.	Peripheral current consumption at VDD = 3.3 V, sysclk at 32 MHz, SMPS on	40
Table 15.	General operating conditions	41
Table 16.	Bluetooth Low Energy RF general characteristics	42
Table 17.	Bluetooth Low Energy RF transmitter characteristics at 1 Mbps not coded	43
Table 18.	Bluetooth Low Energy RF transmitter characteristics at 2 Mbps not coded	43
Table 19.	Bluetooth Low Energy RF transmitter characteristics at 1 Mbps LE coded (S=8)	44
Table 20.	Bluetooth Low Energy RF receiver characteristics at 1 Msym/s uncoded	45
Table 21.	Bluetooth Low Energy RF receiver characteristics at 2 Msym/s uncoded	45
Table 22.	Bluetooth Low Energy RF receiver characteristics at 1 Msym/s LE coded (S=2)	47
Table 23.	Bluetooth Low Energy RF receiver characteristics at 1 Msym/s LE coded (S=8)	47
Table 24.	Embedded reset and power control block characteristics	48
Table 25.	Current consumption	48
Table 26.	Low power mode wake-up timing	49
Table 27.	HSE crystal requirements	49
Table 28.	LSE crystal requirements	50
Table 29.	HSI oscillator characteristics	50
Table 30.	LSI oscillator characteristics	50
Table 31.	PLL characteristics	50
Table 32.	Flash memory characteristics	51
Table 33.	Flash memory endurance and data retention	51
Table 34.	ESD absolute maximum ratings	51
Table 35.	I/O static characteristics	52
Table 36.	Output voltage characteristics	52
Table 37.	RSTN pin characteristics	53
Table 38.	ADC characteristics (HSI must be set to PLL mode)	54
Table 39.	Temperature sensor characteristics	55
Table 40.	TIM1 characteristics	55
Table 41.	IWDG min./max. timeout period at 32 kHz (LSE)	55
Table 42.	I ² C analog filter characteristics	56
Table 43.	SPI characteristics	56
Table 44.	VFQFPN48 - Mechanical data	60
Table 45.	VFQFPN32 - Mechanical data	62
Table 46.	WLCSP49 - Mechanical data	64
Table 47.	WLCSP49 - Example of PCB design rules	65
Table 48.	Package thermal characteristics	66
Table 49.	Ordering information	67
Table 50.	Document revision history	69

List of figures

Figure 1.	The BlueNRG-LP block diagram	4
Figure 2.	Bus matrix	7
Figure 3.	BlueNRG-LP RF block diagram	10
Figure 4.	Power supply configuration	11
Figure 5.	Power supply domain overview	12
Figure 6.	Clock tree	16
Figure 7.	Pinout top view (QFN48 package)	23
Figure 8.	Pinout top view (QFN32 package)	24
Figure 9.	Pinout top view (WLCSP49 package)	24
Figure 10.	Memory map	30
Figure 11.	Application circuit: DC-DC converter, QFN48 package	31
Figure 12.	Application circuit: DC-DC converter, WLCSP49 package	32
Figure 13.	Application circuit: DC-DC converter, QFN32 package	33
Figure 14.	Pin loading conditions	35
Figure 15.	Pin input voltage	36
Figure 16.	Recommended RSTN pin protection	53
Figure 17.	SPI timing diagram - slave mode and CPHA = 0	57
Figure 18.	SPI timing diagram - slave mode and CPHA = 1	57
Figure 19.	SPI timing diagram - master mode	58
Figure 20.	VFQFPN48 - Outline	59
Figure 21.	VFQFPN48- Footprint example	60
Figure 22.	VFQFPN32 - Outline	61
Figure 23.	VFQFPN32 - Footprint example	62
Figure 24.	WLCSP49 - Outline	63
Figure 25.	WLCSP49 - Footprint example	64
Figure 26.	Ordering information	67

IMPORTANT NOTICE – READ CAREFULLY

STMicroelectronics NV and its subsidiaries (“ST”) reserve the right to make changes, corrections, enhancements, modifications, and improvements to ST products and/or to this document at any time without notice. Purchasers should obtain the latest relevant information on ST products before placing orders. ST products are sold pursuant to ST’s terms and conditions of sale in place at the time of order acknowledgment.

Purchasers are solely responsible for the choice, selection, and use of ST products and ST assumes no liability for application assistance or the design of purchasers’ products.

No license, express or implied, to any intellectual property right is granted by ST herein.

Resale of ST products with provisions different from the information set forth herein shall void any warranty granted by ST for such product.

ST and the ST logo are trademarks of ST. For additional information about ST trademarks, refer to www.st.com/trademarks. All other product or service names are the property of their respective owners.

Information in this document supersedes and replaces information previously supplied in any prior versions of this document.

© 2023 STMicroelectronics – All rights reserved