

# SMBus Fan Driver with Temperature Monitoring

## PRODUCT FEATURES

Data Sheet

### Description

The EMC4002 is a combination fan controller device, temperature sensor, and thermal monitor. It contains two RPM based Fan Control Algorithms that monitor the fan's speed and automatically adjust the drive to maintain the desired fan speed. These RPM based Fan Control Algorithms act independently and can be coupled to either a Dual Voltage High Side Fan driver or a PWM output. The Dual Voltage High Side fan drivers offer power savings by only drawing current from the necessary supply line based on the output voltage settings.

In addition, the EMC4002 monitors up to nine (9) external diode or thermistor channels and up to seven (7) voltage channels.

The EMC4002 also acts as an always on thermal monitor to signal a system wide interrupt should the CPU well temperature exceed a hardware set limit that cannot be altered via software. This ThermTrip logic uses signals from other external devices to determine overall system operation.

Finally, the EMC4002 contains a programmable Low Dropout Voltage Regulator to supply 3.3V, 2.5V, or a user selected voltage. This LDO is muxed with one of the two Dual Voltage High Side Fan Drivers for flexibility. Each can source up to 600mA of current from the VDD\_5V supply.

### Features

- RPM Closed-loop Control
  - "Set and Forget control"
  - 1% control accuracy with external clock
  - Two 10 Bit PWMs
  - Two 10 bit TACHs
- BC-Link™ Communications Interface
  - Up to 24Mbps data rate
  - Multiplexed with SMBus

- Flexible Thermal Monitors
  - Anti-Parallel Diodes allow 2 thermal diodes on one DP/DN pair
  - Two DP and DN pins may also be used as voltage inputs to monitor thermistors or voltages
- Voltage Regulator Multiplexed with Dual Voltage Fan Driver
  - LDO: 3.3V in, 600mA @ 2.5V out, or 5V in, 400mA @ 3.3V out
  - Dual Voltage Fan Driver rated 600mA @ 5V
- Vset uses a single 1% resistor
- Voltage Programmable Fail-Safe Monitor
  - External voltage programmed thermal sensor
  - Can use either a remote diode or thermistor
- ThermTrip Logic Integration
- Dual Voltage Fan Driver
  - Uses 5V or 3.3V supply for power efficiency
  - 600mA maximum output current drive
  - 10 bit resolution
- Up to Nine External Temperature Monitors
  - ±1°C Accuracy 60°C to 100°C
  - Resistance Error Correction
  - Automatically detects and supports CPU diodes requiring the BJT or Transistor models
- Up to Seven Voltage Monitors
  - Monitors VDD
  - Programming Voltage (VSET)
  - Vcp1, Vcp2, and a low (0.8V max) voltage input
  - Two voltage inputs mux'd on diode lines
- 5 (mux'd) General Purpose Digital I/O's
- SMBus 2.0 Compliant interface
  - Two selectable addresses
  - SMBus Alert
- 48 pin QFN, RoHS Compliant package, 7x7mm with exposed pad

**Order Number:****EMC4002-HZH for 48-pin, RoHS Compliant package****This product meets the halogen maximum concentration values per IEC61249-2-21****TO OUR VALUED CUSTOMERS**

It is our intention to provide our valued customers with the best documentation possible to ensure successful use of your Microchip products. To this end, we will continue to improve our publications to better suit your needs. Our publications will be refined and enhanced as new volumes and updates are introduced.

If you have any questions or comments regarding this publication, please contact the Marketing Communications Department via E-mail at [docerrors@microchip.com](mailto:docerrors@microchip.com). We welcome your feedback.

**Most Current Data Sheet**

To obtain the most up-to-date version of this data sheet, please register at our Worldwide Web site at:

<http://www.microchip.com>

You can determine the version of a data sheet by examining its literature number found on the bottom outside corner of any page. The last character of the literature number is the version number, (e.g., DS30000000A is version A of document DS30000000).

**Errata**

An errata sheet, describing minor operational differences from the data sheet and recommended workarounds, may exist for current devices. As device/documentation issues become known to us, we will publish an errata sheet. The errata will specify the revision of silicon and revision of document to which it applies.

To determine if an errata sheet exists for a particular device, please check with one of the following:

- Microchip's Worldwide Web site; <http://www.microchip.com>
- Your local Microchip sales office (see last page)

When contacting a sales office, please specify which device, revision of silicon and data sheet (include -literature number) you are using.

**Customer Notification System**

Register on our web site at [www.microchip.com](http://www.microchip.com) to receive the most current information on all of our products.

## Table of Contents

<b>Chapter 1</b>	<b>Block Diagram</b>	<b>9</b>
<b>Chapter 2</b>	<b>Pin Configuration</b>	<b>10</b>
<b>Chapter 3</b>	<b>Electrical Specifications</b>	<b>16</b>
3.1	Absolute Maximum Ratings	16
3.2	Electrical Specifications	17
3.3	SMBus Electrical Characteristics	20
3.4	BC-Link Electrical Characteristics	21
<b>Chapter 4</b>	<b>Communications Protocols</b>	<b>22</b>
4.1	Selecting Communications Bus	22
4.2	SMBus Communications	22
4.2.1	SMBus Start Bit	23
4.2.2	SMBus Address and RD / $\overline{WR}$ Bit	23
4.2.3	SMBus Data Bytes	23
4.2.4	SMBus ACK and NACK Bits	24
4.2.5	SMBus Stop Bit	24
4.2.6	SMBus Time-out	24
4.2.7	SMBus and I2C Compliance	24
4.3	SMBus Protocols	24
4.3.1	SMBus Write Byte	24
4.3.2	SMBus Read Byte	25
4.3.3	SMBus Send Byte	25
4.3.4	SMBus Receive Byte	25
4.3.5	SMBus Alert Response Address	25
4.4	BC-Link Interface	26
<b>Chapter 5</b>	<b>Functional Description</b>	<b>27</b>
5.1	General Operation	27
5.2	Conversion Cycle	29
5.3	Power Modes	29
5.4	Fan Control Modes of Operation	30
5.5	RPM Based Fan Control Algorithms	31
5.5.1	Programming the RPM based Fan Control Algorithm	32
5.5.2	Tachometer Measurement	33
5.5.3	Spin Up Routine	33
5.5.4	32KHz Clock Source	34
5.6	Watchdog Timer	34
5.7	Dual Voltage Fan Drivers	35
5.7.1	Short Circuit Current Limit	35
5.8	PWM Drivers	35
5.9	Low Dropout Voltage Regulator	35
5.9.1	Power Control	36
5.9.2	Output Selection	36
5.9.3	Power OK	37
5.9.4	Short Circuit Condition	37
5.10	Thermal Shutdown	37
5.11	Voltage Monitors	38
5.11.1	Input Attenuators	38
5.11.2	VCPx as Thermistor Input	38

5.12	Temperature Monitors	39
5.12.1	Resistance Error Correction	39
5.12.2	Beta Compensation	39
5.13	Anti-Parallel Diode Support	39
5.14	ADC/Thermistor Support on External Diode Lines	39
5.15	Diode Connections	40
5.15.1	Anti-Parallel Diode Capability	41
5.15.2	Diode Faults	42
5.16	Voltage Programmable Fail-Safe Temperature Monitor	42
5.16.1	VSET Pin	42
5.16.2	Internal POWER_OK Signal	44
5.16.3	Internal HW_FAILSAFE# Signal	44
5.17	ThermTrip Logic Integration	46
5.17.1	POWER_SW# Pin	47
5.17.2	ACAVAIL_CLR Pin	47
5.18	General Purpose I/Os	47
5.19	Alerts and Limits	47
5.20	Multiple Supply Considerations	50

<b>Chapter 6</b>	<b>Register Set</b>	<b>52</b>
6.1	Register Map	52
6.1.1	Lock Entries	58
6.2	Data Read Interlock	58
6.2.1	Programming the Limit Registers	59
6.3	Temperature Data Registers	59
6.4	Voltage Data Registers	61
6.5	GPIO Status Register	62
6.6	Configuration Register	63
6.7	GPIO Configuration Register	64
6.8	GPIO Direction Register	65
6.9	GPIO Output Config Register	65
6.10	GPIO Data Registers	66
6.11	GPIO Interrupt Enable Register	66
6.12	Dual Voltage Fan Configuration Register	67
6.13	Dual Voltage Fan Status Register	68
6.14	Beta Configuration Registers	69
6.15	Ideality Configuration Registers	70
6.16	PWM Configuration Register	71
6.17	Company ID Register	72
6.18	Revision Register (3Fh)	72
6.19	Lock Start Register	73
6.20	Interrupt Status Registers	73
6.20.1	Interrupt Status Register 1 (41h)	73
6.20.2	Interrupt Status Register 2 (42h)	74
6.20.3	Interrupt Status Register 3 (44h)	74
6.20.4	Interrupt Status Register 4 (45h)	75
6.21	ThermTrip Pin State Register	75
6.22	Voltage Limit Registers	76
6.23	Temperature Limit Registers	76
6.24	REC Enable Register	78
6.25	PWM Divide Registers	78
6.26	ThermTrip Temperature Register	79
6.27	Failsafe Status Register	79
6.28	FailSafe Configuration Register	80
6.29	Error Debug Register	80

**Data Sheet**

6.30	Special Function Register . . . . .	81
6.31	Interrupt Status Enable Registers . . . . .	81
6.31.1	Interrupt Status Enable Register 2 (7Dh) . . . . .	82
6.31.2	Interrupt Status Enable Register 1 (7Eh) . . . . .	82
6.31.3	Interrupt Status Enable Register 3 (7Fh) . . . . .	82
6.32	Fan Driver Setting Registers . . . . .	83
6.33	Fan Configuration 1 Registers . . . . .	84
6.34	Fan Configuration 2 Registers . . . . .	85
6.35	Gain Registers . . . . .	88
6.36	Fan Spin Up Configuration Registers . . . . .	88
6.37	Fan Step Registers . . . . .	90
6.38	Fan Minimum Drive Registers . . . . .	91
6.39	Valid TACH Count Registers . . . . .	91
6.40	Fan Drive Fail Band Registers . . . . .	92
6.41	TACH Target Registers . . . . .	92
6.42	TACH Reading Registers . . . . .	93
6.43	Product ID Register (FDh) . . . . .	94

---

**Chapter 7 Package Diagram . . . . . 95**

---

**Chapter 8 XOR Test Tree . . . . . 97**

8.1	Inputs . . . . .	97
8.2	Output . . . . .	97
8.3	Enabling/Disabling . . . . .	97

---

**Appendix A Thermistors . . . . . 98**

A.1	Thermistor Look Up Tables . . . . .	98
-----	-------------------------------------	----

---

**Appendix B RPM to Tachometer Count Look Up Tables . . . . . 103**

B.1	1k RPM Range . . . . .	103
-----	------------------------	-----

---

**Chapter 9 EMC4002 Data Sheet Revision History . . . . . 108**

## List of Figures

Figure 1.1	EMC4002 Functional Block Diagram . . . . .	9
Figure 2.1	Pin Diagram for EMC4002 . . . . .	10
Figure 4.1	BC-Link Multiplexed with SMBus . . . . .	22
Figure 4.2	SMBus Timing Diagram . . . . .	23
Figure 4.3	LSBC Bus Interface Signal Connections . . . . .	26
Figure 5.1	System Diagram for EMC4002 . . . . .	28
Figure 5.2	RPM based Fan Control Algorithm . . . . .	32
Figure 5.3	Spin Up Routine . . . . .	34
Figure 5.4	Block Diagram of Low Dropout Voltage Regulator . . . . .	36
Figure 5.5	Adjustable LDO Output Configuration . . . . .	37
Figure 5.6	Configurable Thermal Diode Channels . . . . .	40
Figure 5.7	Diode Connections . . . . .	41
Figure 5.8	Anti-Parallel Diode Configuration . . . . .	41
Figure 5.9	Vset Circuit . . . . .	42
Figure 5.10	Example #1 of HW_FAILSAFE# Operation . . . . .	45
Figure 5.11	Example #2 of HW_FAILSAFE# Operation . . . . .	45
Figure 5.12	Temperature Channel Interrupt Flow . . . . .	48
Figure 5.13	Other Channel Interrupt Flow . . . . .	49
Figure 5.14	Power Supply Domains for EMC4002 . . . . .	50
Figure 6.1	Ramp Rate Control . . . . .	86
Figure 7.1	48-Pin QFN 7mm x 7mm Package Drawing . . . . .	95
Figure A.1	“Low Side” Thermistor Connection . . . . .	98

Data Sheet

## List of Tables

Table 2.1	Pin Functions for EMC4002	11
Table 2.2	Pin Types	15
Table 3.1	Absolute Maximum Ratings	16
Table 3.2	Electrical Specifications	17
Table 4.1	SMBus Address and Mode Selection	23
Table 4.2	Protocol Format	24
Table 4.3	Write Byte Protocol	24
Table 4.4	Read Byte Protocol	25
Table 4.5	Send Byte Protocol	25
Table 4.6	Receive Byte Protocol	25
Table 4.7	Alert Response Address Protocol	25
Table 5.1	Conversion Channel Order	29
Table 5.2	Power States	30
Table 5.3	Fan Controls Active for Operating Mode	31
Table 5.4	LDO / Fan Driver Configuration Options	36
Table 5.5	Voltage Input Characteristics	38
Table 5.6	VSET Resistor Setting	43
Table 5.7	ThermTrip Logic Functionality	46
Table 6.1	EMC4002 Register Set	52
Table 6.2	Temperature Data Registers	59
Table 6.3	Temperature Data Format	61
Table 6.4	Voltage Data Registers	61
Table 6.5	Voltage Data Format Example	62
Table 6.6	GPIO Status Register	62
Table 6.7	Configuration Register	63
Table 6.8	Temp Conversion Rate	64
Table 6.9	GPIO Config Register	64
Table 6.10	GPIO Config Register 2	65
Table 6.11	GPIO Config Register 2	65
Table 6.12	GPIO Data Registers	66
Table 6.13	GPIO Mask Register	66
Table 6.14	Dual Voltage Fan Configuration Register	67
Table 6.15	5V_EN and 3V_EN Decode	67
Table 6.16	Dual Voltage Fan Status Register	68
Table 6.17	Beta Configuration Registers	69
Table 6.18	Beta Compensation Look Up Table	70
Table 6.19	Ideality Configuration Registers	70
Table 6.20	Ideality Factor Look Up Table	71
Table 6.21	PWM Configuration Register	71
Table 6.22	PWMx_BASE[1:0] Decode	72
Table 6.23	Company ID Register	72
Table 6.24	Revision Register	72
Table 6.25	Lock Start Register	73
Table 6.26	Interrupt Status Registers	73
Table 6.27	ThermTrip Pin State Register	75
Table 6.28	Voltage Limit Registers	76
Table 6.29	Temperature Limit Registers	76
Table 6.30	REC Enable Register	78
Table 6.31	PWM Divide Registers	78
Table 6.32	ThermTrip Temperature Register	79
Table 6.33	FailSafe Status Register	79
Table 6.34	FailSafe Config Register	80
Table 6.35	Error Debug Register	80

Table 6.36 Special Function Register . . . . .	81
Table 6.37 Interrupt Enable Registers . . . . .	81
Table 6.38 Fan Driver Setting Registers . . . . .	83
Table 6.39 Fan Configuration 1 Register . . . . .	84
Table 6.40 Range Decode . . . . .	84
Table 6.41 Minimum Edges for Fan Rotation . . . . .	85
Table 6.42 Update Time . . . . .	85
Table 6.43 Fan Configuration 2 Registers . . . . .	85
Table 6.44 Derivative Options . . . . .	87
Table 6.45 Error Range Options . . . . .	87
Table 6.46 Gain Registers . . . . .	88
Table 6.47 Gain Decode . . . . .	88
Table 6.48 Fan TACH Configuration Registers . . . . .	88
Table 6.49 DRIVE_FAIL_CNT[1:0] Bit Decode . . . . .	89
Table 6.50 Spin Level . . . . .	89
Table 6.51 Spin Time . . . . .	90
Table 6.52 Fan Step Registers . . . . .	90
Table 6.53 Minimum Fan Drive Registers . . . . .	91
Table 6.54 Valid TACH Count Registers . . . . .	91
Table 6.55 Fan Drive Fail Band Registers . . . . .	92
Table 6.56 TACH Target Registers . . . . .	92
Table 6.57 TACH Reading Registers . . . . .	93
Table 6.58 Product ID Register . . . . .	94
Table 7.1 48-Pin QFN 7mm x 7mm Package Dimensions . . . . .	96
Table A.1 “Low Side” Thermistor Look Up Table . . . . .	98
Table A.2 Inverted Thermistor Look Up Table . . . . .	100
Table B.1 Tachometer Count to RPM Look Up Table (Range = 1000 RPM) . . . . .	103
Table 9.1 Revision History . . . . .	108



# Chapter 1 Block Diagram

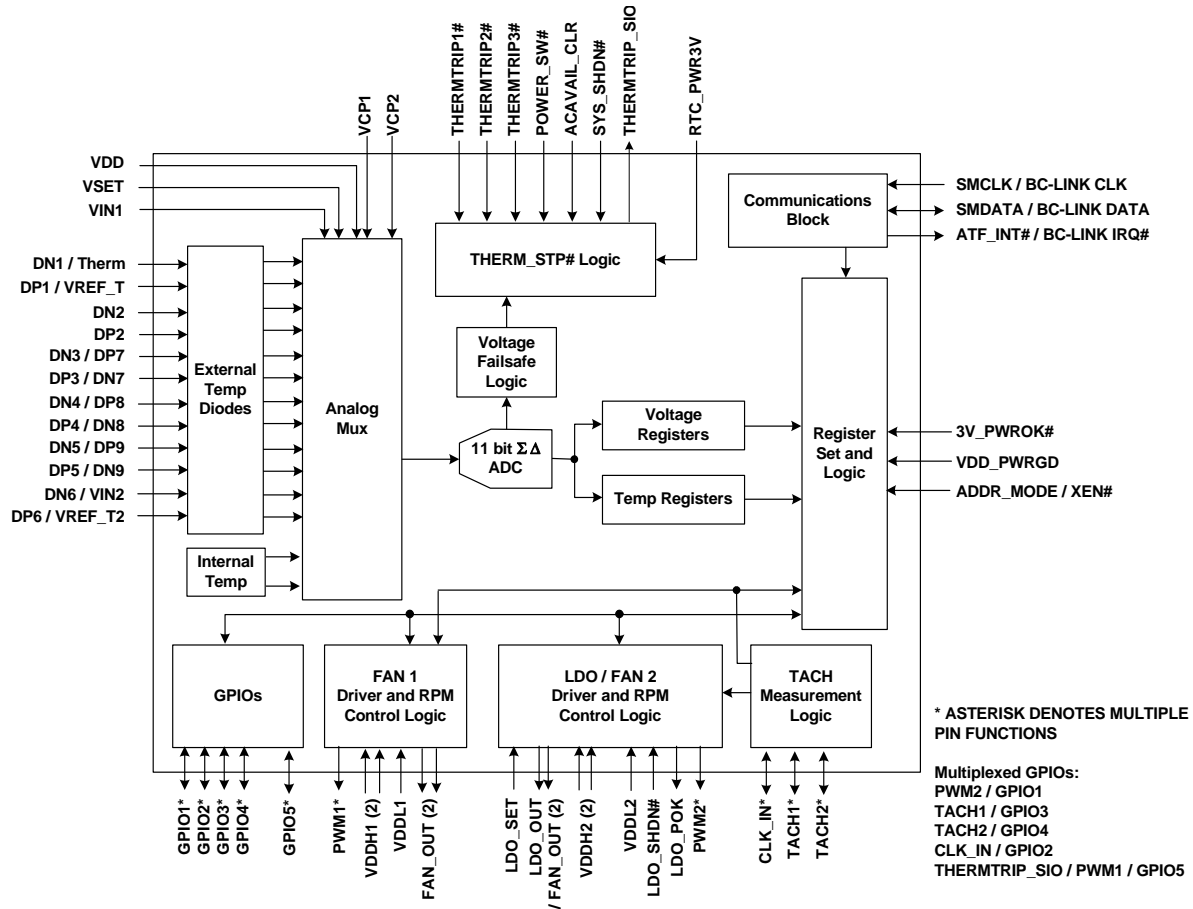


Figure 1.1 EMC4002 Functional Block Diagram

## Chapter 2 Pin Configuration

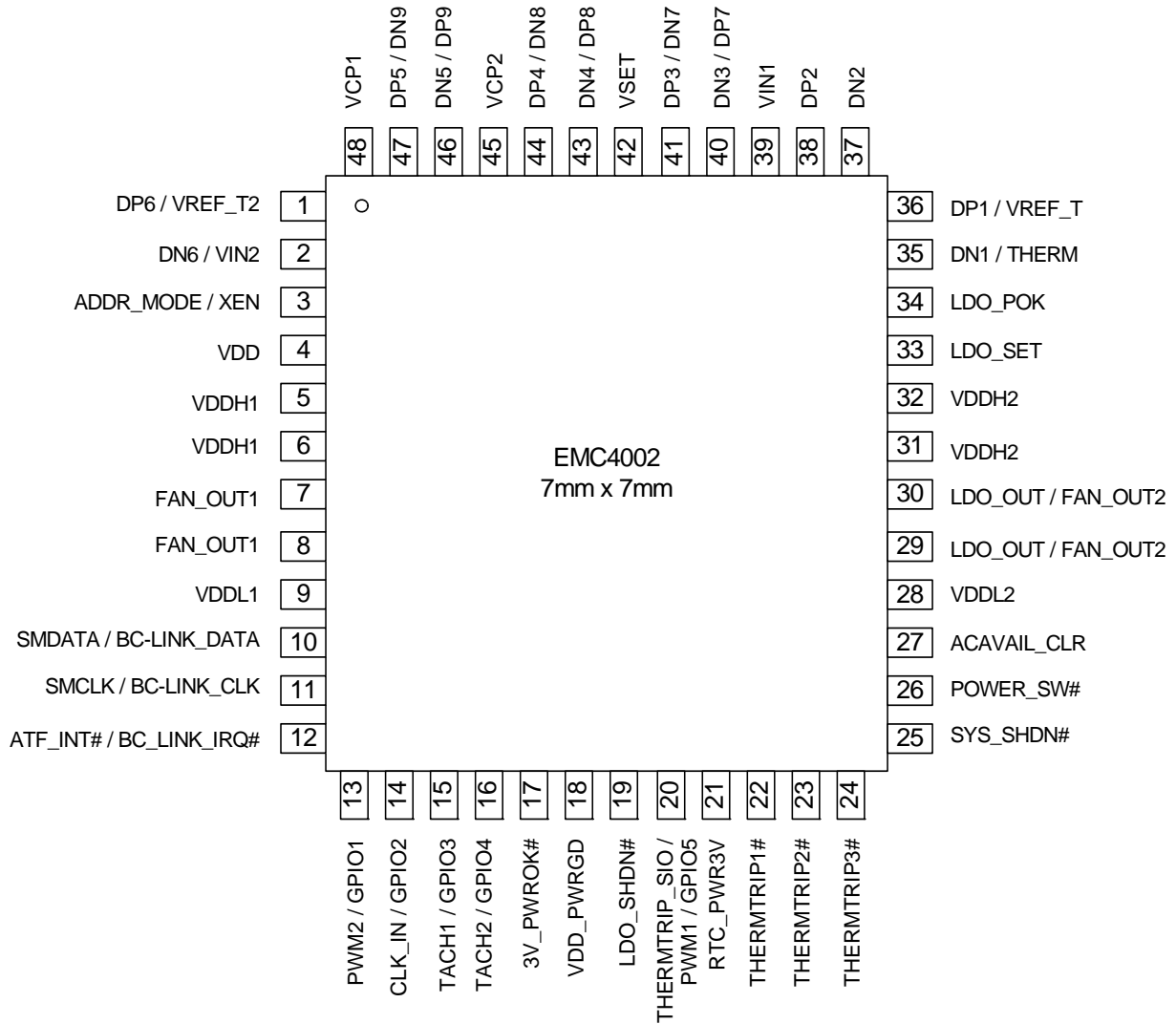


Figure 2.1 Pin Diagram for EMC4002

## Data Sheet

Table 2.1 Pin Functions for EMC4002

PIN NUMBER	NAME	FUNCTION	PIN TYPE	POWER PLANE
1	DP6 / VREF_T2	DP6 - External Diode 6 positive (anode) connection	AIO (2V)	VDD
		VREF_T2 - Switched reference output	AIO (2V)	VDD
2	DN6 / VIN2	DN6 - External Diode 6 negative (cathode) connection	AIO (2V)	VDD
		VIN2 - General ADC input 2	AIO (2V)	VDD
3	ADDR_MODE / XEN	ADDR_MODE - Address mode selection	DI (5V)	VDD
		XEN - XOR Mode enable	DI (5V)	VDD
4	VDD	Positive Supply Voltage for general operation	Power	VDD
5	VDDH1	5V supply for Dual Voltage Fan Driver	Power (5V)	VDDH1
6	VDDH1	5V supply for Dual Voltage Fan Driver	Power (5V)	VDDH1
7	FAN_OUT1	Fan output for Dual Voltage Fan Driver 1	AO (5V)	VDDH1 and VDDL1
8	FAN_OUT1	Fan output for Dual Voltage Fan Driver 1	AO (5V)	VDDH1 and VDDL1
9	VDDL1	3.3V supply for Dual Voltage Fan Driver	Power	VDDL1
10	SMDATA / BC-LINK_DATA	SMDATA - Bi-directional SMBus data line. Requires a pull up resistor	DIOD (5V)	VDD
		BC-LINK_DATA - Bi-directional BC-Link Data line. Requires a pull-up resistor	DIOD (5V)	VDD
11	SMCLK / BC-LINK_CLK	SMCLK - SMBus Clock line.	DI (5V)	VDD
		BC-LINK_CLK - BC-LINK Clock line.	DI (5V)	VDD
12	ATF_INT# / BC-LINK_IRQ#	ATF_INT# - Active low interrupt output for SMBus	OD (5V)	VDD
		BC-LINK_IRQ# - Active low interrupt output for BC-LINK	OD (5V)	VDD
13	PWM2 / GPIO1	PWM2 - Open Drain PWM Output (software programmed)	OD (5V)	VDD
		PWM2 - Push - Pull PWM Output (software programmed)	DO	VDD
		GPIO1 - General purpose input (default)	DI (5V)	VDD
		GPO1 - General purpose push-pull output (software programmed)	DO	VDD
		GPO1 - General purpose open drain output (software programmed)	OD (5V)	VDD

Table 2.1 Pin Functions for EMC4002 (continued)

PIN NUMBER	NAME	FUNCTION	PIN TYPE	POWER PLANE
14	CLK_IN / GPIO2	CLK_IN - 32.768kHz clock input for TACH measurement (default)	DI (5V)	VDD
		GPI2 - General purpose input (software programmed)	DI (5V)	VDD
		GPO2 - General purpose push-pull output (software programmed)	DO	VDD
		GPO2 - General purpose open drain output (software programmed)	OD (5V)	VDD
15	TACH1 / GPIO3	TACH1 - TACH input for fan controller 1 (default)	DI (5V)	VDD
		GPI3 - General purpose input (software programmed)	DI (5V)	VDD
		GPO3 - General purpose push-pull output (software programmed)	DO	VDD
		GPO3 - General purpose open drain output (software programmed)	OD (5V)	VDD
16	TACH 2 / GPIO4	TACH2 - TACH input for fan controller 2 (software programmed)	DI (5V)	VDD
		GPI4 - General purpose input (default)	DI (5V)	VDD
		GPO4 - General purpose push-pull output (software programmed)	DO	VDD
		GPO4 - General purpose open drain output (software programmed)	OD (5V)	VDD
17	3V_PWROK#	Active low power okay input	DI (5V)	VDD
18	VDD_PWRGD	Active high power okay input	DI (5V)	VDD
19	LDO_SHDN#	Active low shutdown for LDO	DI (5V)	VDD

## Data Sheet

Table 2.1 Pin Functions for EMC4002 (continued)

PIN NUMBER	NAME	FUNCTION	PIN TYPE	POWER PLANE
20	THERMTRIP_SIO / PWM1 / GPIO5	THERMTRIP_SIO - Open Drain, active high output from ThermTrip Logic (default)	OD (5V)	RTC_PWR3V
		PWM1 - Open Drain PWM driver output	OD (5V)	RTC_PWR3V
		PWM1 - Push-Pull PWM driver output	DO	RTC_PWR3V
		GPI5 - General purpose input (software programmed)	DI (5V)	RTC_PWR3V
		GPO5 - General purpose push-pull output (software programmed)	DO	RTC_PWR3V
		GPO5 - General purpose open drain output (software programmed)	OD (5V)	RTC_PWR3V
21	RTC_PWR3V	RTC power input	Power	RTC_PWR3V
22	THERMTRIP1#	Active low thermtrip input	DI (5V)	RTC_PWR3V
23	THERMTRIP2#	Active low thermtrip input	DI (5V)	RTC_PWR3V
24	THERMTRIP3#	Active low thermtrip input	DI (5V)	RTC_PWR3V
25	SYS_SHDN#	Active low output from ThermTrip Logic	OD (5V)	RTC_PWR3V
26	POWER_SW#	Active low reset for ThermTrip logic output	DI (5V)	RTC_PWR3V
27	ACAVAIL_CLR	Active high reset for Thermtrip logic output	DI (5V)	RTC_PWR3V
28	VDDL2	VDDL2 - LDO supply	Power	VDDL2
		VDDL2 - Dual Voltage Fan Driver 2 3.3V supply	Power	VDDL2
29	LDO_OUT / FAN_OUT2	LDO_OUT - LDO regulated output	AO (5V)	VDDL2 and VDDH2
		FAN_OUT2 - Dual Voltage Fan Driver 2 Output	AO (5V)	VDDL2 and VDDH2
30	LDO_OUT / FAN_OUT2	LDO_OUT - LDO regulated output	AO (5V)	VDDL2 and VDDH2
		FAN_OUT2 - Dual Voltage Fan Driver 2 Output	AO (5V)	VDDL2 and VDDH2
31	VDDH2	VDDH2- LDO supply	Power	VDDH2
		VDDH2 - Dual Voltage Fan Driver 5V supply	Power	VDDH2
32	VDDH2	VDDH2 - LDO supply	Power	VDDH2
		VDDH2 - Dual Voltage Fan Driver 2 5V supply	Power	VDDH2
33	LDO_SET	LDO output set input	AIO	VDDH2

Table 2.1 Pin Functions for EMC4002 (continued)

PIN NUMBER	NAME	FUNCTION	PIN TYPE	POWER PLANE
34	LDO_POK	Power Ok output signal for LDO	OD (5V)	VDD
35	DN1 / THERM	DN1 - External Diode 1 negative (cathode) connection	AIO (2V)	VDD
		THERM - Thermistor measurement input	AIO (2V)	VDD
36	DP1 / VREF_T	DP1 - External Diode 1 positive (anode) connection	AIO (2V)	VDD
		VREF_T - Thermistor measurement reference voltage	AIO (2V)	VDD
37	DN2	External Diode 2 negative (cathode) connection	AIO (2V)	VDD
38	DP2	External Diode 2 positive (anode) connection	AIO (2V)	VDD
39	VIN1	General Voltage Input	AIO (2V)	VDD
40	DN3 / DP7	External Diode 3 negative (cathode) connection and External Diode 7 positive (anode) connection when APD enabled	AIO (2V)	VDD
41	DP3 / DN7	External Diode 3 positive (anode) connection and External Diode 7 negative (cathode) connection when APD enabled	AIO (2V)	VDD
42	VSET	Voltage input to set hardware failsafe temperature threshold	AIO (2V)	VDD
43	DN4 / DP8	External Diode 4 negative (cathode) connection and External Diode 8 positive (anode) connection when APD enabled	AIO (2V)	VDD
44	DP4 / DN8	External Diode 4 positive (anode) connection and External Diode 8 negative (cathode) connection when APD enabled	AIO (2V)	VDD
45	VCP2	Voltage Input for VCP2 channel	AIO	VDD
46	DN5 / DP9	External Diode 5 negative (cathode) connection and External Diode 9 positive (anode) connection when APD enabled	AIO (2V)	VDD
47	DP5 / DN9	External Diode 5 positive (anode) connection and External Diode 9 negative (cathode) connection when APD enabled	AIO (2V)	VDD
48	VCP1	Voltage Input for VCP1 channel	AIO	VDD
Exposed Bottom Pad	VSS	Ground Connection	Power	

**Data Sheet**

The EMC4002 is available in a 48 pin 7mm x 7mm QFN package with exposed pad. The Exposed bottom pad must be electrically connected to ground for proper operation and thermal protection.

All pins labelled (5V) are 5V tolerant. All pins labelled (2V) are 2V tolerant.

The pin type is shown in [Table 2.2](#).

**Table 2.2 Pin Types**

<b>PIN TYPE</b>	<b>DESCRIPTION</b>
Power	This pin is used to supply power or ground to the device.
DI	Digital Input - this pin is used as a digital input. This pin is 5V tolerant.
AIO	Analog Input / Output - this pin is used as an I/O for analog signals.
AO	Analog Output - this pin is used for outputting analog signals and may have large current sourcing capabilities
DO	Push / Pull Digital Output - this pin is used as a digital output. It can both source and sink current.
DIOD	Digital Input / Open Drain Output this pin is used as an digital I/O. When it is used as an output, it is open drain and requires a pull-up resistor. This pin is 5V tolerant.
OD	Open Drain Digital Output - this pin is used as a digital output. It is open drain and requires a pull-up resistor. This pin is 5V tolerant.

## Chapter 3 Electrical Specifications

### 3.1 Absolute Maximum Ratings

Table 3.1 Absolute Maximum Ratings

DESCRIPTION Note 3.1	RATING	UNIT
Voltage on VDD pin	4V	V
Voltage on RTC_PWR3V pin	4V	V
Voltage on 5V tolerant pins	-0.3 to 6.5	V
Voltage on LDO_OUT pin	-0.3 to VDDH2 or VDDL2+ 0.3	V
Voltage on FAN_OUT pin	-0.3 to VDDH1 + 0.3 or VDDH2 + 0.3	V
Voltage on SYS_SHDN# and THERMTRIP_SIO pins	-0.3 to RTC_PWR3V + 0.3	V
Voltage on 2V tolerant pins	-0.3 to 2.6	V
Voltage on any other pin to GND	-0.3 to VDD + 0.3	V
Operating Ambient Temperature Range	0 to 85	°C
Operating Die Temperature Range	0 to 125	°C
Storage Temperature Range	-55 to 150	°C
Package Power Dissipation Note 3.2	1.2W up to $T_A = 85^{\circ}\text{C}$	W
Power Derating	44, $T_A > 85^{\circ}\text{C}$	mW /°C
Junction to Ambient ( $\theta_{JA}$ ) Note 3.3	20-52	°C/W
ESD Rating, All pins HBM	2000	V

**Note:** Stresses above those listed could cause permanent damage to the device. This is a stress rating only and functional operation of the device at any other condition above those indicated in the operation sections of this specification is not implied. When powering this device from laboratory or system power supplies, it is important that the Absolute Maximum Ratings not be exceeded or device failure can result. Some power supplies exhibit voltage spikes on their outputs when the AC power is switched on or off. In addition, voltage transients on the AC power line may appear on the DC output. If this possibility exists, it is suggested that a clamp circuit be used.

**Note 3.1** All voltages are relative to ground.

**Note 3.2** The Package Power Dissipation specification assumes a thermal via design consisting of nine 20mil vias connected to the ground plane with a 4x4mm thermal landing.

**Note 3.3** Junction to Ambient ( $\theta_{JA}$ ) is dependent on the design of the thermal vias. Without thermal vias and a thermal landing, the  $\theta_{JA}$  is approximately 52°C/W including localized PCB temperature increase. Refer to Application Note “Power and Layout Considerations for EMC4002” for design guidance to implement the thermal via and landing solution.



## 3.2 Electrical Specifications

Table 3.2 Electrical Specifications

VDD = 3V to 3.6V, RTC_PWR3V = 2V to 3.6V, VDDL2 = VDDH2 = 3V to 5.5V, VDDL1 = 3.3V to 3.6V, VDDH1 = 4.5V to 5.5V, T <sub>A</sub> = 0°C to 85°C All Typical values at VDD = 3.3V, RTC_PWR3V = 3.3V, VDDH2 = VDDL2 = 3.3V, VDDH1 = 5V, VDDL1 = 3.3V, T <sub>A</sub> = 27°C unless otherwise noted.						
CHARACTERISTIC	SYMBOL	MIN	TYP	MAX	UNIT	CONDITIONS
DC Power						
Supply Voltage (VDD)	VDD	3	3.3	3.6	V	
RTC Supply Voltage	RTC_PWR3V	2	3.3	3.6	V	
RTC Data Retention		2			V	
Supply Current from VDD pin	I <sub>SUS</sub>		1.5	2	mA	Continuous Conversions, Fan Drivers enabled at max frequency (PWM)
Supply current from RTC_PWR3V pin	I <sub>RTC</sub>			5	uA	Monitoring Disabled, Fan Drivers Disabled, LDO disabled, VDD disabled.
Sleep Current from VDD	I <sub>SLEEP</sub>		700		uA	Fan drivers disabled, Monitoring disabled (3V_PWROK# or VSUS_PWRGD unasserted)
Low Power Current from VDD	I <sub>LPM</sub>		900		uA	Fan drivers disabled. 3V_PWROK# or VSUS_PWRGD unasserted. LPM bit set. Continuous Conversions
POR Threshold	V <sub>PORR</sub>		2.2		V	Rising edge of VDD or RTC_PWR3V
	V <sub>PORF</sub>		2		V	Falling edge of VDD
External Temperature Monitors						
Temperature Accuracy			±0.5	±1	°C	60°C < T <sub>DIODE</sub> < 100°C, 30°C < T <sub>die</sub> < 85°C <a href="#">Note 3.4</a>
			±1	±2	°C	0°C < T <sub>DIODE</sub> < 125°C, 0°C < T <sub>die</sub> < 115°C <a href="#">Note 3.4</a>
Temperature Resolution			0.125		°C	
Conversion Time per Channel	t <sub>CONV</sub>		43		ms	External Diodes 1 - 3
	t <sub>CONV</sub>		22		ms	External Diodes 4 - 9
Diode decoupling capacitor	C <sub>FILTER</sub>		2200	2700	pF	Connected across external diode
Resistance Error Corrected	R <sub>SERIES</sub>			100	Ohm	Total series resistance in DP and DN lines
Thermistor Monitors						
Voltage Measurement Accuracy	V <sub>THERM</sub>		0.5	1	%	20°C < T <sub>THERM</sub> < 80°C 1%, 10k Thermistor connected to ground

Table 3.2 Electrical Specifications (continued)

VDD = 3V to 3.6V, RTC_PWR3V = 2V to 3.6V, VDDL2 = VDDH2 = 3V to 5.5V, VDDL1 = 3.3V to 3.6V, VDDH1 = 4.5V to 5.5V, T <sub>A</sub> = 0°C to 85°C All Typical values at VDD = 3.3V, RTC_PWR3V = 3.3V, VDDH2 = VDDL2 = 3.3V, VDDH1 = 5V, VDDL1 = 3.3V, T <sub>A</sub> = 27°C unless otherwise noted.						
CHARACTERISTIC	SYMBOL	MIN	TYP	MAX	UNIT	CONDITIONS
Temperature Accuracy	T <sub>THERM</sub>		1	2	°C	20°C < T <sub>THERM</sub> < 80°C 1%, 10k Thermistor connected to ground (Note 3.5), 1% resistor from VREF to VIN
Voltage Monitors						
Total Unadjusted Error	TUE			1	%	Measured at 3/4 full scale
Differential Non-Linearity	DNL		±0.5		LSB	
Input Impedance	RIN	232	300		kOhm	Impedance for those inputs with input attenuators (VCP1, VCP2, VDD)
Conversion Time Per Channel	t <sub>CONV</sub>		12.25		ms	
PWM Driver						
PWM Resolution	PWM		1024		Steps	
PWM Duty Cycle	DUTY	0		100	%	
RPM Based Fan Controller						
Tachometer Range	TACH	480		16000	RPM	
Tachometer Setting Accuracy	Δ <sub>TACH</sub>		±1	±2	%	External oscillator 32.768kHz
	Δ <sub>TACH</sub>		±2.5	±5	%	Internal Oscillator 40°C < T <sub>DIE</sub> < 100°C
Dual Voltage Fan Driver						
Supply current from VDDH pin	I <sub>DD5</sub>		35		uA	Fan not being driven
Supply current from VDDL pin	I <sub>DD3</sub>		140		uA	Fan not being driven
Output High Voltage from 5V supply	V <sub>OH_5V</sub>		VDDH - 0.3	VDDH - 0.4	V	I <sub>SOURCE</sub> = 600mA, VDDH = 5V
Sourcing Current	I <sub>SOURCE</sub>			600	mA	
DC Short Circuit Current Limit	I <sub>SHORT</sub>		700		mA	Sourcing current, Thermal shutdown not triggered, FAN_OUT = 0V
Short circuit delay	t <sub>DFS</sub>		2		s	See Section 5.7.1
Output Capacitive Load	C <sub>LOAD</sub>	10		100	uF	100mΩ < ESR < 1Ω

## Data Sheet

Table 3.2 Electrical Specifications (continued)

VDD = 3V to 3.6V, RTC_PWR3V = 2V to 3.6V, VDDL2 = VDDH2 = 3V to 5.5V, VDDL1 = 3.3V to 3.6V, VDDH1 = 4.5V to 5.5V, T <sub>A</sub> = 0°C to 85°C All Typical values at VDD = 3.3V, RTC_PWR3V = 3.3V, VDDH2 = VDDL2 = 3.3V, VDDH1 = 5V, VDDL1 = 3.3V, T <sub>A</sub> = 27°C unless otherwise noted.						
CHARACTERISTIC	SYMBOL	MIN	TYP	MAX	UNIT	CONDITIONS
Low Dropout Regulator						
LDO Input Voltage	V <sub>LDO_IN</sub>	3.0	3.3	3.6	V	LDO_SET = Ground
		4.5	5	5.5	V	LDO_SET = 3.3V
LDO Output Voltage	V <sub>LDO_OUT</sub>		2.5		V	LDO_SET = Ground
			3.3		V	LDO_SET = VDD
		1.12		2.5	V	LDO_SET = resistor divider
LDO Quiescent Current	I <sub>LDO</sub>		140		uA	I <sub>LOAD</sub> = 0A, VDDH2 = VDDL2
LDO Output Current	I <sub>LOAD</sub>	0		600	mA	LDO_OUT = 2.5V
		0		400	mA	LDO_OUT = 3.3V
Regulated Output Voltage Accuracy	ΔV <sub>LDO_OUT</sub>		1	2	%	I <sub>LOAD</sub> = 600mA
Line Regulation	ΔV <sub>LNR</sub>		0.5		%	I <sub>LOAD</sub> = 600mA, V <sub>LDO_IN</sub> = 3.0V to 3.6V
Load Regulation	ΔV <sub>LDR</sub>		0.5		%	I <sub>LOAD</sub> = 0A to 600mA
Short Circuit Current	I <sub>SHORT</sub>		700	1000	mA	V <sub>LDO_OUT</sub> = 0V
Output Capacitive Load requirement	C <sub>LOAD</sub>	10		100	uF	100mΩ < ESR < 1Ω
POK Range relative to nominal LDO output Voltage	V <sub>OK</sub>	80	82.5	85	%	LDO_SET = ground or +3.3V Compared to V <sub>LDO_OUT</sub>
		75	82.5	90	%	LDO_SET = resistor divider Compared to V <sub>LDO_OUT</sub>
POK Delay	t <sub>DPOK</sub>	42	55	77	us	Delay after LDO output drops below the trip level.
Thermal Shutdown						
Thermal Shutdown Threshold	TSD <sub>TH</sub>		150		°C	
Thermal Shutdown Hysteresis	TSD <sub>HYST</sub>		50		°C	
Digital I/O, ALERT#, and LDO_POK pins						
Input High Voltage	V <sub>IH</sub>	2.0			V	
Input Low Voltage	V <sub>IL</sub>			0.8	V	
Output High Voltage	V <sub>OH</sub>	VDD - 0.4			V	4mA current drive

Table 3.2 Electrical Specifications (continued)

VDD = 3V to 3.6V, RTC_PWR3V = 2V to 3.6V, VDDL2 = VDDH2 = 3V to 5.5V, VDDL1 = 3.3V to 3.6V, VDDH1 = 4.5V to 5.5V, T <sub>A</sub> = 0°C to 85°C All Typical values at VDD = 3.3V, RTC_PWR3V = 3.3V, VDDH2 = VDDL2 = 3.3V, VDDH1 = 5V, VDDL1 = 3.3V, T <sub>A</sub> = 27°C unless otherwise noted.						
CHARACTERISTIC	SYMBOL	MIN	TYP	MAX	UNIT	CONDITIONS
Output Low Voltage	V <sub>OL</sub>			0.4	V	4mA current sink
Leakage Current	ILEAK			±5	µA	ALERT#, SYS_SHDN#, THERMTRIP_SIO pins Device powered or unpowered

**Note 3.4** T<sub>DIE</sub> refers to the internal die temperature and may not match T<sub>A</sub> due to self heating of the device. The internal temperature sensor will return T<sub>DIE</sub>.

**Note 3.5** The EMC4002 performs no calculations to determine the thermistor temperature. These specifications are based on the thermistor data shown in [Table A.1, "Low Side" Thermistor Look Up Table](#) and are not guaranteed.

### 3.3 SMBus Electrical Characteristics

VDD = 3V to 3.6V, T <sub>A</sub> = 0°C to 85°C, Typical values are at T <sub>A</sub> = 27°C unless otherwise noted.						
CHARACTERISTIC	SYMBOL	MIN	TYP	MAX	UNITS	CONDITIONS
SMBus Interface						
Input High Voltage	V <sub>IH</sub>	2.0			V	SMCLK
Input Low Voltage	V <sub>IL</sub>			0.8	V	SMCLK
Output High Voltage	V <sub>OH</sub>	VDD - 0.4			V	24mA current drive - SMDATA
Output Low Voltage	V <sub>OL</sub>			0.4	V	24mA current sink - SMDATA
Input High/Low Current	I <sub>IH</sub> / I <sub>IL</sub>			±5	µA	Device Powered or Unpowered
Hysteresis			420		mV	
SMBus Timing						
Input Capacitance	C <sub>IN</sub>		5		pF	
Clock Frequency	f <sub>SMB</sub>	10		400	kHz	
Spike Suppression	t <sub>SP</sub>			50	ns	
Bus free time Start to Stop	t <sub>BUF</sub>	1.3			µs	
Setup Time: Start	t <sub>SU:STA</sub>	0.6			µs	
Setup Time: Stop	t <sub>SU:STP</sub>	0.6			µs	
Data Hold Time	t <sub>HD:DAT</sub>	0.6		6	µs	
Data Setup Time	t <sub>SU:DAT</sub>	0.6		72	µs	
Clock Low Period	t <sub>LOW</sub>	1.3			µs	

## Data Sheet

VDD = 3V to 3.6V, T <sub>A</sub> = 0°C to 85°C, Typical values are at T <sub>A</sub> = 27°C unless otherwise noted.						
CHARACTERISTIC	SYMBOL	MIN	TYP	MAX	UNITS	CONDITIONS
Clock High Period	t <sub>HIGH</sub>	0.6			us	
Clock/Data Fall time	t <sub>FALL</sub>			300	ns	Min = 20+0.1C <sub>LOAD</sub> ns
Clock/Data Rise time	t <sub>RISE</sub>			300	ns	Min = 20+0.1C <sub>LOAD</sub> ns
Capacitive Load	C <sub>LOAD</sub>			400	pF	per bus line

### 3.4 BC-Link Electrical Characteristics

VDD = 3V to 3.6V, T <sub>A</sub> = 0°C to 85°C, Typical values are at T <sub>A</sub> = 27°C unless otherwise noted.						
CHARACTERISTIC	SYMBOL	MIN	TYP	MAX	UNITS	CONDITIONS
Electrical Interface						
Input High Voltage	V <sub>IH</sub>	2.0			V	BC-LINK_CLK and BC-LINK_DAT
Input Low Voltage	V <sub>IL</sub>			0.8	V	BC-LINK_CLK and BC-LINK_DAT
Output High Voltage	V <sub>OH</sub>	VDD - 0.4			V	24mA current drive - BC-LINK_DAT
Output Low Voltage	V <sub>OL</sub>			0.4	V	24mA current sink - BC-LINK_DAT
Input High/Low Current	I <sub>IH</sub> / I <sub>IL</sub>	-1		1	uA	
Hysteresis			420		mV	
Input Capacitance	C <sub>IN</sub>		5		pF	
Timing						
Clock Period	t <sub>CLK</sub>	34.7	41.6 7	52.1	ns	
Data Hold Time	t <sub>HD:DAT</sub>	0			us	
Data Setup Time	t <sub>SU:DAT</sub>	30			us	Data must be valid before clock
Clock Duty Cycle	Duty	40	50	60	%	

## Chapter 4 Communications Protocols

The EMC4002 communicates with a host controller, such as a Microchip KBC using one of two communications protocols that are automatically detected upon every communication. The two protocols supported are the System Management Bus (SMBus) and the proprietary communications protocol called BC-Link.

**APPLICATION NOTE:** No communications should be sent during the first 15ms after power up.

### 4.1 Selecting Communications Bus

The selection of the communications bus is performed automatically for each transaction. Once a communication begins, the communication type is fixed until the communication ends.

After the communication ends, the device will wait 50ms before it resets the automatic detection circuitry. Therefore, any communications received during this window will be assumed to be using the protocol that was previously detected.

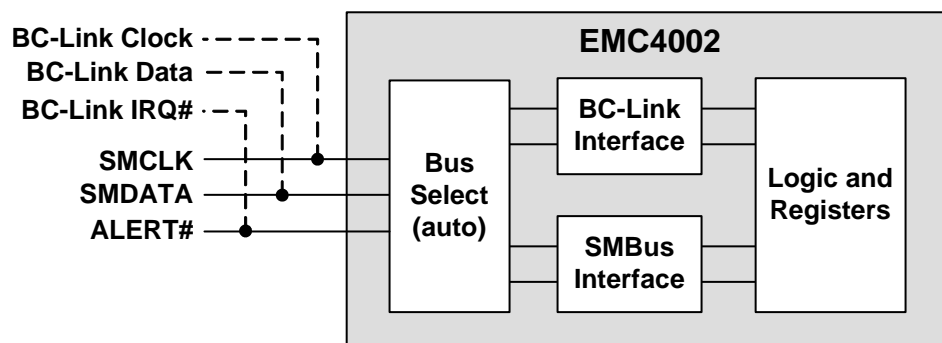


Figure 4.1 BC-Link Multiplexed with SMBus

### 4.2 SMBus Communications

The SMBus is a two-wire serial communication protocol between a computer host and its peripheral devices. A detailed timing diagram is shown in Figure 4.2, "SMBus Timing Diagram". Stretching of the SMCLK signal is supported, however the EMC4002 will not stretch the clock signal.

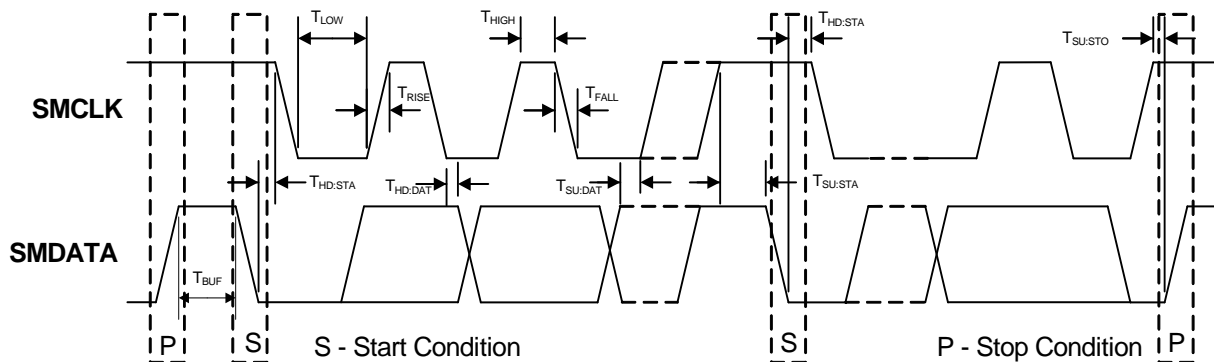


Figure 4.2 SMBus Timing Diagram

### 4.2.1 SMBus Start Bit

The SMBus Start bit is defined as a transition of the SMBus Data line from a logic '1' state to a logic '0' state while the SMBus Clock line is in a logic '1' state. When the EMC4002 detects an SMBus Start bit, it will disable the BC-Link protocol circuitry and communicate using the SMBus Protocol

### 4.2.2 SMBus Address and RD / $\overline{WR}$ Bit

The SMBus Address Byte consists of the 7-bit client address followed by a -bit RD /  $\overline{WR}$  indicator. If this RD / WR bit is a logic '0', then the SMBus Host is writing data to the client device. If this RD / WR bit is a logic '1', then the SMBus Host is reading data from the client device.

The EMC4002 can be used with two 7 bit client addresses. These addresses are chosen by the value of the pull-up resistor on the ADDR\_MODE/XEN pin upon power up. This pin also selects the mode for Remote Diode #1, which can be either a diode or a thermistor. [Table 4.1, "SMBus Address and Mode Selection"](#) summarizes the mode and address selections.

Table 4.1 SMBus Address and Mode Selection

R <sub>PULLUP</sub> ON ADDR_MODE/XEN PIN	REMOTE1 MODE	SMBUS ADDRESS
<= 4.7k Ohm ±5%	2N3904	0101 111(r/w)b
10K Ohm ±5%	2N3904	0101 110(r/w)b
18K Ohm ±5%	Thermistor	0101 111(r/w)b
>= 33k Ohm ±5%	Thermistor	0101 110(r/w)b

Attempting to communicate with the EMC4002 SMBus interface with an invalid client address or invalid protocol will result in no response from the device and will not affect its register contents.

### 4.2.3 SMBus Data Bytes

All SMBus Data bytes are sent MSBit first and composed of 8-bits of information.

#### 4.2.4 SMBus ACK and NACK Bits

The SMBus client will acknowledge all data bytes that it receives (as well as the client address if it matches and the ARA address if the ATF\_INT# pin is asserted). This is done by the client device pulling the SMBus Data line low after the 8th bit of each byte that is transmitted.

The Host will NACK (not acknowledge) the data received from the client by holding the SMBus data line high after the 8th data bit has been sent.

#### 4.2.5 SMBus Stop Bit

The SMBus Stop bit is defined as a transition of the SMBus Data line from a logic '0' state to a logic '1' state while the SMBus clock line is in a logic '1' state. When the EMC4002 detects an SMBus Stop bit, and it has been communicating with the SMBus protocol, it will reset its client interface and prepare to receive further communications.

#### 4.2.6 SMBus Time-out

The EMC4002 includes an SMBus time-out feature. Following a 30ms period of inactivity on the SMBus, the device will time-out and reset the SMBus interface.

#### 4.2.7 SMBus and I<sup>2</sup>C Compliance

The major difference between SMBus and I<sup>2</sup>C devices is highlighted here. For complete compliance information refer to the SMBus 2.0 specification.

1. Minimum frequency for SMBus communications is 10kHz.
2. The client protocol will reset if the clock is held for longer than 30ms.
3. I<sup>2</sup>C devices do not support the Alert Response Address functionality (which is optional for SMBus).

### 4.3 SMBus Protocols

The EMC4002 is SMBus 2.0 compatible and supports Send Byte, Read Byte, Receive Byte and Write Byte as valid protocols as shown below. It will respond to the Alert Response Address protocol but is not in full compliance.

All of the below protocols use the convention in [Table 4.2](#).

**Table 4.2 Protocol Format**

DATA SENT TO DEVICE	DATA SENT TO THE HOST
Data sent	Data sent

#### 4.3.1 SMBus Write Byte

The Write Byte is used to write one byte of data to the registers as shown below [Table 4.3](#):

**Table 4.3 Write Byte Protocol**

START	CLIENT ADDRESS	WR	ACK	REGISTER ADDRESS	ACK	REGISTER DATA	ACK	STOP
0 -> 1	0101_110	0	0	XXh	0	XXh	0	1 -> 0



## Data Sheet

### 4.3.2 SMBus Read Byte

The Read Byte protocol is used to read one byte of data from the registers as shown in [Table 4.4](#).

**Table 4.4 Read Byte Protocol**

START	Client ADDRESS	WR	ACK	Register Address	ACK	START	Client Address	RD	ACK	Register Data	NACK	STOP
0->1	0101_110	0	0	XXh	0	0 ->1	0101_110	1	0	XXh	1	1 -> 0

### 4.3.3 SMBus Send Byte

The Send Byte protocol is used to set the internal address register pointer to the correct address location. No data is transferred during the Send Byte protocol as shown in [Table 4.5](#).

**Table 4.5 Send Byte Protocol**

START	CLIENT ADDRESS	WR	ACK	REGISTER ADDRESS	ACK	STOP
0 -> 1	0101_110	0	0	XXh	0	1 -> 0

### 4.3.4 SMBus Receive Byte

The Receive Byte protocol is used to read data from a register when the internal register address pointer is known to be at the right location (e.g. set via Send Byte). This is used for consecutive reads of the same register as shown in [Table 4.6](#).

**Table 4.6 Receive Byte Protocol**

START	CLIENT ADDRESS	RD	ACK	REGISTER DATA	NACK	STOP
0 -> 1	0101_110	0b	0b	XXh	1	1 -> 0

### 4.3.5 SMBus Alert Response Address

The ATF\_INT# output can be used as a processor interrupt or as an  $\overline{\text{SMBALERT}}$ .

When it detects that the  $\overline{\text{SMBALERT}}$  pin is asserted, the host will send the Alert Response Address (general address of 000\_1100b) on the bus. All devices with active interrupts will respond with their client address as shown in [Table 4.7](#).

**Table 4.7 Alert Response Address Protocol**

START	ALERT RESPONSE ADDRESS	RD	ACK	DEVICE ADDRESS	NACK	STOP
0 -> 1	000_1100	1b	0b	0101_110x	1	1 -> 0

The EMC4002 will respond to the ARA command and will immediately de-assert the ATF\_INT# pin by clearing the INTEN bit (see [Section 6.30](#)).

## 4.4 BC-Link Interface

The BC-Link is a proprietary bus developed to allow communication between a host controller based device to a companion device. This device uses this serial bus to read and write registers and for interrupt processing. The interface uses a data port concept, where the base interface has an address register, data register and a control register, defined in the Microchip's 8051's SFR space.

Refer to documentation for the 8051 based host controller for details on how to access the EMC4002 via the BC-Link Interface.

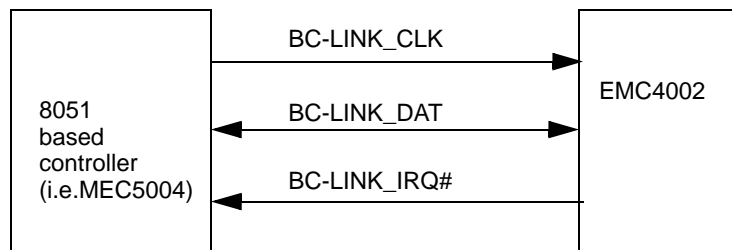


Figure 4.3 LSBC Bus Interface Signal Connections

## Chapter 5 Functional Description

### 5.1 General Operation

The EMC4002 is a combination fan controller device, temperature sensor, and thermal monitor. It contains two RPM based Fan Control Algorithms that monitor the fan's speed and automatically adjust the drive to maintain the desired fan speed. These RPM based Fan Control Algorithms act independently and can be coupled to either a Dual Voltage High Side Fan driver or a PWM output. The Dual Voltage High Side fan drivers offer power savings by only drawing current from the necessary supply line based on the output voltage settings.

In addition, the EMC4002 monitors up to nine (9) external diode or thermistor channels and up to seven (7) voltage channels.

The EMC4002 also acts as an always on thermal monitor to signal a system wide interrupt should the CPU temperature exceed a hardware set limit that cannot be altered via software. This ThermTrip logic uses signals from other external devices to determine overall system operation.

Finally, the EMC4002 contains a programmable Low Dropout Voltage Regulator to supply 3.3V, 2.5V, or a user selected voltage. This LDO is muxed with one of the two Dual Voltage High Side Fan Drivers for flexibility. Each can source up to 600mA of current from the 5V supply or 300mA from the 3.3V supply.

A system level diagram is shown in [Figure 5.1](#).

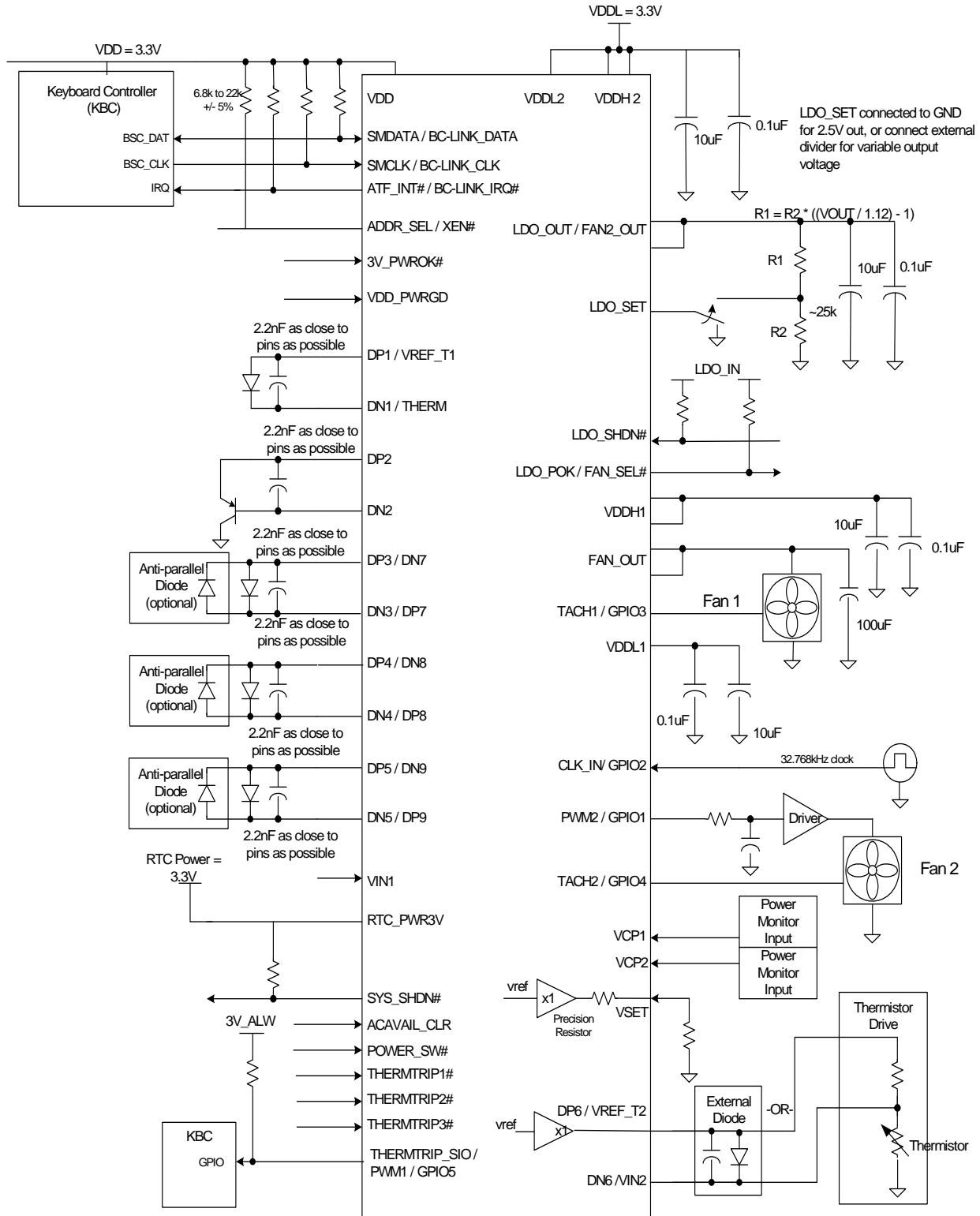


Figure 5.1 System Diagram for EMC4002

## 5.2 Conversion Cycle

The EMC4002 monitors at least six (6) temperature channels (not including internal diode) and as many as nine (9) in addition to at least five (5) voltage channels and as many as seven (7). All of these measurements are performed in a round-robin loop. Whenever the EMC4002 monitoring is disabled (by de-asserting either the 3V\_PWROK# or the VDD\_PWRGD signals) and restarted, the cycle starts from the beginning.

**Table 5.1 Conversion Channel Order**

ORDER	CHANNEL	RESOLUTION
1	External Diode 1	12-bit
	Thermistor 1 (if enabled)	10-bit
2	VSET Voltage	10-bit
3	VDD Voltage	10-bit
4	VCP1 Voltage	10-bit
5	VCP2 Voltage	10-bit
6	External Diode 2	12-bit
7	External Diode 3	12-bit
8	External Diode 7 (if enabled)	11-bit
9	External Diode 4	11-bit
10	External Diode 8 (if enabled)	11-bit
11	External Diode 5	11-bit
12	External Diode 9 (if enabled)	11-bit
13	External Diode 6 (if enabled)	11-bit
	VIN2 (if enabled)	10-bit
14	VIN1	10-bit
15	Internal Diode	9-bit

## 5.3 Power Modes

The EMC4002 has several power modes depending on which functions are enabled. The Temperature monitoring and Fan Drivers are each independently controlled. Typically, the device will only operate in the Run Mode. However, if either the 3V\_PWROK# or VDD\_PWRGD signals become released (either high or low respectively), then the other power modes are available.

- Run Mode - in this mode, the EMC4002 continuously samples and updates all of its temperature channels. The fan drivers are active and the RPM based Fan Control Algorithms are operating (if enabled).
- Low Power - In this mode, the EMC4002 is placed into a lower power mode. This mode is enabled by setting the LPM bit and de-asserting either the VDD\_PWRGD or the 3V\_PWROK# signals. In this mode the monitoring circuitry is still active and will sample and update all of its channels. The SYS\_SHDN# pin will be not be asserted for any reason. The Fan Drivers will be disabled but the LDO will still be active unless disabled.

- Sleep - in this mode, the EMC4002 is placed into the lowest power mode available. This mode is enabled by clearing the LPM bit (if set) and de-asserting either the VDD\_PWRGD or the 3V\_PWROK# signals to disable monitoring. The Fan Drivers will be disabled and the LDO will still be active unless disabled. If disabled, then the device will be at its lowest power setting.
- RTC Power Mode - this mode is reached by removing the VDD power supply. The device will not function and cannot be communicated with in any way. The ThermTrip Logic will still be powered though it cannot be updated.

**APPLICATION NOTE:** When in the RTC Power Mode, the THERMTRIP\_SIO pin will be set to the default setting of THERMTRIP\_SIO.

Table 5.2 Power States

POWER STATE	TEMP AND LIMITS	FAN DRIVER	LDO	SMBUS AND GPIOs	SYS_SHDN	NOTES	ACTIVATION	SUPPLIES USED
Run Mode	Active	Active	User Defined	Active	Active	All active as programmed	VDD present, 3V_PWROK# and VSUS_PWRG asserted, VDDH and VDDL present	VDD VDDH and VDDL RTC
Low Power	Active	Not Active	User Defined	Active	Not Active	Monitoring active as programmed. Fan Drivers disabled.	VDD present, 3V_PWROK# or VSUS_PWRGD unasserted, LPM bit set	VDD VDDH and VDDL (if LDO Active) RTC
Sleep	Not Active	Not Active	User Defined	Active	Not Active	ADC, temp monitor, fan drivers disabled	VDD present 3V_PWROK# or VSUS_PWRGD unasserted, LPM bit not set	VDD (if LDO Active) VDDH and VDDL (if LDO Active) RTC
RTC Power	Not Active	Not Active	Not Active	Not Active	Not Active	All blocks powered down. Data retention on ThermTrip Status register only	VDD not present	RTC

## 5.4 Fan Control Modes of Operation

The EMC4002 has two modes of operation for the High Side Fan Driver. They are:

1. Manual Mode - in this mode of operation, the user directly controls the fan drive setting. Updating the Fan Driver Setting Register (see [Section 6.32, "Fan Driver Setting Registers"](#)) will update the fan drive based on the programmed ramp rate (default disabled).
  - The Manual Mode is enabled by clearing the EN\_ALGO bit in the Fan Configuration Register (see [Section 6.33, "Fan Configuration 1 Registers"](#)).
  - Whenever the Manual Mode is enabled the current drive settings will be changed to what was last used by the RPM control algorithm.
  - Setting the drive value to 00h will disable the High Side Fan Driver for lower power operation.
  - Changing the drive value from 00h will invoke the Spin Up Routine.
2. Using RPM based Fan Control Algorithm - in this mode of operation, the user determines a target tachometer reading and the drive setting is automatically updated to achieve this target speed.

## Data Sheet

Table 5.3 Fan Controls Active for Operating Mode

MANUAL MODE	ALGORITHM
Fan Driver Setting (read / write)	Fan Driver Setting (read only)
EDGES[1:0] (Fan Configuration)	EDGES[1:0] (Fan Configuration)
UPDATE[2:0] (Fan configuration)	UPDATE[2:0] (Fan Configuration)
LEVEL (Spin Up Configuration)	LEVEL (Spin Up Configuration)
SPINUP_TIME[1:0] (Spin Up Configuration)	SPINUP_TIME[1:0] (Spin Up Configuration)
Fan Step	Fan Step
-	Fan Minimum Drive
Valid TACH Count	Valid TACH Count
-	TACH Target
TACH Reading	TACH Reading
RANGE[2:0] (Fan Configuration 2)	RANGE[2:0] (Fan Configuration 2)
-	DRIVE_FAIL_CNT[2:0] (Spin Up Config) and Drive Fail Band

## 5.5 RPM Based Fan Control Algorithms

The EMC4002 includes two RPM based Fan Control Algorithms. Each algorithm operates independently and controls a separate fan driver.

This fan control algorithm uses Proportional, Integral, and Derivative terms to automatically approach and maintain the system's desired fan speed to an accuracy directly proportional to the accuracy of the clock source. [Figure 5.2, "RPM based Fan Control Algorithm"](#) shows a simple flow diagram of the RPM based Fan Control Algorithm operation.

The desired tachometer count is set by the user inputting the desired number of 32.768KHz cycles that occur per fan revolution. The user may change the target count at any time. The user may also set the target count to FFh in order to disable the fan driver for lower current operation.

For example, if a desired RPM rate for a 2-pole fan is 3000 RPMs then the user would input the hexadecimal equivalent of 1312d (52\_00h in the TACH Target Registers). This number represents the number of 32.768KHz cycles that would occur during the time it takes the fan to complete a single revolution when it is spinning at 3000RPMs (see [Section 6.41, "TACH Target Registers"](#) and [Section 6.42, "TACH Reading Registers"](#))

The EMC4002's RPM based Fan Control Algorithm has programmable configuration settings for parameters such as ramp-rate control and spin up conditions. The fan driver automatically detects and attempts to alleviate a stalled/stuck fan condition while also asserting the ATF\_INT# pin. The EMC4002 works with fans that operate up to 16,000 RPMs and provide a valid tachometer signal. The fan controller will function either with an externally supplied 32.768KHz clock source or with its own internal 32KHz oscillator depending on the required accuracy.

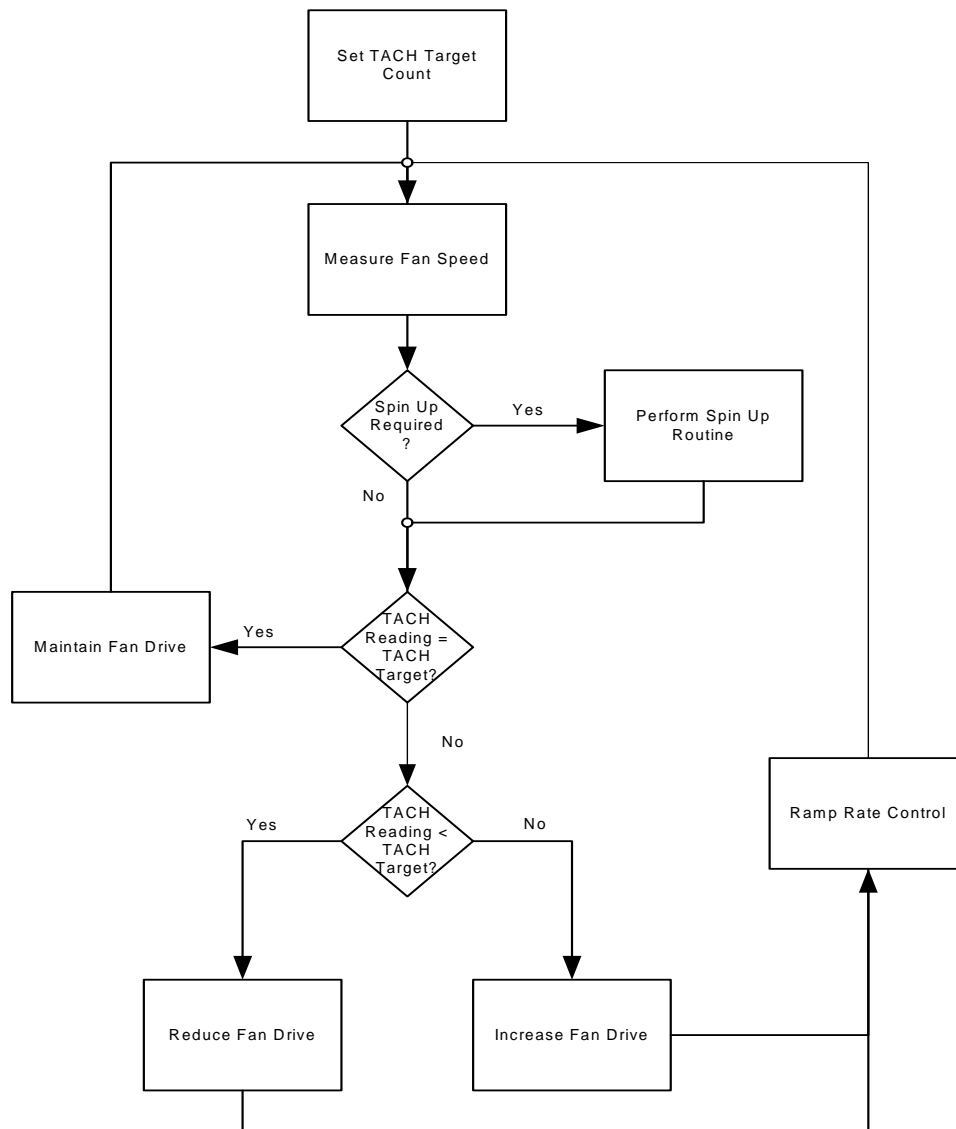


Figure 5.2 RPM based Fan Control Algorithm

### 5.5.1 Programming the RPM based Fan Control Algorithm

The RPM based Fan Control Algorithm powers-up disabled. The following registers control the algorithm. The EMC4002 fan control registers are pre-loaded with defaults that will work for a wide variety of fans so only the TACH Target Register is required to set a fan speed. The other fan control registers can be used to fine-tune the algorithm behavior based on application requirements.

1. Program the GPIO Configuration Register for the desired operation on each pin. Disabling either TACH input will cause the RPM based Fan Control Algorithm to be disabled.
2. Set the Valid TACH Count Register to the minimum tachometer count that indicates the fan is spinning.
3. Set the Spin Up Configuration Register to the spin up level and Spin Time desired.
4. Set the Fan Step Register to the desired step size.



**Data Sheet**

5. Set the Fan Minimum Drive Register to the minimum drive value that will maintain fan operation.
6. Set the Update Time, and Edges options in the Fan Configuration Register.
7. Set the TACH Target Register to the desired tachometer count.
8. Enable the RPM based Fan Control Algorithm by setting the EN\_RPM bit.

**5.5.2 Tachometer Measurement**

In both modes of operation, the tachometer measurement operates independently of the mode of operation of the fan driver and RPM based Fan Speed Control algorithm. Any tachometer reading that is higher than the Valid TACH Count (see [Section 6.39, "Valid TACH Count Registers"](#)) will flag a stalled fan and trigger an interrupt.

When measuring the tachometer, the fan must provide a valid tachometer signal at all times to ensure proper operation. The tachometer measurement circuitry is programmable to detect the fan speed of a variety of fan configurations and architectures including 1-pole, 2-pole (default), 3-pole, and 4-pole fans.

**APPLICATION NOTE:** The tachometer measurement works independently of the drive settings. If the device is put into manual mode and the fan drive is set at a level that is lower than the fan can operate (including zero drive), then the tachometer measurement may signal a Stalled Fan condition and assert an interrupt.

**5.5.2.1 Stalled Fan**

If the TACH Reading Register exceeds the user-programmable Valid TACH Count setting then it will flag the fan as stalled and trigger an interrupt. If the RPM based Fan Control Algorithm is enabled, the algorithm will automatically attempt to restart the fan until it detects a valid tachometer level or is disabled.

The FAN\_STALL Status bit indicates that a stalled fan was detected. This bit is checked conditionally depending on the mode of operation.

- Whenever the Manual Mode is enabled or whenever the drive value is changed from 00h, the FAN\_STALL interrupt will be masked for the duration of the programmed Spin Up Time (see [Table 6.51, "Spin Time"](#)) to allow the fan an opportunity to reach a valid speed without generating unnecessary interrupts.
- In Manual Mode, whenever the TACH Reading Register exceeds the Valid TACH Count Register setting, the FAN\_STALL status bit will be set.
- When the RPM based Fan Control Algorithm, the stalled fan condition is checked whenever the Update Time is met and the fan drive setting is updated. It is not a continuous check.

**5.5.3 Spin Up Routine**

The EMC4002 also contains programmable circuitry to control the spin up behavior of the fan driver to ensure proper fan operation. The Spin Up Routine is initiated under the following conditions:

1. The TACH Target High Byte Register value changes from a value of FFh to a value that is less than the Valid TACH Count (see [Section 6.39](#)).
2. The RPM based Fan Control Algorithm's measured tachometer reading is greater than the Valid TACH Count.
3. When in Manual Mode, the Drive Setting changes from a value of 00h.

When the Spin Up Routine is operating, the fan driver is set to full scale for one quarter of the total user defined spin up time. For the remaining spin up time, the fan driver output is set a a user defined level (30% to 65% drive).

After the Spin Up Routine has finished, the EMC4002 measures the tachometer. If the measured tachometer reading is higher than the Valid TACH Count Register setting, the FAN\_SPIN status bit is set and the Spin Up Routine will automatically attempt to restart the fan.

**APPLICATION NOTE:** When the device is operating in manual mode, the FAN\_SPIN status bit may be set if the fan drive is set at a level that is lower than the fan can operate (excluding zero drive which disables the fan driver(s)). If the FAN\_SPIN interrupt is unmasked, then this condition will trigger an errant interrupt.

Figure 5.3, "Spin Up Routine" shows an example of the Spin Up Routine in response to a programmed fan speed change based on the first condition above.

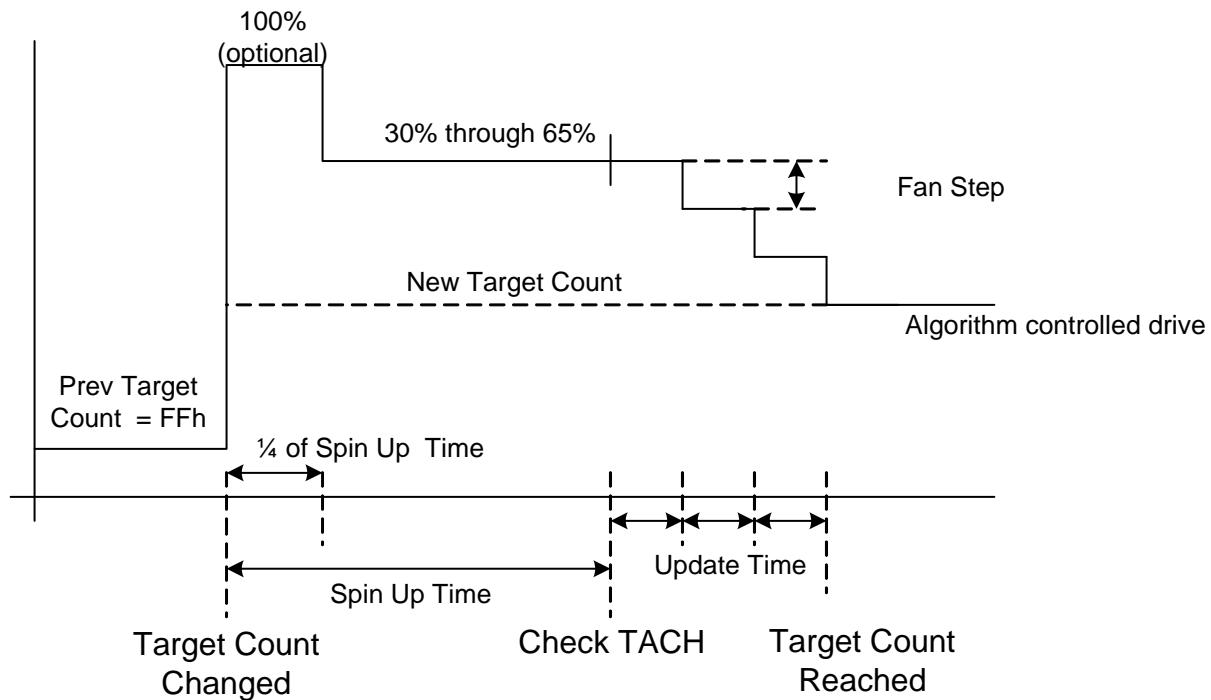


Figure 5.3 Spin Up Routine

### 5.5.4 32KHz Clock Source

The EMC4002 allows the user to choose between supplying an external 32.768KHz clock or use of the internal 32KHz oscillator to measure the tachometer signal. This clock source is used by the RPM based Fan Control Algorithm to calculate the current fan speed. This fan controller accuracy is directly proportional to the accuracy of the clock source.

## 5.6 Watchdog Timer

The EMC4002 contains an internal Watchdog Timer. Once the device has powered up the watchdog timer monitors the bus traffic for signs of activity. The Watchdog Timer starts whenever both the VDD\_PWRGD and 3V\_PWROK# signals are asserted.

If six (6) seconds elapse without the system host programming the device, then the following will occur:

1. The WATCH status bit will be set.
2. The High Side Fan Driver for Fan #1 will be set to full scale. If enabled, the High Side Fan Driver #2 will likewise be set to full scale.

**Data Sheet**

**APPLICATION NOTE:** The PWM channels are not affected by the Watchdog (as the default operation for both PWM outputs is a GPIO).

The Watchdog Timer is disabled when the host device successfully uses the Write Data Byte protocol (for either SMBus or BC-Link) to write any data byte in the EMC4002. The target register does not need to be a defined register and no data needs to be changed. Simply receiving a write command will disable the Watchdog Timer. When it is disabled, the Fan Drivers return to their normal, default, operation.

If the Watchdog timer has been activated and either the VDD\_PWRGD or 3V\_PWROK# pins are deasserted then the Watchdog Timer will be stopped and reset. It will restart once the pins are properly asserted.

## 5.7 Dual Voltage Fan Drivers

The EMC4002 contains two Dual Voltage Fan Drivers with integrated pass devices. One is a dedicated fan driver and the other serves either as a secondary high side fan driver or as an LDO. This new feature biases the pass device from either a 3.3V supply (VDDL) or a 5V supply (VDDH) depending on the output voltage requirements. As the voltage level increases from 0V, the drive current is sourced from the 3.3V supply. This produces immediate power-saving benefits due to the lower voltage dropped across the pass device. When the output voltage reaches a threshold level of approximately 3V, the Dual Voltage Fan Driver seamlessly switches its sourcing supply to the 5V supply for increased drive up to 5V.

The Dual Voltage Fan Driver can source up to 600mA and is controlled by an internal 10 bit DAC that can be programmed to drive virtually any voltage from 0V to 5V.

### 5.7.1 Short Circuit Current Limit

The High Side Fan Driver contains circuitry to allow for significant overcurrent levels to accommodate transient conditions on the FAN pins. The overcurrent limit is dependent upon the output voltage with the limit dropping as the voltage nears 0V.

If the fan driver current detects a short-circuit condition for longer than 2 seconds, then the FANx\_SHORT status bit is set and an interrupt generated. The TACH Target will be set to FF\_F8h (which will disable the Fan Driver)

## 5.8 PWM Drivers

The EMC4002 contains two programmable 10-bit PWM drivers which can serve as part of the RPM based Fan Speed Control Algorithm or in Manual Mode. PWM drivers that are not used by the RPM based Fan Control Algorithm are configured as GPIO's.

When enabled, the PWM drivers can operate in four programmable frequency bands. The lower frequency bands offer frequencies in the range of 9Hz to 4.8kHz while the higher frequency options offer frequencies of 19.5kHz or 26kHz.

**APPLICATION NOTE:** The highest frequency available, 26kHz, operates in 8-bit resolution. All other PWM frequencies operate in 10-bit resolution.

## 5.9 Low Dropout Voltage Regulator

The EMC4002 contains a low dropout voltage regulator that is multiplexed with one of the two Dual Voltage Fan Drivers. The LDO can be configured to regulate a +3.3V output from a +5V source in addition to regulating a 2.5V output from a 3.3V source.

This voltage remains stable over current load up to 600mA and operates independently of the rest of the EMC4002 device. [Figure 5.4](#) shows a general block diagram of the Low Dropout Voltage Regulator.

**APPLICATION NOTE:** The operation of the LDO is not controlled by registers within the EMC4002 device, however it still requires that VDD be present. If the VDD is removed, then the LDO output voltage will drop to 0V.

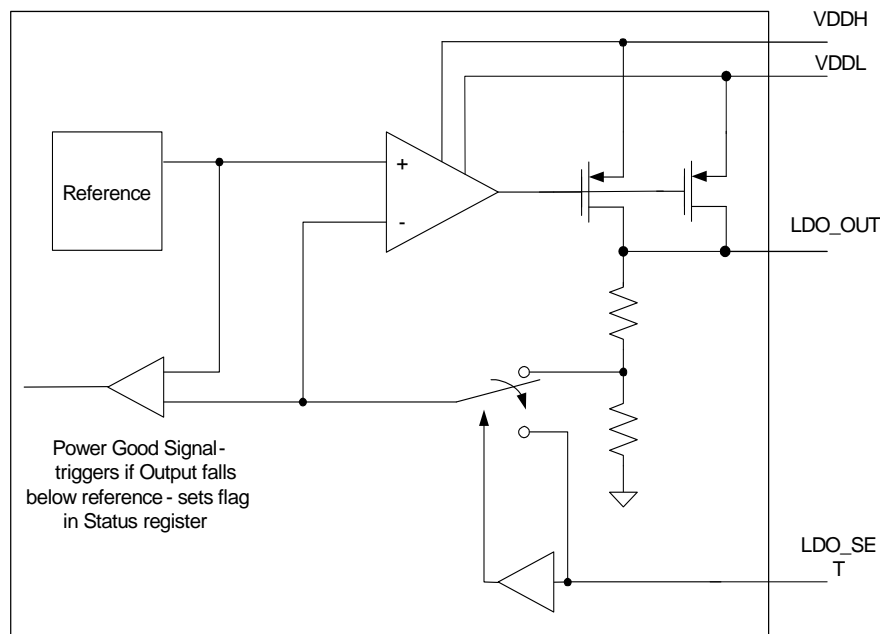


Figure 5.4 Block Diagram of Low Dropout Voltage Regulator

### 5.9.1 Power Control

The LDO, when configured as an LDO is enabled or disabled by the LDO\_SHDN# pin. This pin is active low and when pulled to ground will cause the LDO to be disabled and the output voltage to be 0V.

### 5.9.2 Output Selection

The LDO output is selected at power up by the status of the LDO\_SET pin as shown in [Table 5.4, "LDO / Fan Driver Configuration Options"](#).

At initial power up, the LDO / Dual Voltage Fan Driver is held off for 10ms after power up. After this time, the state of the LDO\_SET pin is monitored and will determine the device operation.

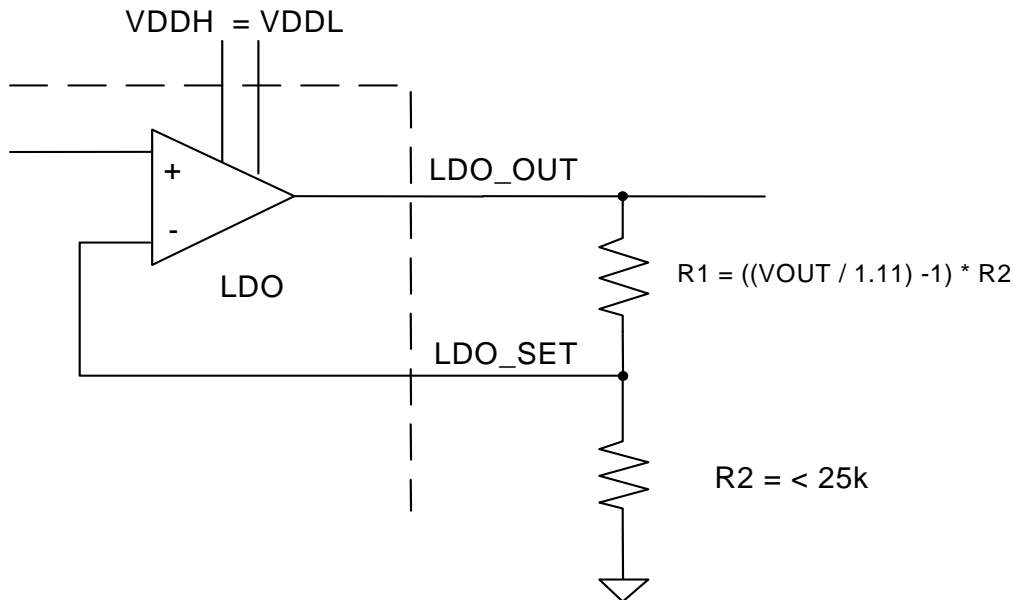
Table 5.4 LDO / Fan Driver Configuration Options

VDDH	VDDL	LDO_SET	MODE / RATINGS
3.3V	3.3V	Ground	LDO, 2.5V fixed @600mA
3.3V	3.3V	Resistor Divider	LDO, 1.2-2.5V adjustable, @ 600mA (see <a href="#">Figure 5.5</a> )
5V	5V	Pull-up to VDD	LDO, 3.3V fixed @ 400mA
5V	3.3V	Pull-up to VDDH2	Fan Driver enabled - 5V @ 600mA

**Data Sheet**

When the LDO is configured to drive an output voltage other than 3.3V or 2.5V, then care must be taken that the power dissipation of the LDO is taken into account for the selected voltage levels. The maximum power dissipation for the LDO should be limited to 0.88W dropped internally. Refer to Application Note "Power and Layout Considerations for EMC4002".

When the LDO is configured to operate as a 2nd Dual Voltage Fan Driver, it will be controlled as described in [Section 5.7, "Dual Voltage Fan Drivers"](#). In this configuration, the LDO\_POK pin will be driven to a logic '0' state. Any pull-up placed on this pin will cause current flow from VDDH.



**Figure 5.5 Adjustable LDO Output Configuration**

### 5.9.3 Power OK

The LDO has an external signal called LDO\_POK that is used by the LDO to indicate that the regulated voltage is within specified limits. The output voltage is constantly measured and compared against the internal reference. If the regulated voltage drops below 15%-20% of its nominal value, the LDO\_POK pin will be driven low after a delay of approximately 50us and the status register will be updated.

In the event of a short circuit condition, or in the event of a Thermal Shutdown condition, this signal will be asserted low after a delay of approximately 50us and remain low while the condition remains in effect.

### 5.9.4 Short Circuit Condition

The LDO has internal circuitry that detects a short circuit condition. When a short circuit condition is detected (and the LDO is enabled), the LDO\_POK will be asserted low and the LDO\_SHORT bit will be set in the Status registers. If the interrupts are enabled for the LDO, this will cause the ATF\_INT# pin to be asserted low. The LDO will be held off until the short circuit condition is removed and then returned to its normal operating condition.

## 5.10 Thermal Shutdown

The EMC4002 contains an internal Thermal Shutdown circuit. If the die temperature exceeds the shutdown threshold which is set at approximately 150°C then a Thermal Shutdown event has occurred. In the case of a Thermal Shutdown event, the TSD bit in both the Status register and the ThermTrip

status register will be set. If the Thermal Shutdown interrupt is not masked, then the ATF\_INT# pin will be asserted low. In the case of a Thermal Shutdown, the LDO\_POK signal will also be set low and the LDO will be disabled (if enabled).

The Thermal Shutdown will remain asserted until the die temperature drops below the threshold level minus the hysteresis (typical 50°C) at which point it will automatically be released.

**APPLICATION NOTE:** The Thermal Shutdown will NOT affect the fan driver. Therefore, if the Fan Driver is operating at a maximum power dissipation condition (2.5V out with high current drive), it is possible that it may cause the device to exceed the Thermal Shutdown limit. Because the Thermal Shutdown device does not control the fan driver, the user is responsible to ensure that the Fan Driver circuitry is disabled as necessary to prevent permanent damage to the device.

## 5.11 Voltage Monitors

The EMC4002 contains inputs for measuring the VDD voltage as well as voltages at VSET, VCP1 and VCP2. Additionally, the EMC4002 can be configured to measure inputs VIN1, and VIN2. The nominal value, range, and resolution of the input voltage channels is shown in [Table 5.5, "Voltage Input Characteristics"](#).

**Table 5.5 Voltage Input Characteristics**

VOLTAGE INPUT	NOMINAL INPUT VOLTAGE	MAXIMUM INPUT VOLTAGE	RESOLUTION
VSET	600mV	800mV	3.125mV
VCP1	5V	6.66V	26.04mV
VCP2	5V	6.66V	26.04mV
VDD	3.3V	4.4V	17.18mV
VIN1	600mV	800mV	3.125mV
VIN2	600mV	800mV	3.125mV
THERM1	600mV	800mV	3.125mV

### 5.11.1 Input Attenuators

The VCP1, VCP2, and VDD voltage inputs contain attenuators that are used to bias the nominal voltage to 3/4 of full scale on the ADC. The total impedance on these attenuators is typically 300k Ohm and each contains a low pass filter with a cutoff frequency of approximately 140kHz.

The VSET, VIN1, and VIN2 inputs do not have attenuator inputs. Any voltage above the Maximum voltage will result in a full scale reading. The VIN1 pin has an input filter with a cutoff frequency of approximately 140kHz.

### 5.11.2 VCPx as Thermistor Input

As shown in [Figure 5.1, "System Diagram for EMC4002"](#), both VCPx input channels can be configured with an external thermistor to provide an inexpensive temperature monitor. A thermistor is a two-terminal resistor-style element that has a roughly linear relationship between its impedance and its temperature over a limited temperature range. Care should be taken such that the impedance of the external resistor divider is not influenced by the input resistance of the voltage attenuator on this input pin.

There is no special configuration required to read the thermistor. The EMC4002 converts the thermistor voltage to a digital voltage measurement but not to a temperature.

## 5.12 Temperature Monitors

The EMC4002 can monitor the temperature of up to nine (9) externally connected diodes as well as the internal or ambient temperature. Each channel is configured with the following features enabled or disabled based on user settings and system requirements.

### 5.12.1 Resistance Error Correction

The EMC4002 includes active Resistance Error Correction to remove the effect of up to 100 ohms of series resistance. Without this automatic feature, voltage developed across the parasitic resistance in the remote diode path causes the temperature to read higher than the true temperature is. The error induced by parasitic resistance is approximately +0.7°C per ohm. Sources of parasitic resistance include bulk resistance in the remote temperature transistor junctions, series resistance in the CPU, and resistance in the printed circuit board traces and package leads. Resistance error correction in the EMC4002 eliminates the need to characterize and compensate for parasitic resistance in the remote diode path.

### 5.12.2 Beta Compensation

The forward current gain, or beta, of a transistor is not constant as emitter currents change. As well, it is not constant over changes in temperature. The variation in beta causes an error in temperature reading that is proportional to absolute temperature. This correction is done by implementing the BJT or transistor model for temperature measurement.

For discrete transistors configured with the collector and base shorted together, the beta is generally sufficiently high such that the percent change in beta variation is very small. For example, a 10% variation in beta for two forced emitter currents with a transistor whose ideal beta is 50 would contribute approximately 0.25°C error at 100°C. However for substrate transistors where the base-emitter junction is used for temperature measurement and the collector is tied to the substrate, the proportional beta variation will cause large error. For example, a 10% variation in beta for two forced emitter currents with a transistor whose ideal beta is 0.5 would contribute approximately 8.25°C error at 100°C.

The Beta Compensation circuitry in the EMC4002 corrects for this beta variation to eliminate any error which would normally be induced. It automatically detects the appropriate beta setting to use.

## 5.13 Anti-Parallel Diode Support

Five of the external diode channels have alternate functions. External Diodes 3, 4 and 5 can be configured as Anti-Parallel Diodes, where the temperature of 2 diode-connected transistors can be read on a single DP/DN pair.

When enabled, the anti-parallel diode channels do not support CPU or GPU diodes that require the BJT or transistor models.

## 5.14 ADC/Thermistor Support on External Diode Lines

The External Diode 1 channel normally monitors a 2N3904 diode in the CPU well. The measured temperature is compared against the ThermTrip Temperature threshold determined by the  $V_{SET}$  voltage and SYS\_SHDN# is asserted if it exceeds the set point.

To allow a longer trace run to the CPU well, the EMC4002 can also use a thermistor as the critical shutdown thermal sensor. This mode is selected by populating the correct pull-up resistor on the ADDR\_MODE/XEN pin (see [Table 4.1, "SMBus Address and Mode Selection"](#)). The thermal sensor circuit options are illustrated in [Figure 5.6, "Configurable Thermal Diode Channels"](#). The resistor/thermistor divider voltage is driven out on DP1 when a measurement is made, and the voltage measurement is made on DN1. This reading can be capacitively filtered with a 0.1uF cap and is inherently averaged by the delta-sigma ADC so the results are very noise immune.

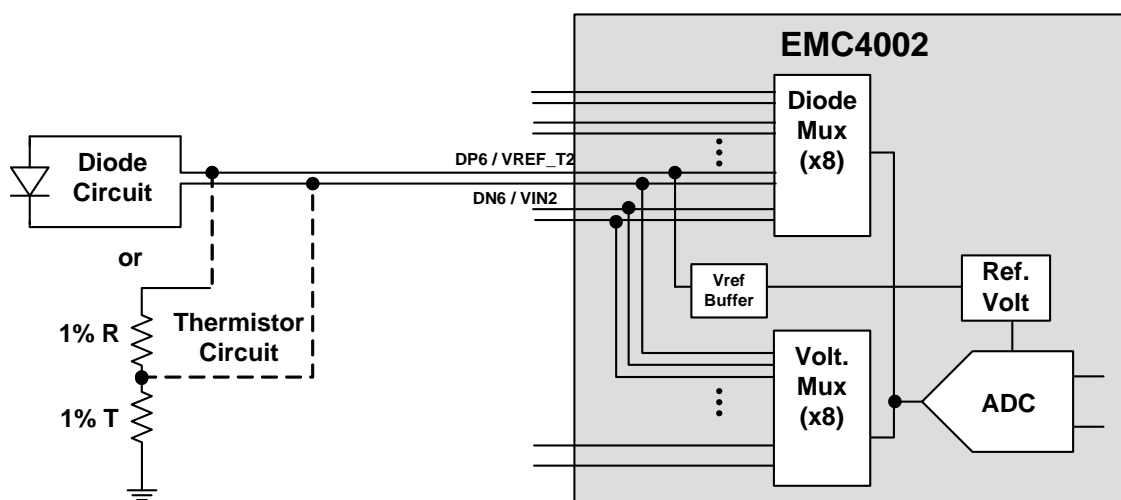
Additionally, the data measured on the DN1 / THERM pin will be automatically inverted (subtracted from FFh) prior to being loaded into the data registers.

The External Diode 6 channel can also be configured to measure a thermistor or generic voltage input. When the External Diode 1 and 6 channels are configured to measure a Thermistor voltage, the data can be inverted (subtracted from FFh) or not inverted based on user settings.

**APPLICATION NOTE:** When changing between measuring a diode and a thermistor the limit settings may cause invalid interrupts. It is recommended that the channels be disabled until the limits are properly configured.

**APPLICATION NOTE:** When configured to measure a thermistor on the External Diode 1 channel (see [Appendix A](#)), it is the users responsibility to set the VSET voltage to an appropriate level to emulate the desired threshold temperature. The EMC4002 will perform no calculations to translate the VSET voltage to an equivalent thermistor voltage. Additionally, high and low limits comparisons are not changed so the user should set the limits to appropriate values.

Thermistor and voltage monitoring configurations are illustrated in [Figure 5.6, "Configurable Thermal Diode Channels"](#)



**Figure 5.6 Configurable Thermal Diode Channels**

This thermistor implementation eliminates three components used for calibration (N-FET, Resistor, GPIO) as well as software calibration overhead. The thermistor interface can be used for long trace runs in noisy environments. Accuracy of 2°C max. can be obtained using the components indicated in [Figure 5.6](#).

**Note:** The Thermistor mode does not convert the ADC codes to temperature readings. Thermistor linearization, or a look up table, needs to be done in the EC if actual temperature values are required. See [Appendix A "Thermistors"](#).

## 5.15 Diode Connections

The external diode channels supports any diode connection shown below. The External Diode 2 - 6 channel settings can be modified at any time, however the External Diode 1 settings are fixed at power up based on the pull-up resistor setting of the ADDR\_MODE / XEN pin as shown in [Table 4.1, "SMBus Address and Mode Selection"](#).



Data Sheet

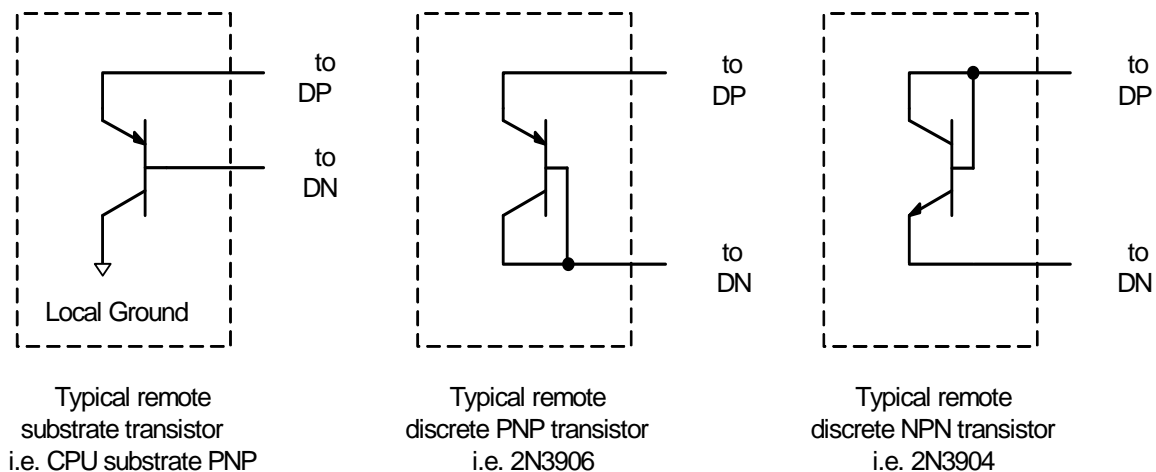


Figure 5.7 Diode Connections

### 5.15.1 Anti-Parallel Diode Capability

The EMC4002 has another unique technology available to allow 2 thermal diodes to share a single DP/DN temperature sensing pair. The “Anti-Parallel” circuit drives measurement currents alternately in opposite directions to measure first one, then the other diode. Because the diodes are reverse biased relative to each other, their temperatures can be measured independently. This arrangement can provide a very efficient pin usage. [Figure 5.8, "Anti-Parallel Diode Configuration"](#) illustrates the Anti-Parallel diode configuration.

See Application Note 16.4 “Using Anti-Parallel Diode (APD) with SMSC Temperature Sensors” for more information on using the Anti-Parallel Diode technology.

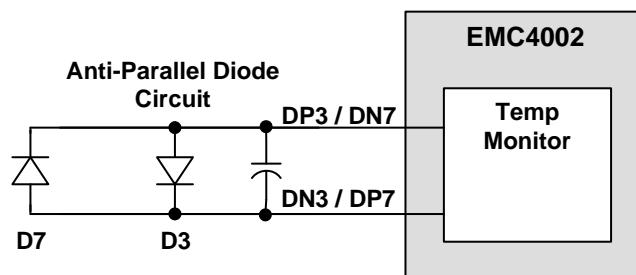


Figure 5.8 Anti-Parallel Diode Configuration

**Note 5.1** This technique must not be used for CPU and GPU thermal diodes that require the BJT or transistor models

**Note 5.2** It is recommended that the PCB layout includes capacitor footprints near the EMC4002 and near each thermal diode. The capacitors near the thermal diodes are normally not placed.

### 5.15.2 Diode Faults

The EMC4002 actively detects an open and short condition on each measurement channel. When a diode fault is detected, the temperature data MSByte is forced to a value of 80h and the FAULT bit is set in the Status Register. When the External Diode 3 channel is configured to operate in APD mode, the circuitry will detect independent open fault conditions, however a short condition will be shared between the External Diode 3 and External Diode 7 channels.

## 5.16 Voltage Programmable Fail-Safe Temperature Monitor

The Voltage Programmable Fail-Safe Temperature monitor provides thermal fail-safe detection without software intervention or programming. The voltage determined on the VSET input determines the logic threshold for the temperature measured by External Diode 1. Additionally, the output of the Voltage Programmable Fail-Safe Temperature Monitor provides a software independent interrupt and can be optionally configured to provide an SMBus Alert.

The Voltage Programmable Fail-Safe Temperature Monitor operates off of the VDD power supply.

### 5.16.1 VSET Pin

The EMC4002's VSET pin is an input to the ThermTrip block which sets the ThermTrip shutdown temperature. The system designer creates a voltage level at these input through a simple resistor connected to GND as shown in [Figure 5.9, "Vset Circuit"](#). The value of this resistor is used to create an input voltage on the TRIP\_SET pin which is translated into a temperature ranging from 60°C to 123°C as enumerated in [Table 5.6, "VSET Resistor Setting"](#).

**APPLICATION NOTE:** VSET is designed to operate using a 1% resistor. If a 5% resistor is used, then the decoded temperature may have as much as 1C error.

**APPLICATION NOTE:** Note that an open condition on the VSET pin will be decoded as a minimum temperature threshold level.

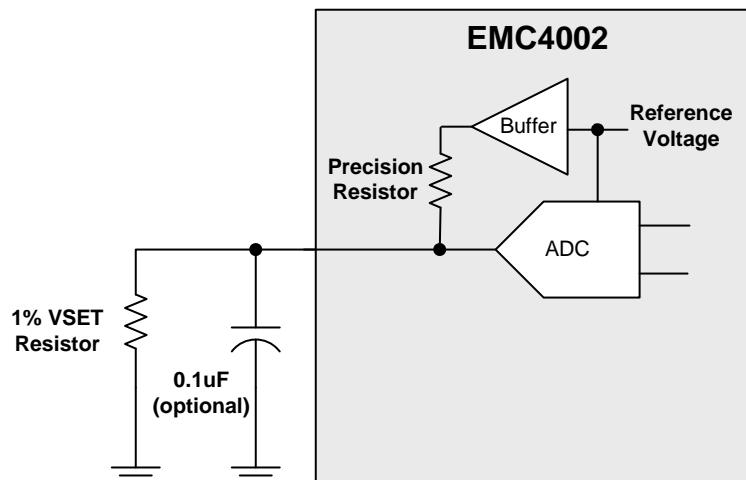


Figure 5.9 Vset Circuit

## Data Sheet

Table 5.6 VSET Resistor Setting

T <sub>TRIP</sub> (°C)	RSET	T <sub>TRIP</sub> (°C)	RSET
60	0.0	92	1240.0
61	28.7	93	1330.0
62	48.7	94	1400.0
63	69.8	95	1500.0
64	90.9	96	1580.0
65	113.0	97	1690.0
66	137.0	98	1820.0
67	158.0	99	1960.0
68	182.0	100	2050.0
69	210.0	101	2210.0
70	237.0	102	2370.0
71	261.0	103	2550.0
72	294.0	104	2740.0
73	324.0	105	2940.0
74	348.0	106	3160.0
75	383.0	107	3480.0
76	412.0	108	3740.0
77	453.0	109	4120.0
78	487.0	110	4530.0
79	523.0	111	4990.0
80	562.0	112	5490.0
81	604.0	113	6040.0
82	649.0	114	6810.0
83	698.0	115	7870.0
84	750.0	116	9090.0
85	787.0	117	10700.0
86	845.0	118	12700.0
87	909.0	119	15800.0
88	953.0	120	20500.0
89	1020.0	121	29400.0
90	1100.0	122	49900.0
91	1150.0	60	Open

### 5.16.2 Internal POWER\_OK Signal

The internal POWER\_OK signal is set to a logic '1' when the 3V\_PWROK# signal is asserted low (external pin) and the VDD\_PWRGD signal is asserted high (external pin). If either pin changes state, the POWER\_OK signal will be set to a logic '0'.

When the POWER\_OK signal is set to a logical '0', the ADC conversions will stop and the conversion cycle logic will reset. If the LPM bit is set, then the ADC conversions will continue to function normally. The inverted POWER\_OK signal, INV\_POWER\_OK, is used to enable the ThermTrip logic block (see [Section 5.17, "ThermTrip Logic Integration"](#)).

### 5.16.3 Internal HW\_FAILSAFE# Signal

The HW\_FAILSAFE# output from the Voltage Programmable Fail-Safe Temperature Monitor is a logical indicator of the temperature state of External Diode 1. HW\_FAILSAFE# is an internal signal routed as an input to the ThermTrip logic.

Note that HW\_FAILSAFE# is not available as an external pin, but when HW\_FAILSAFE# is asserted, the HWFS bit in the FailSafe Status register is asserted.

The HW\_FAILSAFE# output is set to logic '0' when the External Diode 1 temperature exceeds the temperature threshold ( $T_P$ ) established by the VSET input pin (as shown in [Figure 5.10, "Example #1 of HW\\_FAILSAFE# Operation"](#)). The HW\_FAILSAFE# output is also asserted when the External Diode 1 temperature exceeds  $T_P$  minus 10°C during the first valid conversion cycle after POWER\_OK is asserted (as shown in [Figure 5.11, "Example #2 of HW\\_FAILSAFE# Operation"](#)).

Under normal operating conditions when the EMC4002 HW\_FAILSAFE# output is asserted, the power supplies that affect POWER\_OK are de-asserted, however the POWER\_OK signal is not directly related to the status of the HW\_FAILSAFE# signal.

The HW\_FAILSAFE# output remains at a logic '1' level when the External Diode 1 temperature is less than  $T_P$  minus 10°C during the first valid conversion cycle after POWER\_OK is asserted. Likewise, if the HW\_FAILSAFE# output is asserted and the temperature drops below  $T_P$  then it will be set to a logic '1' state.

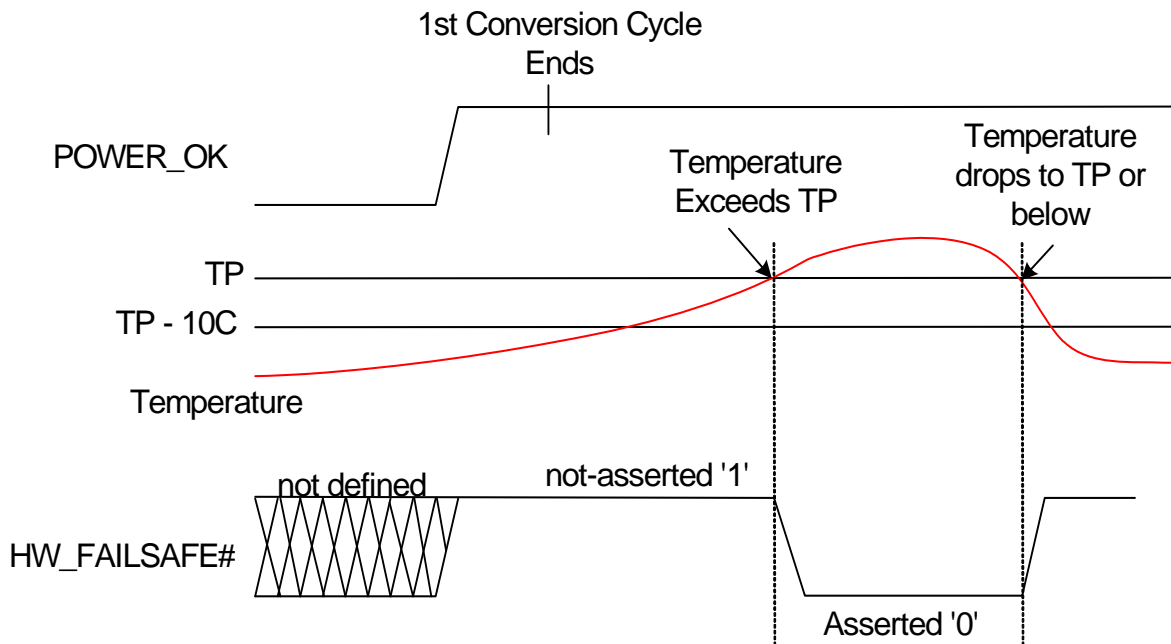


Figure 5.10 Example #1 of HW\_FAILSAFE# Operation

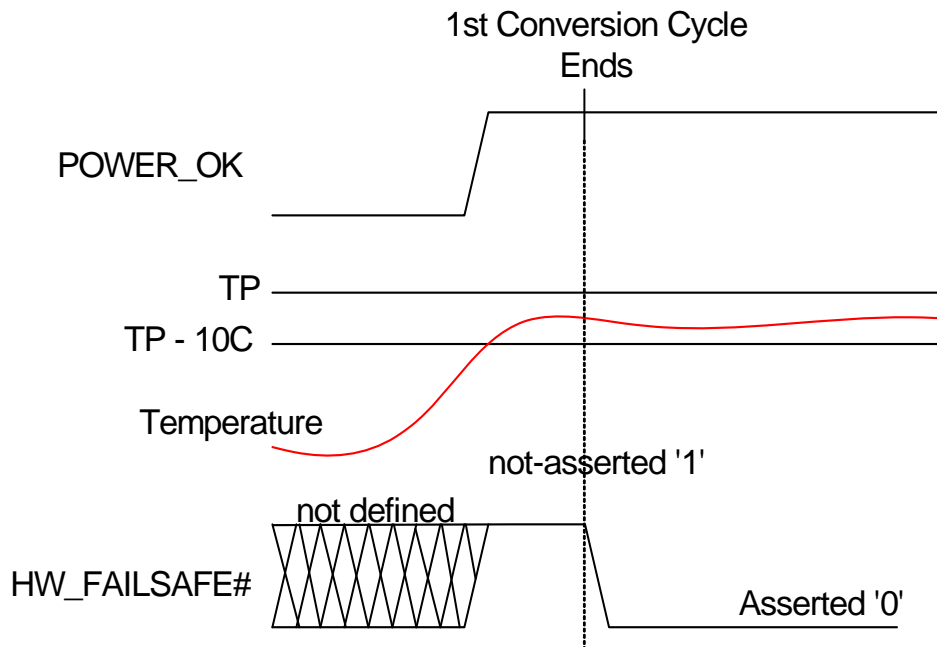


Figure 5.11 Example #2 of HW\_FAILSAFE# Operation

## 5.17 ThermTrip Logic Integration

The EMC4002 includes the same ThermTrip logic integration that was used in the EMC4001 and EMC4000 devices. This logical integration uses the HW\_FAILSAFE# and INV\_POWER\_OK signals (both internal signals based on the status of additional pins) in addition to the THERMTRIP1#, THERMTRIP2#, THERMTRIP3#, POWER\_SW#, SYS\_SHDN#, THERMTRIP\_SIO, and ACAVAIL\_CLR pins.

The THERMTRIP\_SIO, SYS\_SHDN#, and POWER\_SW# signals are powered by the RTC\_PWR3V supply. In addition, this supply signal powers all of the ThermTrip Logic integration as well an internal status register that indicates which of the inputs caused the outputs to be asserted.

The signal interaction is shown in [Table 5.7, "ThermTrip Logic Functionality"](#).

**Table 5.7 ThermTrip Logic Functionality**

INPUTS				CONTROL SIGNALS			OUTPUTS		DESCRIPTION
THERMTRIP1#	THERMTRIP2#	THERMTRIP3#	HW_FAILSAFE# (INT)	INV_POWER_OK (INT)	POWER_SW#	ACAVAIL_CLR	THERMTRIP_SIO	SYS_SHDN#	
X	X	X	X	1	1	0	no change	no change	Power is not supplied. ThermTrip Inputs and HW_FAILSAFE# are ignored and outputs remain unchanged
1	1	1	1	0	1	0	no change	no change	Power is supplied, but the Inputs are de-asserted. The outputs latch so that they do not change state.
0	X	X	X	0	1	0	1	0	Power is supplied. Any of the inputs asserting to '0' causes the outputs to be asserted.
X	0	X	X						
X	X	0	X						
X	X	X	0						
X	X	X	X	X	1 -> 0	X	0	1	The POWER_SW# and ACAVAIL_CLR pins acts as a reset for the logic block - both pins generate a short duration pulse when asserted so that holding either pin in the asserted state ('0' for POWER_SW# or '1' for ACAVAIL_CLR) will not permanently disable the ThermTrip logic block.
X	X	X	X	X	X	0 -> 1			

## Data Sheet

**5.17.1 POWER\_SW# Pin**

The POWER\_SW# pin is used in the ThermTrip logic integration as a reset input for the circuitry. In order to prevent a device from holding the POWER\_SW# low and effectively holding the ThermTrip logic inactive, the POWER\_SW# pin has some special logic added to it that generates a short duration (~1 clock pulse) reset pulse that is triggered on the falling edge of the POWER\_SW# pin.

**5.17.2 ACAVAIL\_CLR Pin**

The ACAVAIL\_CLR pin, like the POWER\_SW# pin, is used by the ThermTrip logic integration as a reset input for the circuitry. In order to prevent a device from holding the ACAVAIL\_CLR pin high and effectively holding the ThermTrip logic inactive, the ACAVAIL\_CLR pin has some special logic added to it that generates a short duration (~1 clock pulse) reset pulse that is triggered on the rising edge of the ACAVAIL\_CLR pin.

**5.18 General Purpose I/Os**

The EMC4002 contains five (5) shared general purpose I/O pins. They can be configured as either input pins or output pins. When they are configured as inputs, each GPIO can be configured to assert the ATF\_INT# pin if its input is changed.

When they are configured as outputs, each GPIO can be configured as an open drain or push-pull style.

All of the GPIO pins are multiplexed with other functions and may not be available depending on the system configuration.

**5.19 Alerts and Limits**

[Figure 5.12, "Temperature Channel Interrupt Flow"](#) and [Figure 5.13, "Other Channel Interrupt Flow"](#) show the interactions of the interrupts for temperature channels, voltage channels, LDO, Fan driver, and GPIO's.

The EMC4002 contains both high and low limits for all temperature channels and both high and low limits for VIN1, VCP1, VCP2, VDD, and VIN2 (muxed with DN6). If the corresponding channel exceeds these limits (by either being too high or too low), then the ATF\_INT# pin will be asserted low (if enabled). If an external diode detects a diode fault then the ATF\_INT# pin will be asserted low (if enabled).

Likewise, if either Dual Voltage Fan Driver detects a short circuit condition, the LDO detects a short circuit condition or de-asserts the LDO\_POK, or a thermal shutdown event occurs, then the ATF\_INT# pin will be asserted low (if enabled).

All of these interrupts can be masked from updating the Status Registers individually or globally. If any bit of either Status register are set, then the ATF\_INT# pin will be asserted low provided that the TEMP (or VOLT) bits and INTEN bit are set accordingly.

The Status register will be updated only if the individual status enable bits are set. Once a status bit has been set, it will remain set until the Status register is read (and the error condition has been removed).

The ATF\_INT# pin will be set if the individual status enable bits are set, the 'group' enable bit is set (TEMP, VOLT, or GPIO) and the INTEN bit is set. If the interrupt pin be asserted, it will be cleared immediately if any of these bits are cleared.

The Voltage Programmable Fail-Safe Temperature Monitor can be masked from asserting the ATF\_INT# pin low, however it will always affect the ThermTrip logic block normally.

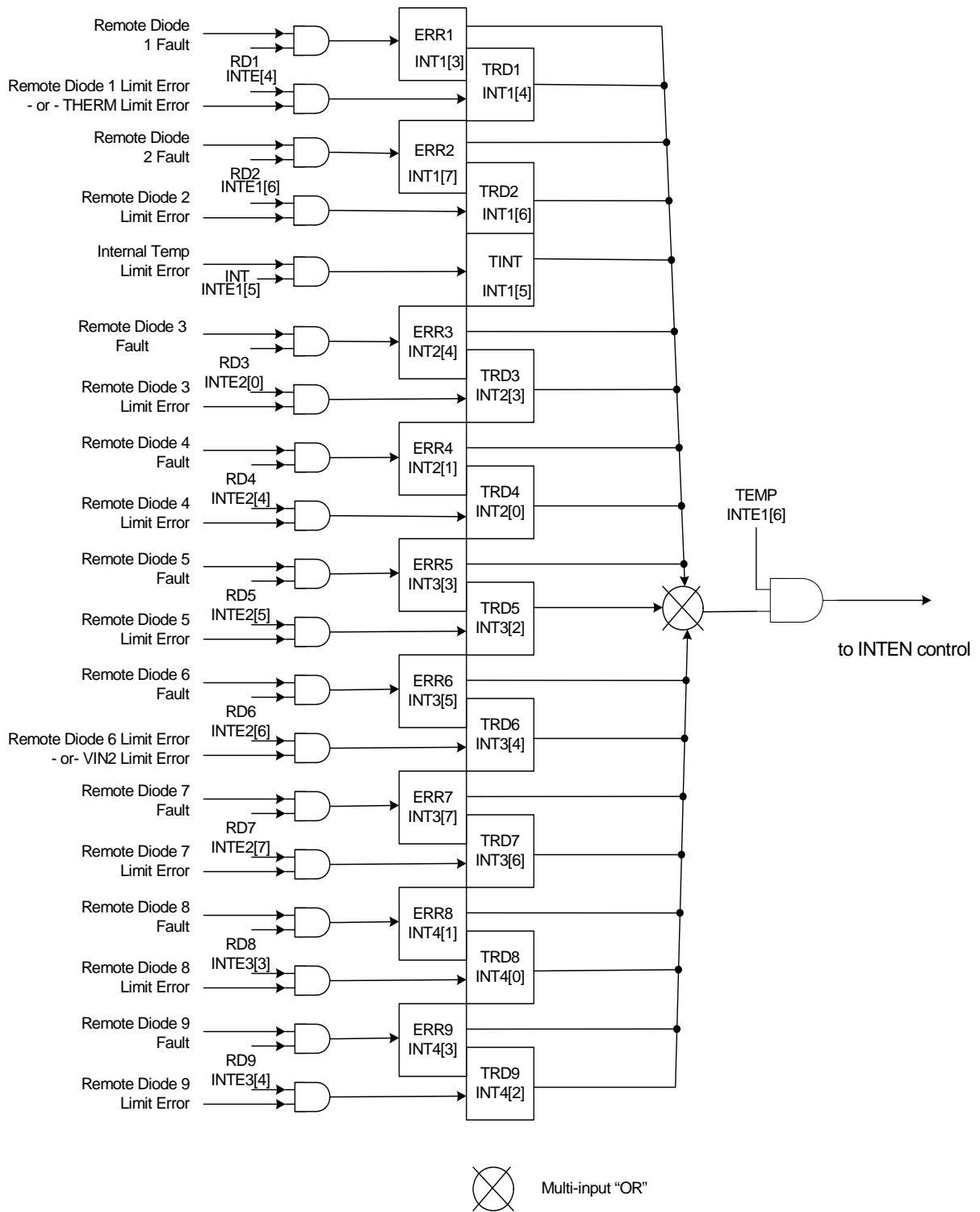


Figure 5.12 Temperature Channel Interrupt Flow



Data Sheet

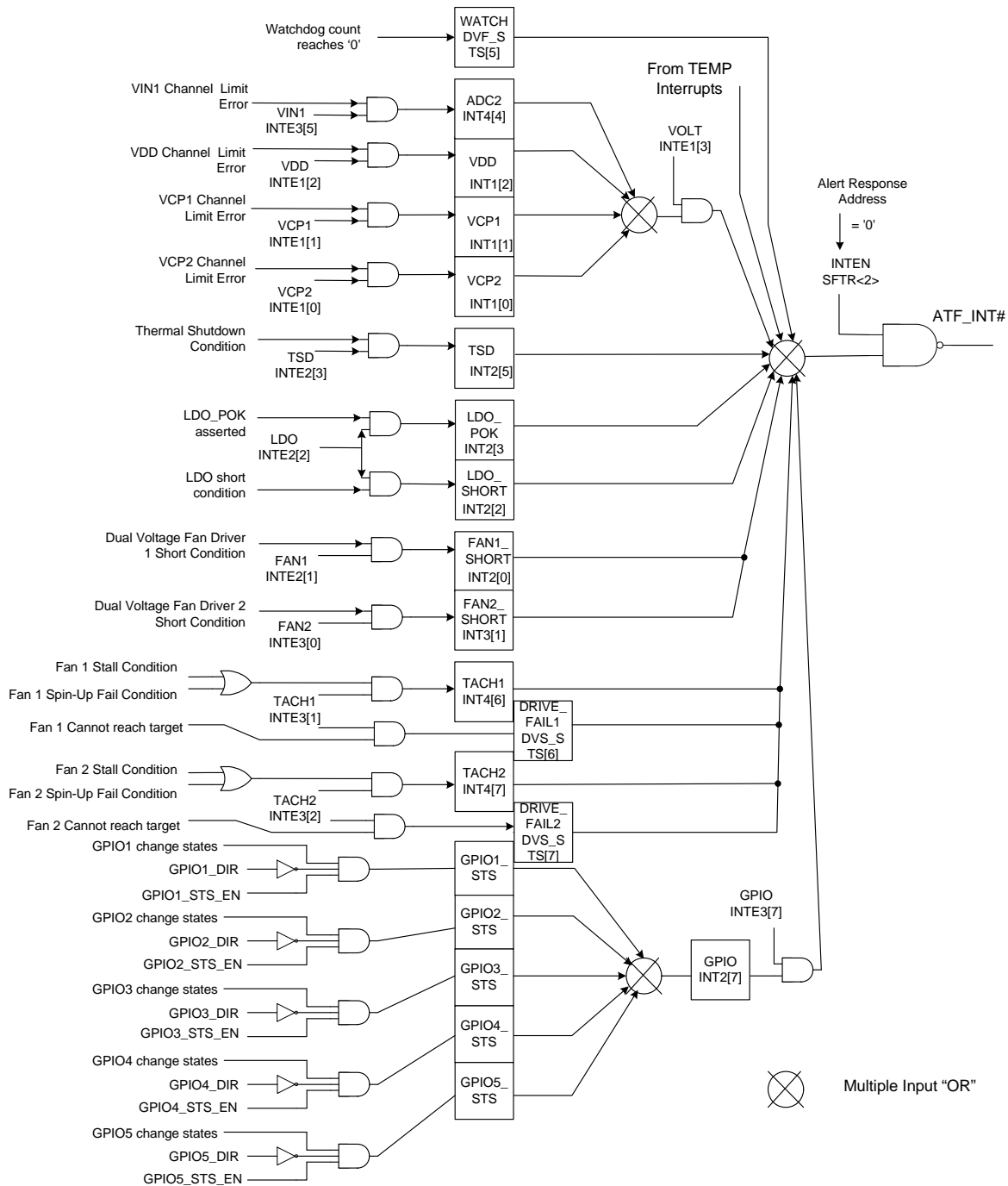


Figure 5.13 Other Channel Interrupt Flow

## 5.20 Multiple Supply Considerations

Because the EMC4002 contains multiple power domains and power supply inputs, there is the potential for power-coupling between them. The device operates off of five power domains: VDD, RTC\_PWR3V, VDDL2 / VDDH2 (LDO), VDDL / VDDH. These power domains interact as shown in Figure 5.14, "Power Supply Domains for EMC4002".

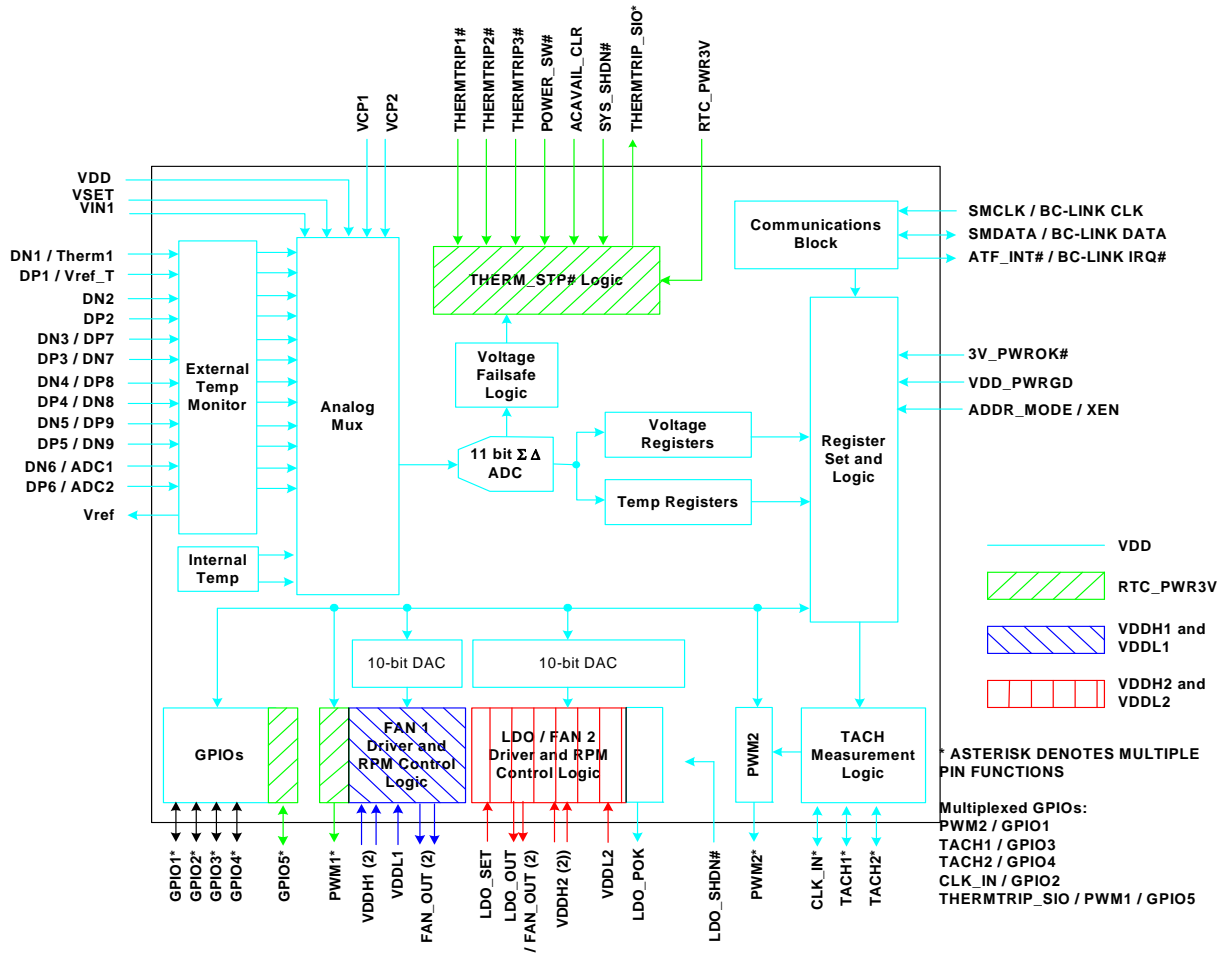


Figure 5.14 Power Supply Domains for EMC4002

The majority of the circuitry functions from the VDD power supply input. It is important to note that the LDO requires the Reference to be operational to function properly. Similarly, the Dual Voltage Fan Driver requires both the Reference and 10-bit DAC to be operational to function properly (both of which are powered from VDD). Therefore, if the VDD power supply is removed from the chip, these features will not operate.

**Data Sheet**

Ideally, all the power supplies will be powered simultaneously. If this is not the case, then the power supply inputs should be powered up in the following order:

1. RTC\_PWR3V
2. VDD
3. VDDH
4. VDDL

The Power-On-Reset (POR) circuitry operates off of the VDD power supply so that, in the event that this supply fails, all digital registers will be reset. The exception to this is the ThermTrip Status register and which is reset only when the CFS in the Special Function Registers is asserted to '1'. The other exception is the ThermTrip Config Register which is reset on the RTC\_PWR3V Power on Reset.

## Chapter 6 Register Set

### 6.1 Register Map

The following registers are accessible through the SMBus Interface.

**Table 6.1 EMC4002 Register Set**

ADDR	R/W	REGISTER NAME	FUNCTION	DEFAULT VALUE	LOCK	PAGE
00h	R	External Diode 1 Temperature Low Byte	Stores fractional data for External Diode 1	00h	No	<a href="#">page 59</a>
01h	R	Internal Temperature Low Byte	Stores fractional data for the Internal Diode (used to measure $T_{DIE}$ )	00h	No	<a href="#">page 59</a>
02h	R	External Diode 2 Temperature Low Byte	Stores the Fractional data for External Diode 2	00h	No	<a href="#">page 59</a>
03h	R	External Diode 3 Temperature Low Byte	Stores the Fractional data for External Diode 3	00h	No	<a href="#">page 59</a>
04h	R	External Diode 4 Temperature Low Byte	Stores the fractional data for External Diode 4	00h	No	<a href="#">page 59</a>
05h	R	External Diode 5 Temperature Low Byte	Stores the fractional data for External Diode 5	00h	No	<a href="#">page 59</a>
06h	R	External Diode 6 Temperature Low Byte	Stores the fractional data for External Diode 6	00h	No	<a href="#">page 59</a>
07h	R	External Diode 7 Temperature Low Byte	Stores the fractional data for External Diode 7	00h	No	<a href="#">page 59</a>
08h	R	External Diode 8 Temperature Low Byte	Stores the fractional data for External Diode 8	00h	No	<a href="#">page 59</a>
09h	R	External Diode 9 Temperature Low Byte	Stores the fractional data for External Diode 9	00h	No	<a href="#">page 59</a>
0Eh	R	VIN 1 Voltage	Stores the voltage Measured on VIN1 channel	FFh	No	<a href="#">page 61</a>
20h	R	GPIO Status	Stores the Status bits of which GPIO changed states	00h	No	<a href="#">page 62</a>
21h	R	VCP1 Voltage Reading	Stores the VCP1 Voltage Monitor data	FFh	No	<a href="#">page 61</a>
22h	R	VDD Voltage Reading	Stores the VDD Voltage Monitor data	FFh	No	<a href="#">page 61</a>
23h	R	VCP2 Voltage Reading	Stores the VCP2 Voltage Monitor data	FFh	No	<a href="#">page 61</a>

## Data Sheet

Table 6.1 EMC4002 Register Set (continued)

ADDR	R/W	REGISTER NAME	FUNCTION	DEFAULT VALUE	LOCK	PAGE
25h	R	External Diode 1 Temp Reading High Byte	Stores the integer data of External Diode 1 or the Thermistor Input if enabled (THERM)	00h	No	<a href="#">page 59</a>
26h	R	Internal Diode Temp Reading High Byte	Stores the integer data of the Internal Diode (used to measure T <sub>DIE</sub> .)	00h	No	<a href="#">page 59</a>
27h	R	External Diode 2 Temp Reading High Byte	Stores the integer data of External Diode 2	00h	No	<a href="#">page 59</a>
28h	R	External Diode 3 Temp Reading High Byte	Stores the Integer data of External Diode 3	00h	No	<a href="#">page 59</a>
29h	R	External Diode 4 Temp Reading High Byte	Stores the Integer data of External Diode 4	00h	No	<a href="#">page 59</a>
2Ah	R	External Diode 5 Temp Reading High Byte	Stores the Integer data of External Diode 5	00h	No	<a href="#">page 59</a>
2Bh	R	External Diode 6 Temp Reading High Byte	Stores the Integer data of External Diode 6 or the VIN2 data if enabled.	00h	No	<a href="#">page 59</a>
2Ch	R	External Diode 7 Temp Reading High Byte	Stores the Integer data of External Diode 7	00h	No	<a href="#">page 59</a>
2Dh	R	External Diode 8 Temp Reading High Byte	Stores the Integer data of External Diode 8	00h	No	<a href="#">page 59</a>
2Eh	R	External Diode 9 Temp Reading High Byte	Stores the Integer data of External Diode 9	00h	No	<a href="#">page 59</a>
Configuration and Control						
2Fh	R/W	Configuration	Controls the temperature channels and power modes	00h	SWL	<a href="#">page 63</a>
30h	R/W	GPIO Config	Configures whether GPIO1 - 5 are enabled	05h	SWL	<a href="#">page 64</a>
31h	R/W	GPIO Direction	Configures the direction of GPIOs 1-5	00h	SWL	<a href="#">page 65</a>
32h	R/W	GPIO Output Config	Configures the output type of GPIOs 1-5	00h	SWL	<a href="#">page 65</a>
33h	R	GPIO Input	Stores the input state of each GPIO	00h	No	<a href="#">page 66</a>
34h	R/W	GPIO Output	Sets the output state of each GPIO output	00h	No	<a href="#">page 66</a>
35h	R/W	GPIO Interrupt Enable	Configures whether each GPIO input flags an interrupt if it changes states	00h	SWL	<a href="#">page 66</a>
36h	R/W	Dual Voltage Fan Config	Configures advanced features of both Dual Voltage Fan Drivers	00h	SWL	<a href="#">page 67</a>
37h	R	Dual Voltage Status	Indicates status of Dual Voltage Fan Driver 1 and 2	00h	No	<a href="#">page 68</a>

Table 6.1 EMC4002 Register Set (continued)

ADDR	R/W	REGISTER NAME	FUNCTION	DEFAULT VALUE	LOCK	PAGE
Ideality and Beta Configuration						
38h	R/W	External Diode 2 Beta Configuration	Configures the beta compensation settings for External Diode 2	10h	SWL	<a href="#">page 69</a>
39h	R/W	External Diode 3 Beta Configuration	Configures the beta compensation settings for External Diode 3	10h	SWL	<a href="#">page 69</a>
3Bh	R/W	External Diode 2 Ideality Configuration	Sets the Ideality Factor that applies to External Diode 2	12h	SWL	<a href="#">page 70</a>
3Ch	R/W	External Diode 3 Ideality Configuration	Sets the Ideality Factor that applies to External Diode 3	12h	SWL	<a href="#">page 70</a>
3Dh	R/W	PWM Configuration	Controls the base PWM frequencies	0Fh	SWL	<a href="#">page 71</a>
Revision Control						
3Eh	R	Company ID	Stores the company ID	5Dh	No	<a href="#">page 72</a>
3Fh	R	Version/Stepping	Stores the revision information	00h	No	<a href="#">page 72</a>
40h	R/W	Lock Start	Enables the software lock functionality and give status of the monitoring functionality.	01h	SWL	<a href="#">page 73</a>
Interrupt Status						
41h	R-C	Interrupt Status Register 1	Stores the status bits for the Internal Diode, External Diode 1, External Diode 2, and Voltage channels	00h	No	<a href="#">page 73</a>
42h	R-C	Interrupt Status Register 2	Stores the status bits for the External Diode 3 channel as well as the LDO, Dual Voltage Fan Driver, Thermal Shutdown, and GPIO inputs	00h	No	<a href="#">page 73</a>
43h	R	ThermTrip Pin State	Stores the pin state of the THERTRIPx# pins, the POWER_SW#, and ACAVAIL_CLR pins	00h	No	<a href="#">page 75</a>
44h	R-C	Interrupt Status Register 3	Stores the status bits for the External Diode 4, through External Diode 7	00h	No	<a href="#">page 73</a>
45h	R-C	Interrupt Status Register 4	Stores the status bits for External Diode 8 and 9, the VIN1 and 2 inputs, and the TACH inputs	00h	No	<a href="#">page 73</a>
Limit Registers						
46h	R/W	VCP1 Low Limit	Low limit for VCP1 Voltage Monitor	00h (0V)	SWL	<a href="#">page 76</a>
47h	R/W	VCP1 High Limit	High limit for VCP1 Voltage Monitor	FFh (6.5V)	SWL	<a href="#">page 76</a>
48h	R/W	VDD Low Limit	Low Limit for VDD Voltage Monitor	00h (0V)	SWL	<a href="#">page 76</a>
49h	R/W	VDD High Limit	High Limit for VDD Voltage Monitor	FFh (4.44V)	SWL	<a href="#">page 76</a>
4Ah	R/W	VCP2 Low Limit	Low limit for VCP2 Voltage Monitor	00h (0V)	SWL	<a href="#">page 76</a>
4Bh	R/W	VCP2 High Limit	High limit for VCP2 Voltage Monitor	FFh (6.5V)	SWL	<a href="#">page 76</a>

## Data Sheet

Table 6.1 EMC4002 Register Set (continued)

ADDR	R/W	REGISTER NAME	FUNCTION	DEFAULT VALUE	LOCK	PAGE
4Ch	R/W	VIN 1 Low Limit	Low Limit for VIN 1 Input Channel	00h (0V)	SWL	<a href="#">page 76</a>
4Dh	R/W	VIN 1 High Limit	High Limit for VIN 1 Input Channel	FFh (800mV)	SWL	<a href="#">page 76</a>
4Eh	R/W	External Diode 1 Temp Low Limit	Low limit for External Diode 1	81h (-127°C)	SWL	<a href="#">page 76</a>
4Fh	R/W	External Diode 1 Temp High Limit	High limit for External Diode 1	7Fh (+127°C)	SWL	<a href="#">page 76</a>
50h	R/W	Internal Temp Low Limit	Low limit for the Internal Diode	81h (-127°C)	SWL	<a href="#">page 76</a>
51h	R/W	Internal Temp High Limit	High limit for the Internal Diode	7Fh (127°C)	SWL	<a href="#">page 76</a>
52h	R/W	External Diode 2 Temp Low Limit	Low limit for External Diode 2	81h (-127°C)	SWL	<a href="#">page 76</a>
53h	R/W	External Diode 2 Temp High Limit	High limit for External Diode 2	46h (+70°C)	SWL	<a href="#">page 76</a>
54h	R/W	External Diode 3 Temp Low Limit	Low limit for External Diode 3	81h (-127°C)	SWL	<a href="#">page 76</a>
55h	R/W	External Diode 3 Temp High Limit	High limit for External Diode3	7Fh (127°C)	SWL	<a href="#">page 76</a>
56h	R/W	External Diode 4 Temp Low Limit	Low limit for External Diode 4	81h (-127°C)	SWL	<a href="#">page 76</a>
57h	R/W	External Diode 4 Temp High Limit	High limit for External Diode 4	7Fh (127°C)	SWL	<a href="#">page 76</a>
58h	R/W	External Diode 5 Temp Low Limit	Low limit for External Diode 5	81h (-127°C)	SWL	<a href="#">page 76</a>
59h	R/W	External Diode 5 Temp High Limit	High limit for External Diode 5	7Fh (127°C)	SWL	<a href="#">page 76</a>
5Ah	R/W	External Diode 6 Temp Low Limit	Low limit for External Diode 6	81h (-127°C)	SWL	<a href="#">page 76</a>
5Bh	R/W	External Diode 6 Temp High Limit	High limit for External Diode 6	7Fh (127°C)	SWL	<a href="#">page 76</a>
5Ch	R/W	External Diode 7 Temp Low Limit	Low limit for External Diode 7	81h (-127°C)	SWL	<a href="#">page 76</a>
5Dh	R/W	External Diode 7 Temp High Limit	High limit for External Diode 7	7Fh (127°C)	SWL	<a href="#">page 76</a>
5Eh	R/W	External Diode 8 Temp Low Limit	Low limit for External Diode 8	81h (-127°C)	SWL	<a href="#">page 76</a>
5Fh	R/W	External Diode 8 Temp High Limit	High limit for External Diode 8	7Fh (127°C)	SWL	<a href="#">page 76</a>
60h	R/W	External Diode 9 Temp Low Limit	Low limit for External Diode 9	81h (-127°C)	SWL	<a href="#">page 76</a>

Table 6.1 EMC4002 Register Set (continued)

ADDR	R/W	REGISTER NAME	FUNCTION	DEFAULT VALUE	LOCK	PAGE
61h	R/W	External Diode 9 Temp High Limit	High limit for External Diode 9	7Fh (127°C)	SWL	<a href="#">page 76</a>
External Diode 4 - 9 Beta Configuration						
64h	R/W	External Diode 4 Beta Configuration	Configures the beta compensation settings for External Diode 4	10h	SWL	<a href="#">page 69</a>
65h	R/W	External Diode 5 Beta Configuration	Configures the beta compensation settings for External Diode 5	10h	SWL	<a href="#">page 69</a>
66h	R/W	External Diode 6 Beta Configuration	Configures the beta compensation settings for External Diode 6	10h	SWL	<a href="#">page 69</a>
70h	R/W	REC Enable Register	Enables REC for all external diode channels	FFh	SWL	<a href="#">page 78</a>
Misc. Registers						
71h	R	VSET Voltage Reading	Stores the VSET Voltage Monitor reading	FFh	No	<a href="#">page 61</a>
72h	R/W	PWM 1 Divide	Sets the final divide ratio for the PWM 1 output (when enabled)	28h (40d)	SWL	<a href="#">page 78</a>
73h	R/W	PWM 2 Divide	Sets the final divide ratio for the PWM 2 output (when enabled)	28h (40d)	SWL	<a href="#">page 78</a>
75h	R	Thermal Trip Temperature	Stores the calculated ThermTrip temperature high limit derived from the voltage on VSET and compared against External Diode 1.	7Fh	No	<a href="#">page 79</a>
76h	R	FailSafe Status	Stores the status bits that indicate which ThermTrip input condition caused the outputs (SYS_SHDN# and THERMTRIP_SIO) to be asserted.	00h	No	<a href="#">page 79</a>
77h	R/W	FailSafe Config	Stores configuration bits that are retained over all power modes	00h	SWL	<a href="#">page 80</a>
7Ah	R	Error Debug Register	Stores the status bits that indicate the type of SMBus Errors	00h	No	<a href="#">page 80</a>
7Ch	R/W	Special Function Register	Controls the global interrupt enable bit and the bit that resets the FailSafe Status register	04h	No	<a href="#">page 81</a>
7Dh	R/W	Interrupt Status Enable 2	Controls whether the LDO, Dual Voltage Fan Driver, Thermal Shutdown, External Diode 3, External Diode 4 - 7 may update the corresponding status registers	00h	SWL	<a href="#">page 81</a>
7Eh	R/W	Interrupt Status Enable 1	Controls whether any voltage channel and any temperature channel may assert an interrupt if set. Also enables whether the Internal Diode, External Diode 1, External Diode 2, or voltage channels may update the corresponding status registers.	C0h	SWL	<a href="#">page 81</a>



## Data Sheet

Table 6.1 EMC4002 Register Set (continued)

ADDR	R/W	REGISTER NAME	FUNCTION	DEFAULT VALUE	LOCK	PAGE
7Fh	R/W	Interrupt Status Enable 3	Controls whether External Diode channels 8 - 9, tachometer measurement circuitry, Fan 2, GPIO, or VIN 1 and 2 channels may update the corresponding status registers (or ATF_INT# pin)	00h	SWL	<a href="#">page 81</a>
Fan 1 Control						
80h	R/W	Fan 1 Setting Low Byte	Always displays the most recent fan driver input setting for Fan 1. If the RPM based Fan Control Algorithm is disabled, allows direct user control of the fan driver.	00h	No	<a href="#">page 83</a>
81h	R/W	Fan 1 Setting High Byte		00h	No	
82h	R/W	Fan 1 Configuration 1	Sets configuration values for the RPM based Fan Control Algorithm for Fan 1	2Bh	No	<a href="#">page 84</a>
83h	R/W	Fan 1 Configuration 2	Sets additional configuration values for the Fan 1 driver	34h	SWL	<a href="#">page 85</a>
84h	R/W	Gain 1	Holds the gain terms used by the RPM based Fan Control Algorithm for Fan 1	2Ah	SWL	<a href="#">page 88</a>
85h	R/W	Fan 1 Spin Up Configuration	Sets the configuration values for Spin Up Routine of the Fan 1 driver	19h	SWL	<a href="#">page 88</a>
86h	R/W	Fan 1 Step	Sets the maximum change per update for Fan 1	10h	SWL	<a href="#">page 90</a>
87h	R/W	Fan 1 Minimum Drive	Sets the minimum drive value for the Fan 1 driver	66h	SWL	<a href="#">page 91</a>
88h	R/W	Fan 1 Valid TACH Count	Holds the minimum tachometer value that indicates the fan is spinning properly	F5h	SWL	<a href="#">page 91</a>
89h	R/W	Fan 1 Drive Fail Band Low Byte	Stores the number of Tach counts used to determine how the actual fan speed must match the target fan speed at full scale drive	00h	SWL	<a href="#">page 92</a>
8Ah	R/W	Fan 1 Drive Fail Band High Byte		00h	SWL	
8Bh	R/W	TACH 1 Target Low Byte	Holds the target tachometer count for Fan 1	F8h	No	<a href="#">page 92</a>
8Ch	R/W	TACH 1 Target High Byte		FFh	No	
8Dh	R	TACH 1 Reading High Byte	Holds the tachometer count for Fan 1	FFh	No	<a href="#">page 93</a>
8Eh	R	TACH 1 Reading Low Byte		F8h	No	
Fan 2 Control						
90h	R/W	Fan 2 Setting Low Byte	Always displays the most recent fan driver input setting for Fan 2. If the RPM based Fan Control Algorithm is disabled, allows direct user control of the fan driver.	00h	No	<a href="#">page 83</a>
91h	R/W	Fan 2 Setting High Byte		00h	No	
92h	R/W	Fan 2 Configuration 1	Sets configuration values for the RPM based Fan Control Algorithm for Fan 2	2Bh	No	<a href="#">page 84</a>

Table 6.1 EMC4002 Register Set (continued)

ADDR	R/W	REGISTER NAME	FUNCTION	DEFAULT VALUE	LOCK	PAGE
93h	R/W	Fan 2 Configuration 2	Sets additional configuration values for the Fan 2 driver	34h	SWL	<a href="#">page 85</a>
94h	R/W	Gain 2	Holds the gain terms used by the RPM based Fan Control Algorithm for Fan 2	2Ah	SWL	<a href="#">page 88</a>
95h	R/W	Fan 2 Spin Up Configuration	Sets the configuration values for Spin Up Routine of the Fan 2 driver	19h	SWL	<a href="#">page 88</a>
96h	R/W	Fan 2 Step	Sets the maximum change per update for Fan 2	10h	SWL	<a href="#">page 90</a>
97h	R/W	Fan 2 Minimum Drive	Sets the minimum drive value for the Fan 2 driver	66h	SWL	<a href="#">page 91</a>
98h	R/W	Fan 2 Valid TACH Count	Holds the minimum tachometer value that indicates the fan is spinning properly	F5h	SWL	<a href="#">page 91</a>
99h	R/W	Fan 1 Drive Fail Band Low Byte	Stores the number of Tach counts used to determine how the actual fan speed must match the target fan speed at full scale drive	00h	SWL	<a href="#">page 92</a>
9Ah	R/W	Fan 1 Drive Fail Band High Byte		00h	SWL	
9Bh	R/W	TACH 2 Target Low Byte	Holds the target tachometer count for Fan 2	F8h	No	<a href="#">page 92</a>
9Ch	R/W	TACH 2 Target High Byte		FFh	No	
9Dh	R	TACH 2 Reading High Byte	Holds the tachometer count for Fan 2	FFh	No	<a href="#">page 93</a>
9Eh	R	TACH 2 Reading Low Byte		F8h	No	
FDh	R	Product ID	Stores the unique Product ID	13h	No	<a href="#">page 94</a>

During Power-On-Reset (POR), the default values are stored in the registers. A POR is initiated when power is first applied to the part and the voltage on the VDD supply surpasses the POR level as specified in the electrical characteristics. Any reads to undefined registers will return 00h. Writes to undefined registers will not have an effect.

### 6.1.1 Lock Entries

The Lock Column describes the locking mechanism, if any, used for individual registers. All SWL registers are Software Locked and therefore made read-only when the LOCK bit is set in the RLS Register (40h).

## 6.2 Data Read Interlock

The data read interlock mechanism used on all temperature data, voltage data, tach reading, and PWM setting registers works as follows. When the High byte is read, the corresponding low byte is copied into internal 'shadow' registers. The user is free to read the low byte at any time and be guaranteed that it will correspond to the previously read high byte. Regardless if the low byte is read or not, reading from a specific channel high byte will automatically refresh this stored low byte data.

When writing to the tach and PWM setting registers (such as PWM setting, Min PWM Setting, Valid TACH Count, TACH Target), writing to the high byte register will cause the data to be accepted. For

**Data Sheet**

these registers, if the full resolution is to be used, the low byte should be loaded prior to the high byte being written.

**6.2.1 Programming the Limit Registers**

The Limit and configuration registers can be updated at any time before the SWL bit is asserted (LOCK bit in RLS register 40h). To avoid erroneous alerts during this process, the following steps are recommended.

1. Disable interrupts - write a '0' to the INTEN bit in the Special Function Register (INTEN bit, register 7Ch).
2. Clear Status bits - read all Status registers to clear any errant bits.
3. Clear all Status Interrupt Enable bits.
4. Load Limit and/or configuration values into appropriate registers.
5. Enable interrupts - write a '1' to the INTEN bit and enable all desired interrupt channels in the Interrupt Enable registers (7Dh, 7Eh, 7Fh).

**6.3 Temperature Data Registers****Table 6.2 Temperature Data Registers**

ADDR	REGISTER	B7	B6	B5	B4	B3	B2	B1	B0	LOCK	DEFAULT
25h	External Diode 1 High Byte	Sign	64	32	16	8	4	2	1	No	00h
	Thermistor Data (when enabled)	128	64	32	16	8	4	2	1	No	00h
00h	External Diode 1 Low Byte	0.5	0.25	0.125	-	-	-	-	-	No	00h
26h	Internal Temp High Byte	Sign	64	32	16	8	4	2	1	No	00h
01h	Internal Temp Low Byte	0.5	-	-	-	-	-	-	-	No	00h
27h	External Diode 2 High Byte	Sign	64	32	16	8	4	2	1	No	00h
02h	External Diode 2 Low Byte	0.5	0.25	0.125	-	-	-	-	-	No	00h
28h	External Diode 3 High Byte	Sign	64	32	16	8	4	2	1	No	00h
03h	External Diode 3 Low Byte	0.5	0.25	0.125	-	-	-	-	-	No	00h

Table 6.2 Temperature Data Registers (continued)

ADDR	REGISTER	B7	B6	B5	B4	B3	B2	B1	B0	LOCK	DEFAULT
29h	External Diode 4 High Byte	Sign	64	32	16	8	4	2	1	No	00h
04h	External Diode 4 Low Byte	0.5	0.25	0.125	-	-	-	-	-	No	00h
2Ah	External Diode 5 High Byte	Sign	64	32	16	8	4	2	1	No	00h
05h	External Diode 5 Low Byte	0.5	0.25	0.125	-	-	-	-	-	No	00h
2Bh	External Diode 6 High Byte	Sign	64	32	16	8	4	2	1	No	00h
	VIN2 (if enabled)	128	64	32	16	8	4	2	1	No	00h
06h	External Diode 6 Low Byte	0.5	0.25	0.125	-	-	-	-	-	No	00h
2Ch	External Diode 7 High Byte	Sign	64	32	16	8	4	2	1	No	00h
07h	External Diode 7 Low Byte	0.5	0.25	0.125	-	-	-	-	-	No	00h
2Dh	External Diode 8 High Byte	Sign	64	32	16	8	4	2	1	No	00h
08h	External Diode 8 Low Byte	0.5	0.25	0.125	-	-	-	-	-	No	00h
2Eh	External Diode 9 High Byte	Sign	64	32	16	8	4	2	1	No	00h
09h	External Diode 9 Low Byte	0.5	0.25	0.125	-	-	-	-	-	No	00h

As shown in [Table 6.2, "Temperature Data Registers"](#), each temperature monitor has two byte wide data registers. The 11 bit data temperature is stored aligned to the left resulting in the High Byte to contain temperature in 1°C steps and the Low Byte to contain fractions of a degree. The temperature format is shown below. The '-' entries represent bits are not part of the measured data and will be read as a logic '0'.

Table 6.3 Temperature Data Format

TEMPERATURE (°C)	2'S COMPLEMENT FORMAT		2'S COMPLEMENT FORMAT	
	BINARY (11-BIT)	HEX (11-BIT)	BINARY (9-BIT)	HEX (9-BIT)
Diode Fault	1000 0000 000- ----b	80 00h	1000 0000 0--- ----b	80 00h
<= -63.875	1100 0000 001- ----b	C0 20h	1100 0000 0--- ----b	C0 00h
-63	1100 0001 000- ----b	C1 00h	1100 0001 0--- ----b	C1 00h
-1	1111 1111 000- ----b	FF 00h	1111 1111 0--- ----b	FF 00h
0	0000 0000 000- ----b	00 00h	0000 0000 0--- ----b	00 00h
0.125	0000 0000 001- ----b	00 20h	0000 0000 0--- ----b	00 00h
1	0000 0001 000- ----b	01 00h	0000 0001 0--- ----b	01 00h
63	0011 1111 000- ----b	3F 00h	0011 1111 0--- ----b	3F 00h
64	0100 0000 000- ----b	40 00h	0100 0000 0--- ----b	40 00h
65	0100 0001 000- ----b	41 00h	0100 0001 0--- ----b	41 00h
126	0111 1110 000- ----b	7E 00h	0111 1110 0--- ----b	7E 00h
127	0111 1111 000- ----b	7F 00h	0111 1111 0--- ----b	7F 00h
>=127.875	0111 1111 111- ----b (Note 6.1)	7F E0h	0111 1111 1--- ----b (Note 6.1)	7F 80h

**Note 6.1** All temperatures above 127.875°C will be reported as 127.875°C.

If the LDO and/or high side fan drivers are active, then self-heating of the large current drive devices will affect the internal temperature reading. Therefore, it is not recommended that the Internal temperature channel be used to monitor the ambient air temperature.

When the External Diode 1 channel is configured to operate in Thermistor mode, the External Diode 1 High Byte is loaded with the measured voltage of the thermistor circuit instead of temperature data.

When the External Diode 6 channel is configured to operate in voltage mode (i.e. the VIN2 channel is enabled), the External Diode 6 High Byte is loaded with the measured voltage of the DN6 / VIN2 pin instead of temperature data.

## 6.4 Voltage Data Registers

Table 6.4 Voltage Data Registers

ADDR	REGISTER	B7	B6	B5	B4	B3	B2	B1	B0	LOCK	DEFAULT
0Eh	VIN1	7	6	5	4	3	2	1	0	No	FFh
21h	VCP1	7	6	5	4	3	2	1	0	No	FFh
22h	VDD	7	6	5	4	3	2	1	0	No	FFh
23h	VCP2	7	6	5	4	3	2	1	0	No	FFh
71h	VSET	7	6	5	4	3	2	1	0	No	FFh

The voltage data registers hold measured values of the voltage input channels. The resolution of the data is dependent upon which channel is being measured as shown in [Section 5.11, "Voltage Monitors"](#). The data is displayed in a binary form with 00h corresponding to 0V in and FFh corresponding to the an input that is equal to or greater than the maximum voltage.

The channels are configured so that the nominal voltage will equal 3/4 of full scale (high byte = C0h output). See [Table 6.5, "Voltage Data Format Example"](#).

**Table 6.5 Voltage Data Format Example**

INPUT CHANNEL	INPUT VOLTAGE	DATA READING	
		BINARY	HEX
VSET / VIN 1 / VIN 2 / THERM (600mv nominal)	0V	0000 0000b	00h
	600mV	1100 0000b	C0h
	800mV	1111 1111b	FFh
VCP1 / VCP2 (5V nominal)	0V	0000 0000b	00h
	3.3V	0111 1101b	7Dh
	5.0V	1100 0000b	C0h (3/4 full scale)
	6.66V	1111 1111	FFh
VDD (3.3V nominal)	0V	0000 0000b	00h
	2.5V	1010 0010b	A2h
	3.3V	1100 0000b	C0h (3/4 full scale)
	4.4V	1111 1111b	FFh

## 6.5 GPIO Status Register

**Table 6.6 GPIO Status Register**

ADDR	REGISTER	B7	B6	B5	B4	B3	B2	B1	B0	LOCK	DEFAULT
20h	GPIO Status	-	-	-	GPIO5_ STS	GPIO4_ STS	GPIO3_ STS	GPIO2_ STS	GPIO1_ STS	No	00h

The GPIO Status Register reports which GPIO changed states. Each bit is set when the corresponding GPIO input changes states (and is enabled). If the corresponding GPIO is not configured as an input or if the corresponding GPIO interrupt is disabled, then the bit will not change states. Whenever a bit is set in this register, the GPIO status bit (Bit 7 - Interrupt Status 2 Register).

All bits are cleared when the register is read.

## 6.6 Configuration Register

Table 6.7 Configuration Register

ADDR	REGISTER	B7	B6	B5	B4	B3	B2	B1	B0	LOCK	DEFAULT
2Fh	Config	VIN2_ INV	VIN2EN	APD5	APD4	APD3	AVG_ EN	CONV[1:0]		SWL	00h

The Configuration Register controls the basic functionality of the EMC4002. The bits are described below.

Bit 7 - VIN2\_INV - Determines whether the VIN2 channel data is inverted.

- '0' (default) - The VIN2 channel data is not inverted.
- '1' - The VIN2 channel data is inverted. The data presented to the reading registers and compared against the limits is determined as FFh - the measured input voltage.

Bit 6 - VIN2\_EN - Enables the VIN2 channel and the VREF\_T2 reference output.

- '0' (default) - The DN6 / VIN2 and DP6 / VREF\_T2 pins are used for the External Diode 6 channel.
- '1' - The DN6 / VIN2 pin is used as a voltage input (VIN2). The DP6 / VREF\_T2 pin is used as a reference voltage. When enabled, the current flow from the reference voltage is available only when the VIN1 and VIN2 are being actively measured. At all other times, the current will be disabled.

Bit 5 - APD5 - Enables anti-parallel diode technology on the DP5 / DN9 and DN5 / DP9 pins.

- '0' (default) - The anti-parallel diode technology is disabled. The DP5 / DN9 and DN5 / DP9 pins will be used only for the External Diode 5 channel. Any diode type (CPU, GPU, or diode connected transistor) can be connected to these pins.
- '1' - The anti-parallel diode technology is enabled. The DP5 / DN9 and DN5 / DP9 pins will be used for both the External Diode 5 and the External Diode 9 channels. The two diodes are connected in an ant-parallel fashion and only diode-connected transistors are supported for each diode.

Bit 4 - APD4 - Enables anti-parallel diode technology on the DP4 / DN8 and DN4 / DP8 pins.

- '0' (default) - The anti-parallel diode technology is disabled. The DP4 / DN8 and DN4 / DP8 pins will be used only for the External Diode 4 channel. Any diode type (CPU, GPU, or diode connected transistor) can be connected to these pins.
- '1' - The anti-parallel diode technology is enabled. The DP4 / DN8 and DN4 / DP8 pins will be used for both the External Diode 4 and the External Diode 8 channels. The two diodes are connected in an ant-parallel fashion and only diode-connected transistors are supported for each diode.

Bit 3 - APD3 - Enables anti-parallel diode technology on the DP3 / DN7 and DN3 / DP7 pins.

- '0' (default) - The anti-parallel diode technology is disabled. The DP3 / DN7 and DN3 / DP7 pins will be used only for the External Diode 3 channel. Any diode type (CPU, GPU, or diode connected transistor) can be connected to these pins.
- '1' - The anti-parallel diode technology is enabled. The DP3 / DN7 and DN3 / DP7 pins will be used for both the External Diode 3 and the External Diode 7 channels. The two diodes are connected in an ant-parallel fashion and only diode-connected transistors are supported for each diode.

Bit 2 - AVG\_EN - enables software averaging.

- '0' (default) - digital averaging is not enabled
- '1' - digital averaging is enabled and both the External Diode 1 and External Diode 2 temperature channels will be put into four stage running average. The temperature will continue to be updated after every conversion based on the average of the previous four measurement values

Bit 1-0 - CONV<1:0> - determine the temperature conversion rate that is used. The following table shows the temperature conversion rates available.

Table 6.8 Temp Conversion Rate

CONV<1:0>		CONVERSION RATE
0	0	Continuous (approximately 4 Conversions / sec). (default)
0	1	1 conversion / sec
1	0	2 conversions / sec.
1	1	Reserved

## 6.7 GPIO Configuration Register

Table 6.9 GPIO Config Register

ADDR	REGISTER	B7	B6	B5	B4	B3	B2	B1	B0	LOCK	DEFAULT
30h	GPIO Config	-	-	-	-	GPIO5_CFG	GPIO4_CFG	GPIO3_CFG	GPIO2_CFG	SWL	05h

The GPIO Configuration Register controls the pin function of the multi-function GPIO pins.

Bits 3 - GPIO5\_CFG- Determines the pin function of the THERMTRIP\_SIO / PWM1 / GPIO5 pin.

- '0' (default) - The THERMTRIP\_SIO / PWM1 / GPIO5 pin is configured to operate as a THERMTRIP\_SIO output.
- '1' - The THERMTRIP\_SIO / PWM1 / GPIO5 pin is configured to operate as either a PWM or a GPIO as determined by the FAN1 / PWM1 bit in the Fan 1 Configuration 2 register.

Bit 2 - GPIO4\_CFG - Determines the pin function of the TACH2 / GPIO4 pin.

- '0' - The TACH2 / GPIO4 pin is configured to act as a tachometer input for Fan 2.
- '1' (default) - The TACH2 / GPIO4 pin is configured to act as a GPIO. Setting this bit will force the RPM based Fan Control Algorithm for Fan 2 to be disabled (the circuitry requires a tachometer input to function properly).

Bit 1 - GPIO3\_CFG - Determines the pin function of the TACH1 / GPIO3 pin.

- '0' (default) - The TACH1 / GPIO3 pin is configured to act as the tachometer input for Fan 1.
- '1' - the TACH1 / GPIO3 pin is configured to act as a GPIO. Setting this bit will force the RPM based Fan Control Algorithm for Fan 1 to be disabled (the circuitry requires a tachometer input to function properly).

Bit 0 - GPIO2\_CFG - Determines the pin function of the CLK\_IN / GPIO2 pin.

- '0' - The CLK\_IN / GPIO2 pin is configured to act as the external clock input for the tachometer measurement circuitry.
- '1' (default) - The CLK\_IN / GPIO2 pin is configured to act as a GPIO. The tachometer measurement circuitry will use the internal clock at a reduced accuracy.



## 6.8 GPIO Direction Register

Table 6.10 GPIO Config Register 2

ADDR	REGISTER	B7	B6	B5	B4	B3	B2	B1	B0	LOCK	DEFAULT
31h	GPIO Direction	-	-	-	GPIO5_DIR	GPIO4_DIR	GPIO3_DIR	GPIO2_DIR	GPIO1_DIR	SWL	00h

The GPIO Direction Register controls the direction of all GPIOs that are enabled as GPIOs. If a pin is not configured as a GPIO, then the corresponding bit is ignored.

Bit 4 - GPIO5\_DIR - Determines the direction of GPIO5.

- '0' (default) - GPIO5 is configured as an input.
- '1' - GPIO5 is configured as an output.

Bit 3 - GPIO4\_DIR - Determines the direction of GPIO4.

Bit 2 - GPIO3\_DIR - Determines the direction of GPIO3.

Bit 1 - GPIO2\_DIR - Determines the direction of GPIO2.

Bit 0 - GPIO1\_DIR - Determines the direction of GPIO1.

## 6.9 GPIO Output Config Register

Table 6.11 GPIO Config Register 2

ADDR	REGISTER	B7	B6	B5	B4	B3	B2	B1	B0	LOCK	DEFAULT
32h	GPIO Output Config	-	-	-	GPIO5_OT	GPIO4_OT	GPIO3_OT	GPIO2_OT	GPIO1_OT	SWL	00h

The GPIO Direction Register controls the output type of all GPIOs configured as outputs. If a pin is not configured as a GPIO or as an output, then the corresponding bit is ignored.

Bit 4 - GPIO5\_OT - Determines the output type of GPIO5 when configured as an output.

- '0' (default) - GPIO5 is configured as an open-drain output.
- '1' - GPIO5 is configured as a push-pull output.

Bit 3 - GPIO4\_OT - Determines the output type of GPIO4 when configured as an output.

Bit 2 - GPIO3\_OT - Determines the output type of GPIO3 when configured as an output.

Bit 1 - GPIO2\_OT - Determines the output type of GPIO2 when configured as an output.

Bit 0 - GPIO1\_OT - Determines the output type of GPIO1 when configured as an output.

## 6.10 GPIO Data Registers

Table 6.12 GPIO Data Registers

ADDR	REGISTER	B7	B6	B5	B4	B3	B2	B1	B0	LOCK	DEFAULT
33h	GPIO Input Register	-	-	-	GPIO5_IN	GPIO4_IN	GPIO3_IN	GPIO2_IN	GPIO1_IN	No	00h
34h	GPIO Output Register	-	-	-	GPIO5_OUT	GPIO4_OUT	GPIO3_OUT	GPIO2_OUT	GPIO1_OUT	No	00h

The GPIO Data Register holds the input and output data of the GPIO pins. The GPIOx\_IN bits will always reflect what is on the GPIO pin. The GPIOx\_OUT bits are used to program the output level of the pins. GPIO's that are configured as inputs will ignore the value in the GPIOx\_OUT bits. Those that are configured as outputs will reflect the value of the GPIOx\_OUT bits on the next digital clock cycle.

## 6.11 GPIO Interrupt Enable Register

Table 6.13 GPIO Mask Register

ADDR	REGISTER	B7	B6	B5	B4	B3	B2	B1	B0	LOCK	DEFAULT
35h	GPIO Interrupt Enable Register	-	-	-	GPIO5_INT_EN	GPIO4_INT_EN	GPIO3_INT_EN	GPIO2_INT_EN	GPIO1_INT_EN	SWL	00h

The GPIO Interrupt Enable Register determines whether a GPIO channel configured as an input asserts the GPIO\_STS bit when its value changes states. If the GPIO Interrupt is enabled, whenever the GPIO input changes states (from '0' to '1' or from '1' to '0'), it will cause the corresponding GPIO\_STS bit to be set. If the GPIO channels are configured as outputs, the corresponding bits are ignored.

Bit 4 - GPIO5\_INT\_EN - determines whether GPIO 5 will assert the status bit when it changes state.

- '0' (default) - GPIO 5 will not cause an interrupt.
- '1' - whenever GPIO 5 is configured as an input and changes states, it will set the GPIO bit in the status register and trigger an interrupt (assuming that the INTEN bit is set).

Bit 3 - GPIO4\_INT\_EN - determines whether GPIO 4 will assert the status bit when it changes state.

Bit 2 - GPIO3\_INT\_EN - determines whether GPIO 3 will assert the status bit when it changes state.

Bit 1 - GPIO2\_INT\_EN - determines whether GPIO 2 will assert the status bit when it changes state.

Bit 0 - GPIO1\_INT\_EN - determines whether GPIO 1 will assert the status bit when it changes state.

## 6.12 Dual Voltage Fan Configuration Register

**Table 6.14 Dual Voltage Fan Configuration Register**

ADDR	REGISTER	B7	B6	B5	B4	B3	B2	B1	B0	LOCK	DEFAULT
36h	DVF Config	-	-	FAN_RATING2	5V_EN2	3V_EN2	FAN_RATING1	5V_EN1	3V_EN1	SWL	00h

The Dual Voltage Fan Configuration Register controls advanced functionality of the Dual Voltage Fan Driver. These bits are ignored if the Fan Driver is configured as a PWM. Likewise, the FAN\_RATING2, 5V\_EN2, and 3V\_EN2 bits are ignored if the Dual Voltage Fan Driver 2 circuitry is configured to operate as an LDO.

Bit 5 - FAN\_RATING2 - sets the expected maximum current to be delivered to the FAN 2.

- '0' (default) - the maximum current expected for Fan 2 is less than 300mA.
- '1' - the maximum current expected for Fan 2 is greater than 300mA.

**APPLICATION NOTE:** The FAN\_RATING bits adjust the trip point on the FAN\_OUT pins only when in normal operation mode (as shown in [Table 6.15](#)). If using a high current fan (300-600mA) then set this bit to '1'.

Bit 4 - 5V\_EN2 - along with 3V\_EN configures which of the Dual Voltage pass devices are active as shown in [Table 6.15](#).

Bit 3 - 3V\_EN2 - along with 5V\_EN configures which of the Dual Voltage pass devices are active as shown in [Table 6.15](#).

Bit 2 - FAN\_RATING1 - sets the expected maximum current to be delivered to the FAN 1.

- '0' (default) - the maximum current expected for Fan 1 is less than 300mA.
- '1' - the maximum current expected for Fan1 is greater than 300mA.

Bit 1 - 5V\_EN1 - along with 3V\_EN configures which of the Dual Voltage pass devices are active as shown in [Table 6.15](#).

Bit 0 - 3V\_EN1 - along with 5V\_EN configures which of the Dual Voltage pass devices are active as shown in [Table 6.15](#).

**Table 6.15 5V\_EN and 3V\_EN Decode**

5V_EN	3V_EN	DUAL VOLTAGE FAN DRIVER FUNCTION
0	0	Normal operation - supply current will be drawn from most efficient supply based on programmed output voltage (default)
1	0	The 5V Pass device will supply all supply current from the VDDH supply
0	1	The 3.3V Pass will supply all supply current from the VDDL supply.
1	1	Normal operation - supply current will be drawn from most efficient supply based on programmed output voltage

**APPLICATION NOTE:** The 3.3V Pass device should only be enabled using the 3V\_EN bit if the fan voltage will never exceed 3.3V and the Fan current will never exceed 300mA.

**APPLICATION NOTE:** If the EMC4002 is configured with the 3.3V Pass device enabled, then the FAN\_RATING bit should be set to maximize power efficiency. Additionally, the Fan Setting Registers will be capped at a value of 3Fh (3/4 full scale).

## 6.13 Dual Voltage Fan Status Register

Table 6.16 Dual Voltage Fan Status Register

ADDR	REGISTER	B7	B6	B5	B4	B3	B2	B1	B0	LOCK	DEFAULT
37h	DVF Status	DRIVE_FAIL2	DRIVE_FAIL1	WATCH	-	POK2	3V_DRIVE2	POK1	3V_DRIVE1	No	00h

The Dual Voltage Fan Status Register indicates the current operating condition of the Dual Voltage Fan Drivers. These status bits are set to '0' if the corresponding Dual Voltage Fan Driver is disabled.

Bit 7 - DRIVE\_FAIL2 - Indicates that the RPM based Fan Speed Control Algorithm cannot drive Fan 2 to the desired target setting at maximum drive. If this bit is set and enabled, then it will cause the ATF\_INT# pin to be asserted. This bit is sticky and will be cleared when read if the error condition has been removed.

- '0' - The RPM based Fan Speed Control Algorithm can drive Fan 2 to the desired target setting.
- '1' - The RPM based Fan Speed Control Algorithm cannot drive Fan 2 to the desired target setting at maximum drive.

Bit 6 - DRIVE\_FAIL1 - Indicates that the RPM based Fan Speed Control Algorithm cannot drive Fan 1 to the desired target setting at maximum drive. If this bit is set and enabled, then it will cause the ATF\_INT# pin to be asserted. This bit is sticky and will be cleared when read if the error condition has been removed.

- '0' - The RPM based Fan Speed Control Algorithm can drive Fan 1 to the desired target setting.
- '1' - The RPM based Fan Speed Control Algorithm cannot drive Fan 1 to the desired target setting at maximum drive.

Bit 5 - WATCH - Indicates that the Watchdog Timer has timed out and set the fans on full. If this bit is set, then it will cause the ATF\_INT# pin to be asserted. This bit cannot be masked (though the ATF\_INT# pin can be masked using the INTEN bit). This bit will be cleared when read.

- '0' - The Watchdog Timer has not reached its full count of 6 seconds or has been disabled by writing to any data byte.
- '1' - The Watchdog Timer has reached its full count of 6 seconds and turned both fan drivers on full.

Bit 3 - POK2 - Indicates that the Dual Voltage Fan Driver 2 output voltage matches the programmed output voltage.

- '0' - the Dual Voltage Fan Driver output voltage does not match the programmed output voltage. This bit may be set to '0' because the Fan voltage is ramping to the desired voltage based on a programmed change. Alternately, this bit may be set by a short-circuit condition (which will assert the FAN\_SHORT bit in Interrupt Status Register 2).
- '1' - the Dual Voltage Fan Driver 2 output voltage matches the programmed output voltage.

Bit 2 - 3V\_DRIVE2 - Indicates which of the pass devices in the Dual Voltage Fan Driver 2 is currently active and providing current to the Fan. This bit will be set to '0' if the Dual Voltage Fan Driver 2 is configured as an LDO.

- '0' - the 5V pass device is active and providing current to Fan 2.
- '1' - the 3.3V pass device is active and providing current to Fan 2.

**Data Sheet**

Bit 1 - POK1 - Indicates that the Dual Voltage Fan Driver 1 output voltage matches the programmed output voltage.

- '0' - the Dual Voltage Fan Driver output voltage does not match the programmed output voltage. This bit may be set to '0' because the Fan voltage is ramping to the desired voltage based on a programmed change. Alternately, this bit may be set by a short-circuit condition (which will assert the FAN\_SHORT bit in Interrupt Status Register 2).
- '1' - the Dual Voltage Fan Driver output voltage matches the programmed output voltage.

Bit 0 - 3V\_DRIVE1 - Indicates which of the pass devices in the Dual Voltage Fan Driver 1 is currently active and providing current to the Fan.

- '0' - the 5V pass device is active and providing current to Fan 1.
- '1' - the 3.3V pass device is active and providing current to Fan 1.

## 6.14 Beta Configuration Registers

**Table 6.17 Beta Configuration Registers**

ADDR	REGISTER	B7	B6	B5	B4	B3	B2	B1	B0	LOCK	DEFAULT
38h	External Diode 2 Beta Configuration	-	-	-	AUTO2	BETA2[3:0]				SWL	10h
39h	External Diode 3 Beta Configuration	-	-	-	AUTO3	BETA3[3:0]				SWL	10h
64h	External Diode 4 Beta Configuration	-	-	-	AUTO4	BETA4[3:0]				SWL	10h
65h	External Diode 5 Beta Configuration	-	-	-	AUTO5	BETA5[3:0]				SWL	10h
66h	External Diode 6 Beta Configuration	-	-	-	AUTO6	BETA6[3:0]				SWL	10h

The Beta Configuration Registers hold a value that corresponds to a range of betas that the Beta Correction circuitry can compensate for. The Beta Configuration Registers activate the Beta Compensation circuitry if any value besides '1111' is written.

When the Beta Compensation circuitry is disabled, the diode channels will function with default current levels and will not automatically adjust for beta variation. They will still support the Ideality Configuration and the Resistance Error Correction Features.

Bit 4 - AUTOx - Enables the automatic beta circuitry. This circuitry automatically detects the optimal beta settings to be used for each external diode as it is measured.

- '0' - The automatic beta detection circuitry is disabled. The BETAx[3:0] bits will directly control the beta setting used. Writing to these bits will change the beta setting for the appropriate channel starting with the next conversion.
- '1' (default) - The automatic beta detection circuitry is enabled. The circuitry will automatically select the optimal beta settings for the connected diode. The BETAx[3:0] bits will be updated to reflect the current settings used. Writing to these bits will have no affect on the temperature measurement and the data will not be stored.

Bits 3 - 0 - BETAx[3:0] - These bits represent the current settings of the beta compensation circuitry. when the automatic beta detection circuitry is enabled, they are automatically updated based on the current settings. When the automatic beta detection circuitry is disabled, these bits should be set with a value corresponding to the lowest expected value of beta for the PNP transistor being used as a temperature sensing device. See [Table 6.18](#) for supported beta ranges.

**APPLICATION NOTE:** A diode connected transistor or an NPN transistor should use the '1111b' setting. For most applications, the automatic beta detection circuitry will determine the optimal settings to be used. Only disable the automatic beta detection circuitry if using a known transistor.

**Table 6.18 Beta Compensation Look Up Table**

BETAX[2:0]				MINIMUM BETA
3	2	1	0	
0	0	0	0	0.050
0	0	0	1	0.066
0	0	1	0	0.087
0	0	1	1	0.114
0	1	0	0	0.150
0	1	0	1	0.197
0	1	1	0	0.260
0	1	1	1	0.342
1	0	0	0	0.449
1	0	0	1	0.591
1	0	1	0	0.778
1	0	1	1	1.024
1	1	0	0	1.348
1	1	0	1	1.773
1	1	1	0	2.333
1	1	1	1	Disabled

## 6.15 Ideality Configuration Registers

**Table 6.19 Ideality Configuration Registers**

ADDR	REGISTER	B7	B6	B5	B4	B3	B2	B1	B0	LOCK	DEFAULT
3Bh	External Diode 2 Ideality Configuration	-	-	B5	B4	B3	B2	B1	B0	SWL	12h
3Ch	External Diode 3 Ideality Configuration	-	-	B5	B4	B3	B2	B1	B0	SWL	12h

## Data Sheet

The Ideality Configuration Registers hold a value that is automatically applied to the corresponding external diode channel. This Ideality Configuration corrects offsets and errors caused by external diode ideality factors that do not match the internally calibrated value. The value is 6 bits and allows for adjustment of the ideality factor based on 000000b being equal to 0.9850. Approximate ideality configuration factors are shown in [Table 6.20](#). The shaded entries indicate the default value.

Table 6.20 Ideality Factor Look Up Table

SETTING	FACTOR	SETTING	FACTOR	SETTING	FACTOR
001000	0.9951	011000	1.0159	101000	1.0377
001001	0.9964	011001	1.0173	101001	1.0391
001010	0.9976	011010	1.0186	101010	1.0404
001011	0.9989	011011	1.0199	101011	1.0418
001100	1.0002	011100	1.0213	101100	1.0432
001101	1.0015	011101	1.0226	101101	1.0446
001110	1.0028	011110	1.0240	101110	1.0460
001111	1.0041	011111	1.0253	101111	1.0475
010000	1.0054	100000	1.0267	110000	1.0489
010001	1.0067	100001	1.0280	110001	1.0503
010010	1.0080	100010	1.0294	110010	1.0517
010011	1.0093	100011	1.0308	110011	1.0531
010100	1.0106	100100	1.0321	110100	1.0546
010101	1.0119	100101	1.0335	110101	1.0560
010110	1.0133	100110	1.0349	110110	1.0574
010111	1.0146	100111	1.0363	110111	1.0589

## 6.16 PWM Configuration Register

Table 6.21 PWM Configuration Register

ADDR	REGISTER	B7	B6	B5	B4	B3	B2	B1	B0	LOCK	DEFAULT
3Dh	PWM Configuration	-	-	PWM2_OT	PWM1_OT	PWM2_BASE [1:0]		PWM1_BASE [1:0]		SWL	0Fh

The PWM Configuration Register controls the base PWM frequency range and output options.

Bit 5 - PWM2\_OT - Determines the output type of the PWM2 / GPIO1 pin when configured as a PWM output.

- '0' (default) - the PWM2 / GPIO1 pin is configured as an open drain output when configured as a PWM output
- '1' - the PWM2 / GPIO1 pin is configured as a push-pull output when configured as a PWM output.

Bit 4 - PWM1\_OT - Determines the output type of the THERMTRIP\_SIO / PWM1 / GPIO5 pin when configured as a PWM output.

- '0' (default) - the THERMTRIP\_SIO / PWM1 / GPIO5 pin is configured as an open drain output when configured as a PWM output
- '1' - the THERMTRIP\_SIO / PWM1 / GPIO5 pin is configured as a push-pull output when configured as a PWM output.

Bits 3 - 2 - PWM2\_BASE[1:0] - Determine the frequency range of the PWM 2 fan driver (when enabled) as shown in Table 6.22. Note that at the higher PWM frequencies, the PWM resolution is reduced.

Bits 1 - 0 - PWM1\_BASE[1:0] - Determine the frequency range of the PWM 1 fan driver (when enabled) as shown in Table 6.22. Note that at the higher PWM frequencies, the PWM resolution is reduced.

**Table 6.22 PWMx\_BASE[1:0] Decode**

PWMX_BASE[1:0]		PWM FREQUENCY	RESOLUTION
1	0		
0	0	26kHz	8-bit
0	1	19.5kHz	10-bit
1	0	4,882Hz	10-bit
1	1	2,441Hz (default)	10-bit

## 6.17 Company ID Register

**Table 6.23 Company ID Register**

ADDR	REGISTER	B7	B6	B5	B4	B3	B2	B1	B0	LOCK	DEFAULT
3Eh	Company ID Register	0	1	0	1	1	1	0	1	No	5Dh

The Company ID Register contains the 8 bit company code.

## 6.18 Revision Register (3Fh)

**Table 6.24 Revision Register**

ADDR	REGISTER	B7	B6	B5	B4	B3	B2	B1	B0	LOCK	DEFAULT
3Fh	Revision	0	0	0	0	0	0	0	0	SWL	00h

The Revision Register contains a 8 bit word that identifies the die revision.



## 6.19 Lock Start Register

Table 6.25 Lock Start Register

ADDR	REGISTER	B7	B6	B5	B4	B3	B2	B1	B0	LOCK	DEFAULT
40h	Lock/Start Register	-	-	-	-	-	-	Lock	Start	SWL	01h

The Lock-Start register is included for legacy purposes and controls the Software Locking functionality (see [Section 6.1.1, "Lock Entries"](#)).

Bit 1 - LOCK - this bit acts on all registers that are designated SWL. When this bit is set, the locked registers become read only and cannot be updated.

Bit 0 - START - The START bit is READ ONLY and is automatically set to '1' based on the 3V\_PWROK# pin, VDD\_PWRGD pin, and the LPM bit. If the LPM bit is set, then the START bit will be set regardless of the status of the 3V\_PWROK# and VDD\_PWRGD pins. Conversely, if the LPM bit is not set, then the START bit will only be set to a logic '1' if both the 3V\_PWROK# and the VDD\_PWRGD pins are asserted.

## 6.20 Interrupt Status Registers

Table 6.26 Interrupt Status Registers

ADDR	REGISTER	B7	B6	B5	B4	B3	B2	B1	B0	LOCK	DEFAULT
41h	Interrupt Status Register 1	ERR2	TRD2	TINT	TRD1	ERR1	VDD	VCP1	VCP2	No	00h
42h	Interrupt Status Register 2	GPIO	TSD	ERR3	TRD3	LDO_POK_n	LDO_SHORT	FAN_SHORT2	FAN_SHORT1	No	00h
44h	Interrupt Status Register 3	ERR7	TRD7	ERR6	TRD6	ERR5	TRD5	ERR4	TRD4	No	00h
45h	Interrupt Status Register 4	TACH2	TACH1	-	VIN1	ERR9	TRD9	ERR8	TRD8	No	00h

The Interrupt Status Registers report the operating condition of the EMC4002. Each input bit can be individually enabled or globally disabled. If any of the bits are asserted then the ATF\_INT# pin will be asserted low (assuming that the INTEN bit is set to logic '1'). Reading from the status register clears all status bits if the error conditions is removed. If there are no set status bits, then the ATF\_INT# pin will be released.

### 6.20.1 Interrupt Status Register 1 (41h)

Bit 7 - ERR2 - this bit is asserted '1' if there is a diode fault on External Diode 2.

Bit 6 - TRD2 - this bit is asserted '1' if the External Diode 2 Temperature measurement exceeds the high limit or falls below the low limit.

Bit 5 - TINT - this bit is asserted '1' if the Internal temperature channel exceeds the high limit or falls below the low limit.

**APPLICATION NOTE:** If the LDO or either of the Dual Voltage Fan Driver are active, the die will experience self-heating that will increase the temperature that the Internal diode channel measures. To avoid nuisance interrupts, the Internal Diode channel should not be enabled unless these devices are disabled.

Bit 4 - TRD1 - this bit is asserted '1' if the External Diode 1 Temperature measurement (or the THERM channel measurement if enabled) exceeds the software defined high limit or falls below the software defined low limit. Exceeding the Temperature Programmable Voltage limit does not update the bit unless the temperature also exceeds the software high limit.

Bit 3 - ERR1 - this bit is asserted '1' if there is a diode fault on External Diode 1.

Bit 2 - VDD- this bit is asserted '1' if the VDD voltage exceeds the high limit or drops below the low limit.

Bit 1- VCP1 - this bit is asserted '1' if the VCP1 input voltage exceeds the high limit or drops below the low limit.

Bit 0 -VCP2 - this bit is asserted '1' if the VCP2 input voltage exceeds the high limit or drops below the low limit.

### 6.20.2 Interrupt Status Register 2 (42h)

Bit 7 - GPIO - this bit is asserted '1' if any of the GPIO channels configured as inputs change states (assuming that they are not masked). The GPIO status bit is always cleared upon a read.

Bit 6 - TSD - this bit is asserted '1' if there is a thermal shutdown condition.

Bit 5 - ERR3 - this bit is asserted '1' if there is a diode fault on External Diode 3

42h - Bit 4 - TRD3 - this bit is asserted '1' if the External Diode 3 Temperature measurement exceeds the high limit or falls below the low limit.

Bit 3 - LDO\_POK\_n - this bit reflects the inverse of the LDO\_POK pin - if this bit is asserted '1', then the LDO output is not being regulated.

Bit 2 - LDO\_SHORT - this bit is asserted '1' if the LDO detects a short circuit condition

Bit 1 - FAN\_SHORT2 - This bit is asserted '1' if the Dual Voltage Fan Driver 2 circuit detects a short circuit condition.

Bit 0 - FAN\_SHORT1 - this bit is asserted '1' if the Dual Voltage Fan Driver 1 circuit detects a short circuit condition.

### 6.20.3 Interrupt Status Register 3 (44h)

Bit 7 - ERR7 - This bit is asserted '1' if a diode fault is detected on External Diode 7.

Bit 6 - TRD7 - This bit is asserted '1' if the External Diode 7 Temperature measurement exceeds the high limit or falls below the low limit.

Bit 5 - ERR6 - This bit is asserted '1' if a diode fault is detected on External Diode 6.

Bit 4 - TRD6 - This bit is asserted '1' if the External Diode 6 Temperature measurement (or the VIN2 measurement if enabled) exceeds the high limit or falls below the low limit.

- Bit 3 - ERR5 - this bit is asserted '1' if a diode fault is detected on External Diode 5.

Bit 2 - TRD5 - this bit is asserted '1' if the External Diode 5 Temperature measurement exceeds the high limit or falls below the low limit.

Bit 1 - ERR4 - this bit is asserted '1' if a diode fault is detected on External Diode 4.

## Data Sheet

Bit 0 - TRD4 - this bit is asserted '1' if the External Diode 4 Temperature measurement exceeds the high limit or falls below the low limit.

## 6.20.4 Interrupt Status Register 4 (45h)

Bit 7 - TACH2 - This bit is asserted '1' if the RPM based Fan Control Algorithm for Fan 2 detects a stalled fan condition, the Spin-up Routine does not detect a valid tach signal, or the fan cannot reach the target fan speed at full drive.

Bit 6 - TACH1 - This bit is asserted '1' if the RPM based Fan Control Algorithm for Fan 1 detects a stalled fan condition, the Spin-up Routine does not detect a valid tach signal, or if the fan cannot reach the target fan speed at full drive.

Bit 4 - VIN1 - This bit is asserted '1' if the VIN1 voltage exceeds the high limit or drops below the low limit.

Bit 3 - ERR9 - this bit is asserted '1' if a diode fault is detected on External Diode 9.

Bit 2 - TRD9 - this bit is asserted '1' if the External Diode 9 Temperature measurement exceeds the high limit or falls below the low limit.

Bit 1 - ERR8 - this bit is asserted '1' if a diode fault is detected on External Diode 8.

Bit 0 - TRD8 - this bit is asserted '1' if the External Diode 8 Temperature measurement exceeds the high limit or falls below the low limit.

## 6.21 ThermTrip Pin State Register

Table 6.27 ThermTrip Pin State Register

ADDR	REGISTER	B7	B6	B5	B4	B3	B2	B1	B0	LOCK	DEFAULT
43h	ThermTrip Pin State	DIODE_MD	LDO_FAN	ACAVAIL_CLR	POWER_SW#	THERM TRIP3#	THERM TRIP2#	THERM TRIP1#	3V_PWROK#	No	00h

Bit 7 - DIODE\_MD - Indicates the select function for the External Diode 1 channel based on the ADDR\_MODE pin pull-up resistor.

- '0' - The External Diode 1 channel is measuring a 2N3904 diode connected between the DP1 / VREF\_T and DN1/ THERM pins.
- '1' - The External Diode 1 channel is measuring a thermistor input biased via the DP1 / VREF\_T pin and measured on the DN1 / THERM pin.

Bit 6 - LDO\_FAN - Indicates whether the LDO is active or the 2nd Dual Voltage Fan Driver is active.

- '0' - The LDO is active.
- '1' - The 2nd Dual Voltage Fan Driver is active.

Bit 5 - ACAVAIL\_CLR - reflects the state of the ACAVAIL\_CLR pin.

Bit 4 - POWER\_SW# - reflects the state of the POWER\_SW# pin.

Bit 3 - THERMTRIP3# - reflects the state of the THERMTRIP3# pin.

Bit 2 - THERMTRIP2# - reflects the state of the THERMTRIP2# pin.

Bit 1 - THERMTRIP1# - reflects the state of the THERMTRIP1# pin.

Bit 0 - 3V\_PWROK# - reflects the state of the 3V\_PWROK# pin.

## 6.22 Voltage Limit Registers

Table 6.28 Voltage Limit Registers

ADDR	REGISTER	B7	B6	B5	B4	B3	B2	B1	B0	LOCK	DEFAULT
46h	VCP1 Low Limit	7	6	5	4	3	2	1	0	SWL	00h
47h	VCP1 High Limit	7	6	5	4	3	2	1	0	SWL	FFh
48h	VDD Low Limit	7	6	5	4	3	2	1	0	SWL	00h
49h	VDD High Limit	7	6	5	4	3	2	1	0	SWL	FFh
4Ah	VCP2 Low Limit	7	6	5	4	3	2	1	0	SWL	00h
4Bh	VCP2 High Limit	7	6	5	4	3	2	1	0	SWL	FFh
4Ch	VIN1 Low Limit	7	6	5	4	3	2	1	0	SWL	00h
4Dh	VIN1 High Limit	7	6	5	4	3	2	1	0	SWL	FFh

The EMC4002 contains both high and low voltage limits for the VDD, VCP1, VCP2, and VIN1 voltage inputs. These limits are compared to the appropriate measurement channel after every conversion cycle and whenever the limits are updated. If the high limit is exceeded, or the measured data is below the low limit, then the appropriate Status bit is set.

## 6.23 Temperature Limit Registers

Table 6.29 Temperature Limit Registers

ADDR	REGISTER	B7	B6	B5	B4	B3	B2	B1	B0	LOCK	DEFAULT
4Eh	External Diode 1 Low Limit	Sign	64	32	16	8	4	2	1	SWL	81h (-127°C)
	THERM Low Limit (when enabled)	128	64	32	16	8	4	2	1	SWL	81h (0.4V)
4Fh	External Diode 1 High Limit	Sign	64	32	16	8	4	2	1	SWL	7Fh (+127°C)
	THERM High Limit (when enabled)	128	64	32	16	8	4	2	1	SWL	7Fh (0.4V)
50h	Internal Temp Low Limit	Sign	64	32	16	8	4	2	1	SWL	81h (-127°C)
51h	Internal Temp High Limit	Sign	64	32	16	8	4	2	1	SWL	7Fh (+127°C)
52h	External Diode 2 Low Limit	Sign	64	32	16	8	4	2	1	SWL	81h (-127°C)
53h	External Diode 2 High Limit	Sign	64	32	16	8	4	2	1	SWL	46h (+76°C)

## Data Sheet

Table 6.29 Temperature Limit Registers (continued)

ADDR	REGISTER	B7	B6	B5	B4	B3	B2	B1	B0	LOCK	DEFAULT
54h	External Diode 3 Low Limit	Sign	64	32	16	8	4	2	1	SWL	81h (-127°C)
55h	External Diode 3 High Limit	Sign	64	32	16	8	4	2	1	SWL	7Fh (+127°C)
56h	External Diode 4 Low Limit	Sign	64	32	16	8	4	2	1	SWL	81h (-127°C)
57h	External Diode 4 High Limit	Sign	64	32	16	8	4	2	1	SWL	7Fh (+127°C)
58h	External Diode 5 Low Limit	Sign	64	32	16	8	4	2	1	SWL	81h (-127°C)
59h	External Diode 5 High Limit	Sign	64	32	16	8	4	2	1	SWL	7Fh (+127°C)
5Ah	External Diode 6 Low Limit	Sign	64	32	16	8	4	2	1	SWL	81h (-127°C)
	VIN2 Low Limit	128	64	32	16	8	4	2	1	SWL	81h (0.4V)
5Bh	External Diode 6 High Limit	Sign	64	32	16	8	4	2	1	SWL	7Fh (+127°C)
	VIN2 High Limit	128	64	32	16	8	4	2	1	SWL	7Fh (0.4V)
5Ch	External Diode 7 Low Limit	Sign	64	32	16	8	4	2	1	SWL	81h (-127°C)
5Dh	External Diode 7 High Limit	Sign	64	32	16	8	4	2	1	SWL	7Fh (+127°C)
5Eh	External Diode 8 Low Limit	Sign	64	32	16	8	4	2	1	SWL	81h (-127°C)
5Fh	External Diode 8 High Limit	Sign	64	32	16	8	4	2	1	SWL	7Fh (+127°C)
60h	External Diode 9 Low Limit	Sign	64	32	16	8	4	2	1	SWL	81h (-127°C)
61h	External Diode 9 High Limit	Sign	64	32	16	8	4	2	1	SWL	7Fh (+127°C)

The EMC4002 contains both high and low limits for all temperature channels. The limits are limited to 8 bit values and all comparisons are done with the upper 8 bits of data as appropriate. If any particular temperature channel exceeds the high limit then the appropriate status bit is set. Likewise, if any particular temperature channel drops below the low limit, then the appropriate status bit is set.

The low limits can be used to detect diode fault conditions that are not explicitly detected by circuitry such as a short between DP and DN or a short of DP to ground or a short of DN to VDD. In all of these cases, the ADC will return a high byte value of 80h (diode fault) indicating that the delta  $V_{BE}$  is zero.

If the External Diode 1 or External Diode 6 channels are configured to measure a voltage input, then the corresponding External Diode limit registers are checked at the end of each conversion cycle. The data written in these registers must be of the proper data format or extraneous interrupts may occur.

## 6.24 REC Enable Register

Table 6.30 REC Enable Register

ADDR	REGISTER	B7	B6	B5	B4	B3	B2	B1	B0	LOCK	DEFAULT
70h	REC Enable	EN_REC9	EN_REC8	EN_REC7	EN_REC6	EN_REC5	EN_REC4	EN_REC3	EN_REC2	SWL	FFh

The REC Enable Register enables or disables the Resistance Error Correction circuitry for the corresponding external diode channel.

Bit 7 - EN\_REC9 - Enables the REC circuitry on the External Diode 9 channel (if enabled).

- '0' - The Resistance Error Correction circuitry is disabled for External Diode 9.
- '1' - (default) The Resistance Error Correction circuitry is enabled for External Diode 9.

Bit 6 - EN\_REC8 - Enables the REC circuitry on the External Diode 8 channel (if enabled).

Bit 5 - EN\_REC7 - Enables the REC circuitry on the External Diode 7 channel (if enabled).

Bit 4 - EN\_REC6 - Enables the REC circuitry on the External Diode 6 channel (if enabled).

Bit 3 - EN\_REC5 - Enables the REC circuitry on the External Diode 5 channel.

Bit 2 - EN\_REC4 - Enables the REC circuitry on the External Diode 4 channel.

Bit 1 - EN\_REC3 - Enables the REC circuitry on the External Diode 3 channel.

Bit 0 - EN\_REC2 - Enables the REC circuitry on the External Diode 2 channel.

## 6.25 PWM Divide Registers

Table 6.31 PWM Divide Registers

ADDR	REGISTER	B7	B6	B5	B4	B3	B2	B1	B0	LOCK	DEFAULT
72h	PWM 1 Divide	128	64	32	16	8	4	2	1	SWL	28h (40d)
73h	PWM 2 Divide	128	64	32	16	8	4	2	1	SWL	28h (40d)

The PWM Divide Registers determine the final PWM frequency. The base frequency set by the PWM1\_BASE[1:0] or PWM2\_BASE[1:0] bits is divided by the decimal equivalent of the register settings. The final PWM frequency is given by [Equation \[1\]](#).

$$PWM\_Frequency = \frac{base\_clk}{PWM\_D}$$

Where:

base\_clk = The base frequency set by the PWMx\_CFG[1:0] bits **[1]**

PWM\_D = the divide setting set by the PWMx Divide Registers

## 6.26 ThermTrip Temperature Register

Table 6.32 ThermTrip Temperature Register

ADDR	REGISTER	B7	B6	B5	B4	B3	B2	B1	B0	LOCK	DEFAULT
75h	ThermTrip Temperature	128	64	32	16	8	4	2	1	No	7Fh

The ThermTrip Temperature Register is a read-only register that stores the Voltage Programmable Threshold temperature used in the Voltage Programmable Fail-Safe Temperature Monitor. The contents of the register reflect the calculated temperature based on the VSET voltage. This register is updated at the end of every monitoring cycle based on the current value of VSET. The register value reflects the calculated threshold temperature based on the VSET voltage.

If the External Diode 1 Channel is configured to operate as a thermistor input, then no calculations are done and this register will reflect the current VSET voltage.

## 6.27 Failsafe Status Register

Table 6.33 FailSafe Status Register

ADDR	REGISTER	B7	B6	B5	B4	B3	B2	B1	B0	LOCK	DEFAULT
76h	FailSafe Status	-	-	LDO_FAIL	TSD	TRIP3	TRIP2	TRIP1	HWFS	No	00h

The FailSafe Status Register is a read-only register that indicates which input to the ThermTrip logic block (THERMTRIP3#, THERMTRIP2#, THERMTRIP1#, and HW\_FAILSAFE#) was responsible for causing the SYS\_SHDN# signal to be asserted. This register and the FailSafe Configuration Register are unique in that they are powered from the RTC\_PWR3V pin so that if power is removed from the VDD pin, these registers will not be reset.

In this register, each bit is set to '1' when the corresponding input pin (or signal) is asserted low. Once set, the bits remain set until they are cleared by writing to the CFS bit in the Special Function Register.

This register will not be updated if the 3V\_PWROK# and VDD\_PWRGD pins are not asserted.

Bit 5 - LDO\_FAIL - indicates that the LDO circuit has entered an invalid state. This bit is set any time the LDO\_POK pin is asserted low. This bit will not cause the THERMTRIP\_SIO or SYS\_SHDN# pins to be asserted.

Bit 4 - TSD - indicates that a thermal shutdown event has occurred. This bit will not cause the THERMTRIP\_SIO or SYS\_SHDN# pins to be asserted.

Bit 3 - TRIP3 - indicates that the THERMTRIP3# input has been asserted low.

Bit 2 - TRIP2 - indicates that the THERMTRIP2# input has been asserted low.

Bit 1 - TRIP1 - indicates that the THERMTRIP1# input has been asserted low.

Bit 0 - HWFS - indicates that the internal HW\_FAILSAFE# signal has been asserted low.

## 6.28 FailSafe Configuration Register

Table 6.34 FailSafe Config Register

ADDR	REGISTER	B7	B6	B5	B4	B3	B2	B1	B0	LOCK	DEFAULT
77h	FailSafe Config	-	-	-	-	-	-	DIS_WD	LPM	SWL	00h

The FailSafe Configuration Register stores configuration bits that are retained across all power mode including the RTC Power Mode. This register and the FailSafe Status Register are unique in that they are powered from the RTC\_PWR3V pin so that if power is removed from the VDD pin, these registers will not be reset.

Bit 1 - DIS\_WD - Disables the watchdog timer

- '0' (default) - The Watchdog timer is enabled. Any time that either the 3V\_PWROK# and VDD\_PWRGD are deasserted, the watchdog is reset and ready. When both the 3V\_PWROK# and VDD\_PWRGD are re-asserted, then it will start counting.
- '1' - The Watchdog timer is disabled.

Bit 0 - LPM - Determines whether the EMC4002 is placed into low power mode or sleep mode when either the 3V\_PWROK# or VDD\_PWRGD pins are de-asserted. In both cases, the SYS\_SHDN# and THERMTRIP\_SIO pins (if enabled) will be blocked.

- '0' (default) - The Low Power Mode is not enabled. When the 3V\_PWROK# or VDD\_PWRGD pins are de-asserted, all hardware monitoring will cease and the fan drivers will be disabled. The LDO is controlled separately.
- '1' - The Low Power Mode is enabled. When the 3V\_PWROK# or VDD\_PWRGD pins are de-asserted, the hardware monitoring will continue to function. The fan drivers will still be disabled. The LDO is controlled separately.

## 6.29 Error Debug Register

Table 6.35 Error Debug Register

ADDR	REGISTER	B7	B6	B5	B4	B3	B2	B1	B0	LOCK	DEFAULT
7Ah	Error Debug Register	CRC	ARA	STOP	-	-	-	-	NONAC	No	00h

The Error Debug register is used to indicate the invalid SMBus protocol response that causes the device to abort an SMBus transaction and reset the SMBus protocol.

Bit 7 - CRC - A CRC error was detected when communicating via the BC-Link interface.

Bit 6 - ARA - an error was detected during the SMBus Alert Response Address command.

Bit 5 - STOP - indicates that a pre-mature SMBus Stop condition was detected.

Bit 0 - NONAC - indicates that the host did not generate a NACK bit during a Read Byte or Receive Byte command.



## 6.30 Special Function Register

Table 6.36 Special Function Register

ADDR	REGISTER	B7	B6	B5	B4	B3	B2	B1	B0	LOCK	DEFAULT
7Ch	Special Function Register	RES	RES	RES	-	CFS	INTEN	RES	RES	No	04h

The Special Function Register controls the interrupt pin and ThermTrip Status register.

Bit 7 - Reserved - This bit is always '0'.

Bit 6 - Reserved - This bit is always '0'.

Bit 5 - Reserved - This bit is always '0'.

**APPLICATION NOTE:** The CFS bit requires both the 3V\_PWROK# and VDD\_PWRGD to be asserted before it will clear the Failsafe Status Register. This applies to both Standby and Low Power modes. If the bit is set while the 3V\_PWROK# and / or VDD\_PWRGD pins are de-asserted, it will remain set and clear the Failsafe Status Register when both the 3V\_PWROK# and VDD\_PWRGD signals are asserted.

Bit 3 - CFS - clears the Failsafe Status register. When set to '1', the FailSafe Status register is cleared and reset to default values. This bit is NOT self clearing and must be set to '0' in order for the FailSafe Status register to function correctly.

Bit 2 - INTEN - enables all interrupts to assert the ATF\_INT# pin low. This bit is automatically cleared when the EMC4002 responds to an ARA command. It must be manually reset in order for interrupts to function.

- '0' - all interrupts are disabled and will not cause ATF\_INT# to be asserted low. The status registers will still reflect all interrupt conditions.
- '1' (default) - all interrupts can be individually enabled and disabled.

Bit 1 - Reserved - This bit is always '0'.

Bit 0 - Reserved - This bit is always '0'.

## 6.31 Interrupt Status Enable Registers

Table 6.37 Interrupt Enable Registers

ADDR	REGISTER	B7	B6	B5	B4	B3	B2	B1	B0	LOCK	DEFAULT
7Dh	Interrupt Status Enable Register 2	RD7	RD6	RD5	RD4	TSD	LDO	FAN1	RD3	SWL	00h
7Eh	Interrupt Status Enable Register 1	TEMP	RD2	INT	RD1	VOLT	VDD	VCP1	VCP2	SWL	C0h
7Fh	Interrupt Status Enable Register 3	GPIO	-	VIN1	RD9	RD8	TACH2	TACH1	FAN2	SWL	00h

The Interrupt Status Enable Registers determine which interrupt events will update the status registers. If a condition or channel is not enabled, then any error conditions associated with it will be ignored.

### 6.31.1 Interrupt Status Enable Register 2 (7Dh)

Bit 7 - RD7 - Enables External Diode 7 interrupts including diode faults and out of limit conditions.

Bit 6 - RD6 - Enables External Diode 6 interrupts including diode faults and out of limit conditions. This includes the VIN2 measurement channel if enabled.

Bit 5 - RD5- enables External Diode 5 interrupts including diode faults and out of limit conditions.

Bit 4 - RD4 - enables External Diode 4 interrupts including diode faults and out of limit conditions.

Bit 3 - TSD - enables Thermal Shutdown based interrupts.

Bit 2 - LDO - enables LDO based interrupts including the LDO\_POK and LDO\_SHORT circuit conditions.

Bit 1 - FAN1 - enable Fan controller based interrupts (i.e. FAN\_SHORT) for Fan 1

Bit 0 - RD3 - enables External Diode 3 interrupts including diode faults and out of limit conditions.

### 6.31.2 Interrupt Status Enable Register 1 (7Eh)

Bit 7 - TEMP - enables all Temperature channels globally from affecting the ATF\_INT# pin. The temperature channels are individually enabled/disabled to update the Status register.

- '0' - All temperature channel interrupts will not assert the ATF\_INT# pin though they may still be individually enabled to affect the Status Register.
- '1' (default) - All temperature channel interrupts can be enabled and disabled individually to affect both the status register and the ATF\_INT# pin.

Bit 6 - RD2 - enables External Diode 2 interrupts including diode faults and out of limit conditions.

Bit 5 - INT - enables Internal diode interrupts.

Bit 4 - RD1 - enables External Diode 1 interrupts including diode faults and out of limit conditions. This includes the THERM measurement channel when enabled.

Bit 3 - VOLT - enables all Voltage channels globally from affecting the ATF\_INT# pin. The voltage channels still are individually enabled/disabled to update the Status register.

- '0' - All voltage channel interrupts will not assert the ATF\_INT# pin though they may still be individually enabled to affect the Status Register.
- '1' (default) - All voltage channel interrupts can be enabled and disabled individually to affect both the status register and the ATF\_INT# pin.

Bit 2 - VDD - enables VDD based interrupts.

Bit 1 - VCP1 - enables VCP1 based interrupts.

Bit 0 - VCP2 - enables VCP2 based interrupts.

### 6.31.3 Interrupt Status Enable Register 3 (7Fh)

Bit 7 - GPIO - enables GPIO based interrupts.

Bit 5 - VIN1 - enables VIN1 based interrupts.

Bit 4 - RD9 - enables External Diode 9 interrupts including diode faults and out of limit conditions.

Bit 3 - RD8 - Enables External Diode 8 interrupts including diode faults and out of limit conditions.

**Data Sheet**

Bit 2 - TACH2 - Enables tach based interrupts (stalled fan, spin up error, or drive fail) for the RPM based Fan Control Algorithm for Fan 2.

Bit 1 - TACH1 - Enables tach based interrupts (stalled fan, spin up error, or drive fail) for the RPM based Fan Control Algorithm for Fan 2.

Bit 1 - FAN1 - enable Fan controller based interrupts (i.e. FAN\_SHORT) for Fan 2

## 6.32 Fan Driver Setting Registers

**Table 6.38 Fan Driver Setting Registers**

ADDR	R/W	REGISTER	B7	B6	B5	B4	B3	B2	B1	B0	LOCK	DEFAULT
80h	R/W	Fan 1 Driver Setting Low Byte	2	1	-	-	-	-		-	No	00h
81h	R/W	Fan 1 Driver Setting High Byte	512	256	128	64	32	16	8	4	No	00h
90h	R/W	Fan 2 Driver Setting Low Byte	2	1	-	-	-	-		-	No	00h
91h	R/W	Fan 2 Driver Setting High Byte	512	256	128	64	32	16	8	4	No	00h

The Fan Driver Setting Registers are used to control the output of the individual Fan Drivers. The driver setting is the same if the output driver is configured as a PWM or a Dual Voltage Fan Driver and operate independently of the Polarity bit (for the PWM output). That is, a setting of 00\_00h will mean that the fan drive is at minimum drive while a value of FF\_C0h will mean that the fan drive is at maximum drive.

If the Spin Up Routine is invoked, reading from the registers will return the current fan drive setting that is being used by the Spin Up Routine instead of what was previously written into these registers.

The Fan Driver Setting Registers, when the RPM based Fan Control Algorithm is enabled, are read only. Writing to the register will have no affect and the data will not be stored. Reading from the register will always return the current fan drive setting.

If the 3V\_PWROK# or VDD\_PWRGD pins are de-asserted, the Fan Setting Registers will be made read only. Writing to the registers will have no affect and reading from the registers will return 00h.

When the RPM based Fan Control Algorithm is disabled, the current fan drive setting that was last used by the algorithm is retained and will be used.

If the Fan Setting Registers are set to a value of 00\_00h, then all tachometer related status bits will be masked until the setting is changed. Likewise, the FAN\_SHORT bit will be cleared and masked until the setting is changed.

## 6.33 Fan Configuration 1 Registers

Table 6.39 Fan Configuration 1 Register

ADDR	R/W	REGISTER	B7	B6	B5	B4	B3	B2	B1	B0	LOCK	DEFAULT
82h	R/W	Fan 1 Configuration 1	EN_ALGO	RANGE[1:0]		EDGES[1:0]		UPDATE[2:0]			SWL	2Bh
92h	R/W	Fan 2 Configuration 1	EN_ALGO	RANGE[1:0]		EDGES[1:0]		UPDATE[2:0]			SWL	2Bh

The Fan Configuration Register 1 controls the general operation of the RPM based Fan Control Algorithm used both fan drivers.

Bit 7 - EN\_ALGO - enables the RPM based Fan Control Algorithm. If the TACH1 / GPIO3 bit is set, then this bit is automatically cleared for Fan 1. If the TACH2 / GPIO4 bit is set, then this bit is automatically cleared for Fan 2.

- '0' - (default) the control circuitry is disabled and the fan driver output is determined by the Fan Driver Setting Register for the appropriate fan driver.
- '1' - the control circuitry is enabled and the Fan Driver output will be automatically updated to maintain the programmed fan speed as indicated by the TACH Target Register.

Bits 6- 5 - RANGE[1:0] - Adjusts the range of reported and programmed tachometer reading values. The RANGE bits determine the weighting of all TACH values (including the Valid TACH Count, TACH Target, and TACH reading) as shown in [Table 6.40, "Range Decode"](#).

Table 6.40 Range Decode

RANGE[1:0]		REPORTED MINIMUM RPM	TACH COUNT MULTIPLIER
1	0		
0	0	500	1
0	1	1000 (default)	2
1	0	2000	4
1	1	4000	8

Bits 4-3 - EDGES[1:0] - determines the minimum number of edges that must be detected on the TACHx signal to determine a single rotation. A typical fan measured 5 edges (for a 2-pole fan).

Increasing the number of edges measured with respect to the number of poles of the fan will cause the TACH Reading registers to indicate a fan speed that is higher or lower than the actual speed. In order for the FSC Algorithm to operate correctly, the TACH Target must be updated by the user to accommodate this shift. The Effective Tach Multiplier shown in [Table 6.41, "Minimum Edges for Fan Rotation"](#) is used as a direct multiplier term that is applied to the Actual RPM to achieve the Reported RPM. It should only be applied if the number of edges measured does not match the number of edges expected based on the number of poles of the fan (which is fixed for any given fan).

Contact Microchip for recommended settings when using fans with more or less than 2 poles.

## Data Sheet

Table 6.41 Minimum Edges for Fan Rotation

EDGES[1:0]		MINIMUM TACH EDGES	NUMBER OF FAN POLES	EFFECTIVE TACH MULTIPLIER (BASED ON 2 POLE FANS) IF EDGES CHANGED
1	0			
0	0	3	1 pole	0.5
0	1	5	2 poles (default)	1
1	0	7	3 poles	1.5
1	1	9	4 poles	2

Bit 2-0 - UPDATE - determines the base time between fan driver updates. The Update Time, along with the Fan Step Register, is used to control the ramp rate of the drive response to provide a cleaner transition of the actual fan operation as the desired fan speed changes. The Update Time is set as shown in [Table 6.42](#).

**APPLICATION NOTE:** This ramp rate control applies for all changes to the active PWM output including when the RPM based Fan Speed Control Algorithm is disabled.

Table 6.42 Update Time

UPDATE[2:0]			UPDATE TIME
2	1	0	
0	0	0	100ms
0	0	1	200ms
0	1	0	300ms
0	1	1	400ms (default)
1	0	0	500ms
1	0	1	800ms
1	1	0	1200ms
1	1	1	1600ms

## 6.34 Fan Configuration 2 Registers

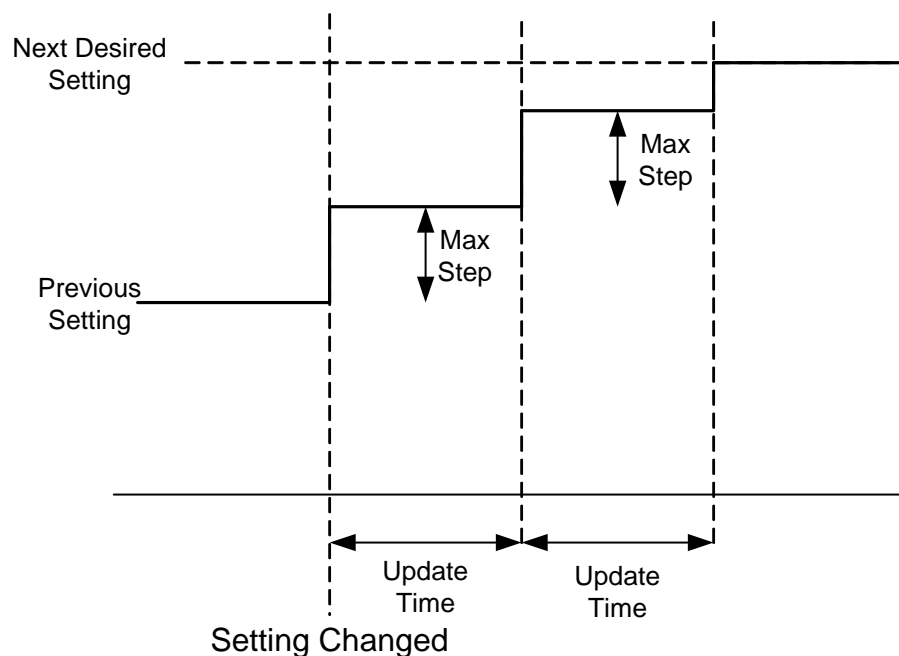
Table 6.43 Fan Configuration 2 Registers

ADDR	R/W	REGISTER	B7	B6	B5	B4	B3	B2	B1	B0	LOCK	DEFAULT
83h	R/W	Fan 1 Configuration 2	EN_RRC1	DIS_GLITCH1	DER_OPT 1 [1:0]		ERR_RNG [1:0]		POLARITY1	FAN1 / PWM1	SWL	34h
93h	R/W	Fan 2 Configuration 2	EN_RRC2	DIS_GLITCH2	DER_OPT 2 [1:0]		ERR_RNG [1:0]		POLARITY2	FAN2 / PWM2	SWL	34h

The Fan Configuration 2 Registers control the tachometer measurement and advanced features of the RPM based Fan Control Algorithm.

Bit 7 - EN\_RRCx - Enables the ramp rate control circuitry during the Manual Mode of operation.

- '0' (default) - The ramp rate control circuitry for the Manual Mode of operation is disabled. When the Fan Drive Setting values are changed and the RPM based Fan Control Algorithm is disabled, the fan drivers will be set to the new setting immediately.
- '1' - The ramp rate control circuitry for the Manual Mode of operation is enabled. When the Fan Drive Setting values are changed, the change is compared against the Fan Step Register settings. If the change is larger than the Fan Step, then the fan drivers will be incrementally updated based on the update time until the final programmed Fan Drive Setting value is reached. See [Figure 6.1, "Ramp Rate Control"](#)



**Figure 6.1 Ramp Rate Control**

Bit 6 - DIS\_GLITCHx - Disables the low pass glitch filter that removes high frequency noise injected on the TACHx pin(s).

- '0' (default) - The glitch filter is enabled.
- '1' - The glitch filter is disabled.

Bits 5 - 4 - DER\_OPTx[1:0] - Control some of the advanced options that affect the derivative portion of the RPM based fan control algorithm as shown in [Table 6.44, "Derivative Options"](#). These bits only apply if the Fan Speed Control Algorithm is used.

## Data Sheet

Table 6.44 Derivative Options

DER_OPTX[1:0]		OPERATION
1	0	
0	0	No derivative options used
0	1	Basic derivative. The derivative of the error from the current drive setting and the target is added to the iterative PWM drive setting (in addition to proportional and integral terms)
1	0	Step derivative. The derivative of the error from the current drive setting and the target is added to the iterative PWM drive setting and is not capped by the maximum PWM drive step. This allows for very fast response times
1	1	Both the basic derivative and the step derivative are used effectively causing the derivative term to have double the effect of the derivative term (default).

Bit 3 - 2 - ERR\_RNGx[1:0] - Control some of the advanced options that affect the error window. When the measured fan speed is within the programmed error window around the target speed, then the fan drive setting is not updated. These bits only apply if the Fan Speed Control Algorithm is used.

Table 6.45 Error Range Options

ERR_RNGX[1:0]		OPERATION
1	0	
0	0	0 RPM
0	1	50 RPM (default)
1	0	100 RPM
1	1	200 RPM

Bit 1 - POLARITY - Determines the polarity of the respective PWM driver. This does NOT affect the drive setting registers. A setting of 0% drive will still correspond to 0% drive independent of the polarity.

- '0' (default) - the Polarity of the PWM driver is normal. A drive setting of 00h will cause the output to be set at 0% duty cycle and a drive setting of FFh will cause the output to be set at 100% duty cycle.
- '1' - The Polarity of the PWM driver is inverted. A drive setting of 00h will cause the output to be set at 100% duty cycle and a drive setting of FFh will cause the output to be set at 0% duty cycle.

Bit 0 - FANx / PWMx - Determines whether the RPM based Fan Control Algorithm will drive a PWM output or the Dual Voltage Fan Driver Output.

- '0' (default) - The RPM based Fan Control Algorithm will drive the Dual Voltage Fan Driver circuitry using a 10-bit DAC to set the output voltage. The corresponding PWM output pin (PWM1 or PWM2 respectively) will automatically be configured as a GPIO and is controlled by the GPIO Registers.
- '1' - The RPM based Fan Control Algorithm will use a PWM output. The Dual Voltage Fan Driver will be disabled. The corresponding PWM output pin will be automatically configured as a PWM output and controlled by the PWM Config Register and the PWM Divide Registers.

## 6.35 Gain Registers

Table 6.46 Gain Registers

ADDR	R/W	REGISTER	B7	B6	B5	B4	B3	B2	B1	B0	LOCK	DEFAULT
84h	R/W	Gain 1 Register	-	-	GAIN <sub>D</sub> [1:0]		GAIN <sub>I</sub> [1:0]		GAIN <sub>P</sub> [1:0]		SWL	2Ah
94h	R/W	Gain 2 Register	-	-	GAIN <sub>D</sub> [1:0]		GAIN <sub>I</sub> [1:0]		GAIN <sub>P</sub> [1:0]		SWL	2Ah

The Gain Registers store the gain terms used by the proportional and integral portions of each of the RPM based Fan Control Algorithms. These registers only apply if the Fan Speed Control Algorithm is used.

Table 6.47 Gain Decode

GAIN <sub>D</sub> OR GAIN <sub>P</sub> OR GAIN <sub>I</sub> [1:0]		RESPECTIVE GAIN FACTOR
1	0	
0	0	1x
0	1	2x
1	0	4x (default)
1	1	8x

## 6.36 Fan Spin Up Configuration Registers

Table 6.48 Fan TACH Configuration Registers

ADDR	R/W	REGISTER	B7	B6	B5	B4	B3	B2	B1	B0	LOCK	DEFAULT
85h	R/W	Fan 1 Spin Up Configuration	DRIVE_FAIL_CNT1[1:0]		NOK ICK1	SPIN_LVL[2:0]			SPINUP_TIME [1:0]		SWL	19h
95h	R/W	Fan 2 Spin up Configuration	DRIVE_FAIL_CNT[1:0]		NOK ICK2	SPIN_LVL[2:0]			SPINUP_TIME [1:0]		SWL	19h

The Fan Spin Up Configuration Register controls the settings of Spin Up Routine.

Bit 7 - 6 - DRIVE\_FAIL\_CNT[1:0] - Determines how many update cycles are used for the Drive Fail detection function as shown in [Table 6.49](#). This circuitry determines whether the fan can be driven to the desired tach target. These settings only apply if the Fan Speed Control Algorithm is enabled.



## Data Sheet

Table 6.49 DRIVE\_FAIL\_CNT[1:0] Bit Decode

DRIVE_FAIL_CNT[1:0]		NUMBER OF UPDATE PERIODS
1	0	
0	0	Disabled - the Drive Fail detection circuitry is disabled
0	1	16 - the Drive Fail detection circuitry will count for 16 update periods
1	0	32 - the Drive Fail detection circuitry will count for 32 update periods
1	1	64 - the Drive Fail detection circuitry will count for 64 update periods

Bit 5 - NOKICKx - Determines if the Spin Up Routine will drive the fan to 100% duty cycle for 1/4 of the programmed spin up time before driving it at the programmed level.

- '0' (default) - The Spin Up Routine will drive the PWM to 100% for 1/4 of the programmed spin up time before reverting to the programmed spin level.
- '1' - The Spin Up Routine will not drive the PWM to 100%. It will set the drive at the programmed spin level for the entire duration of the programmed spin up time.

Bits 4 - 2 - SPIN\_LVL[2:0] - Determines the final drive level that is used by the Spin Up Routine as shown in [Table 6.50](#).

Table 6.50 Spin Level

SPIN_LVL[2:0]			SPIN UP DRIVE LEVEL
2	1	0	
0	0	0	30%
0	0	1	35%
0	1	0	40%
0	1	1	45%
1	0	0	50%
1	0	1	55%
1	1	0	60% (default)
1	1	1	65%

Bit 1 -0 - SPINUP\_TIME[1:0] - determines the maximum Spin Time that the Spin Up Routine will run for (see [Section Figure 5.3, "Spin Up Routine"](#)). If a valid tachometer measurement is not detected before the Spin Time has elapsed, then an interrupt will be generated. When the RPM based Fan Control Algorithm is active, the fan driver will attempt to re-start the fan immediately after the end of the last spin up attempt.

The Spin Time is set as shown in [Table 6.51](#).

Table 6.51 Spin Time

SPINUP_TIME[1:0]		TOTAL SPIN UP TIME
1	0	
0	0	250 ms
0	1	500 ms (default)
1	0	1 sec
1	1	2 sec

## 6.37 Fan Step Registers

Table 6.52 Fan Step Registers

ADDR	R/W	REGISTER	B7	B6	B5	B4	B3	B2	B1	B0	LOCK	DEFAULT
86h	R/W	Fan 1 Max Step	128	64	32	16	8	4	2	1	SWL	10h
96h	R/W	Fan 2 Max Step	128	64	32	16	8	4	2	1	SWL	10h

The Fan Step Registers, along with the Update Time, control the ramp rate of the fan driver response calculated by the RPM based Fan Control Algorithm. The value of the registers represents the maximum step size each fan driver will take between update times (see [Section 6.33, "Fan Configuration 1 Registers"](#)).

**APPLICATION NOTE:** The UPDATE bits and Fan Step Register settings operate independently of the RPM based Fan Speed Control Algorithm and will always limit the PWM setting. That is, if the programmed PWM setting (either in determined by the RPM based Fan Speed Control Algorithm or by manual settings) exceeds the current PWM setting by greater than the Fan Step Register setting, the EMC4002 will limit the PWM change to the value of the Fan Step Register. It will use the Update Time to determine how often to update the drive settings.

**APPLICATION NOTE:** If the Fan Speed Control Algorithm is used, the default settings in the Fan Configuration 2 Register will cause the maximum fan step settings to be ignored.

If the necessary fan driver delta is larger than the Fan Step, it will be capped at the Fan 1 or 2 Max Step setting and updated every Update Time ms.

## 6.38 Fan Minimum Drive Registers

Table 6.53 Minimum Fan Drive Registers

ADDR	R/W	REGISTER	B7	B6	B5	B4	B3	B2	B1	B0	LOCK	DEFAULT
87h	R/W	Fan 1 Minimum Drive	512	256	128	64	32	16	8	4	SWL	66h
97h	R/W	Fan 2 Minimum Drive	512	256	128	64	32	16	8	4	SWL	66h

The Fan Minimum Drive Registers store the minimum drive setting for each RPM based Fan Control Algorithm. The RPM based Fan Control Algorithm will not drive the fan at a level lower than the minimum drive unless the target Fan Speed is set at FF\_00h (see [Section 6.41, "TACH Target Registers"](#)).

During normal operation, if the fan stops for any reason (including low drive), the RPM based Fan Control Algorithm will attempt to restart the fan. Setting the Fan Minimum Drive Registers to a setting that will maintain fan operation is a useful way to avoid potential fan oscillations as the control circuitry attempts to drive it at a level that cannot support fan operation.

These registers only apply if the Fan Speed Control Algorithm is used.

## 6.39 Valid TACH Count Registers

Table 6.54 Valid TACH Count Registers

ADDR	R/W	REGISTER	B7	B6	B5	B4	B3	B2	B1	B0	LOCK	LOCK	DEFAULT
88h	R/W	Valid TACH Count 1	4096	2048	1024	512	256	128	64	32	SWL	SWL	F5h
98h	R/W	Valid TACH Count 2	4096	2048	1024	512	256	128	64	32	SWL	SWL	F5h

The Valid TACH Count Registers store the maximum TACH Reading Register value to indicate that the each fan is spinning properly. The value is referenced at the end of the Spin Up Routine to determine if the fan has started operating and decide if the device needs to retry. See [Equation \[2\]](#) for translating the RPM to a count.

If the TACH Reading Register value exceeds the Valid TACH Count Register (indicating that the Fan RPM is below the threshold set by this count) then a stalled fan is detected. In this condition, the algorithm will automatically begin its Spin Up Routine.

If a TACH Target setting is set above the Valid TACH Count setting then that setting will be ignored and the algorithm will use the current fan drive setting.

These registers only apply if the Fan Speed Control Algorithm is used.

## 6.40 Fan Drive Fail Band Registers

Table 6.55 Fan Drive Fail Band Registers

ADDR	R/W	REGISTER	B7	B6	B5	B4	B3	B2	B1	B0	LOCK	DEFAULT
89h	R/W	Fan 1 Drive Fail Band Low Byte	16	8	4	2	1	-	-	-	SWL	00h
8Ah	R/W	Fan 1 Drive Fail Band High Byte	4096	2048	1024	512	256	128	64	32	SWL	00h
99h	R/W	Fan 2 Drive Fail Band Low Byte	16	8	4	2	1	-	-	-	SWL	00h
9Ah	R/W	Fan 2 Drive Fail Band High Byte	4096	2048	1024	512	256	128	64	32	SWL	00h

The Fan Drive Fail Band Registers store the number of tach counts used by the Fan Drive Fail detection circuitry. This circuitry is activated when the fan drive setting high byte is at FFh. When it is enabled, the actual measured fan speed is compared against the target fan speed.

This circuitry is used to indicate that the target fan speed at full drive is higher than the fan is actually capable of reaching. If the measured fan speed does not exceed the target fan speed minus the Fan Drive Fail Band Register settings for a period of time longer than set by the DRIVE\_FAIL\_CNTx[1:0] bits then the DRIVE\_FAIL status bit will be set and an interrupt generated.

These registers only apply if the Fan Speed Control Algorithm is used.

## 6.41 TACH Target Registers

Table 6.56 TACH Target Registers

ADDR	R/W	REGISTER	B7	B6	B5	B4	B3	B2	B1	B0	LOCK	DEFAULT
8Bh	R/W	TACH Target 1 Low Byte	16	8	4	2	1	-	-	-	No	F8h
8Ch	R/W	TACH Target 1 High Byte	4096	2048	1024	512	256	128	64	32	No	FFh
9Bh	R/W	TACH Target 2 Low Byte	16	8	4	2	1	-	-	-	No	F8h
9Ch	R/W	TACH Target 2 High Byte	4096	2048	1024	512	256	128	64	32	No	FFh

The TACH Target Registers hold the target tachometer value that is maintained each of the RPM based Fan Control Algorithms.

If one of the algorithms is enabled and then setting the TACH Target Register High Byte to FFh will disable the fan driver (or set the PWM duty cycle to 0%). Setting the TACH Target to any other value (from a setting of FFh) will cause the algorithm to invoke the Spin Up Routine after which it will function normally.

## Data Sheet

These registers only apply if the Fan Speed Control Algorithm is used.

These registers are synchronized in that the TACH Target is not applied until the high byte is written.

## 6.42 TACH Reading Registers

Table 6.57 TACH Reading Registers

ADDR	R/W	REGISTER	B7	B6	B5	B4	B3	B2	B1	B0	LOCK	DEFAULT
8Dh	R/W	Fan 1 TACH Reading High Byte	4096	2048	1024	512	256	128	64	32	No	FFh
8Eh	R/W	Fan 1 TACH Reading Low Byte	16	8	4	2	1	-	-	-	No	F8h
9Dh	R/W	Fan 2 TACH Reading High Byte	4096	2048	1024	512	256	128	64	32	No	FFh
9Eh	R/W	Fan 2 TACH Reading Low Byte	16	8	4	2	1	-	-	-	No	F8h

The TACH Reading Registers' contents describe the current tachometer reading for each of the fan. By default, the data represents the fan speed as the number of 32.768kHz clock periods that occur for a single revolution of the fan.

Equation [2] shows the detailed conversion from tachometer measurement (COUNT) to RPM while Equation [3] shows the simplified translation of TACH Reading Register count to RPM assuming a 2-pole fan, measuring 5 edges, with a frequency of 32.768kHz.

These registers are synchronized. Any time that the high byte is read, the low byte is placed into an internal shadow register so that when the low byte is read, it will always be associated with the high byte. The low byte need not be read.

$$RPM = \frac{1}{(poles)} \times \frac{(n-1)}{COUNT \times \frac{1}{m}} \times f_{TACH} \times 60$$

where:

poles = number of poles of the fan  
(typically 2)

$f_{TACH}$  = the frequency of the tachometer measurement clock  
(typically 32.768kHz) [2]

n = number of edges measured  
(typically 5 for a 2 pole fan)

m = the multiplier defined by the RANGE bits

$$RPM = \frac{3,932,160 \times m}{COUNT}$$

COUNT = TACH Reading Register value (in decimal) [3]

**Note 6.2** The vdd\_RTC power domain may read lower than the actual value. This is due to a fix in the testmux block in the analog to block RTC current into a parasitic diode when VDD is removed.

## 6.43 Product ID Register (FDh)

Table 6.58 Product ID Register

ADDR	REGISTER	B7	B6	B5	B4	B3	B2	B1	B0	LOCK	DEFAULT
FDh	Product ID Register	0	0	0	1	0	0	1	1	No	13h

The Product ID Register contains a unique 8 bit word that identifies the product.

## Chapter 7 Package Diagram

**Note:** For the most current package drawings, see the Microchip Packaging Specification at <http://www.microchip.com/packaging>.

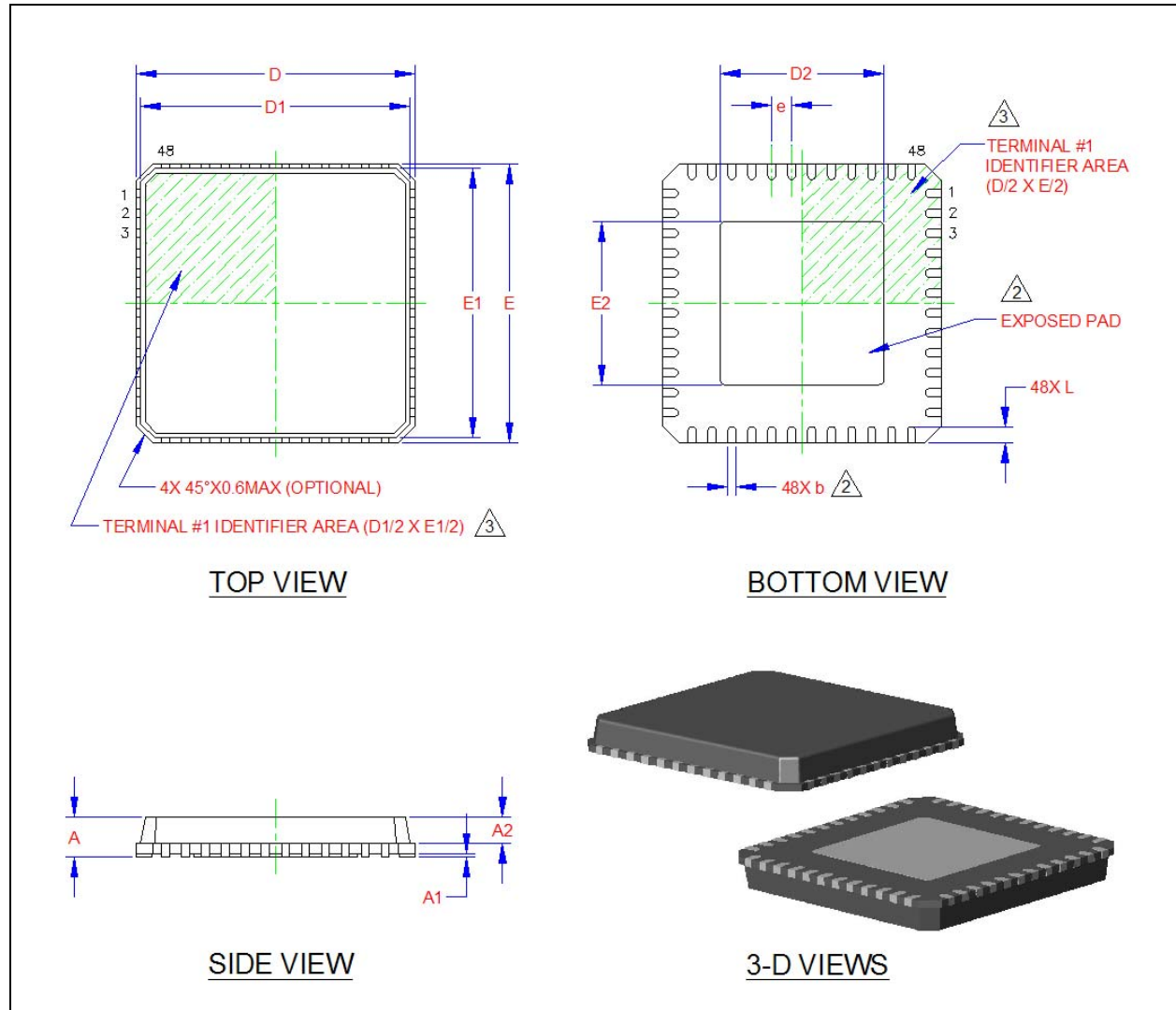


Figure 7.1 48-Pin QFN 7mm x 7mm Package Drawing

Table 7.1 48-Pin QFN 7mm x 7mm Package Dimensions

COMMON DIMENSIONS					
SYMBOL	MIN	NOM	MAX	NOTE	REMARK
A	0.70	-	1.00	-	OVERALL PACKAGE HEIGHT
A1	0	0.02	0.05	-	STANDOFF
A2	-	-	0.90	-	MOLD CAP THICKNESS
D/E	6.85	7.00	7.15	-	X/Y BODY SIZE
D1/E1	6.55	-	6.95	-	X/Y MOLD CAP SIZE
D2/E2	SEE VARIATIONS			2	X/Y EXPOSED PAD SIZE
L	0.30	-	0.50	-	TERMINAL LENGTH
b	0.18	0.25	0.30	2	TERMINAL WIDTH
e	0.50 BSC			-	TERMINAL PITCH

D2/E2 VARIATIONS				
MIN	NOM	MAX	NOTE	CATALOG PART #
3.95	4.10	4.25	-	USB2503, USB2503A & EMC4001

**NOTES:**

1. ALL DIMENSIONS ARE IN MILLIMETER.
2. POSITION TOLERANCE OF EACH TERMINAL AND EXPOSED PAD IS  $\pm 0.05$ mm AT MAXIMUM MATERIAL CONDITION. DIMENSIONS "b" APPLIES TO PLATED TERMINALS AND IT IS MEASURED BETWEEN 0.15 AND 0.30 mm FROM THE TERMINAL TIP.
3. DETAILS OF TERMINAL #1 IDENTIFIER ARE OPTIONAL BUT MUST BE LOCATED WITHIN THE AREA INDICATED.



## Chapter 8 XOR Test Tree

The EMC4002 contains an XOR test tree that can be used to verify system connectivity of all digital pins. The XOR test tree is enabled by asserting the XEN pin high at any time. Once the XOR test tree is enabled, driving any of the inputs to a '1' will cause the output to be asserted to '1'. Enabling the XOR test tree will not affect the register contents and will not reset the device.

Due to the XOR functionality, any odd number of inputs high forces the output high, and any even number of inputs high forces the output low.

### 8.1 Inputs

The XOR Test Tree inputs are:

1. ATF\_INT# / BC-LINK\_IRQ#
2. THERMTRIP\_SIO / PWM1 / GPIO5
3. ACAVAIL\_CLR
4. POWER\_SW#
5. THERMTRIP1#
6. THERMTRIP2#
7. THERMTRIP3#
8. 3V\_PWROK#
9. PWM2 / GPIO1
10. TACH2 / GPIO4
11. TACH1 / GPIO3
12. CLK\_IN / GPIO2
13. SMDATA / BC-LINK\_DATA
14. SMCLK / BC-LINK\_CLK
15. VDD\_PWRGD
16. LDO\_POK
17. LDO\_SHDN#

### 8.2 Output

The XOR Test Tree output is the SYS\_SHDN# pin.

### 8.3 Enabling/Disabling

The XOR test tree is enabled by driving the ADDR\_SEL / XEN pin to +5V at any time. When the ADDR\_SEL / XEN pin is returned to a value  $\leq 3.3V$ , then the XOR test tree is removed. Changing the ADDR\_SEL / XEN pin will not affect the ThermTrip logic selection (which is latched upon power up).

## Appendix A Thermistors

The EMC4002 can monitor thermistor inputs on VCP1, VCP2, VIN1, and VIN2 pins as well as supporting a thermistor option on the DP1 / VREF\_T and DN1 / THERM pins. The Thermistors can be connected as shown in [Figure A.1](#).

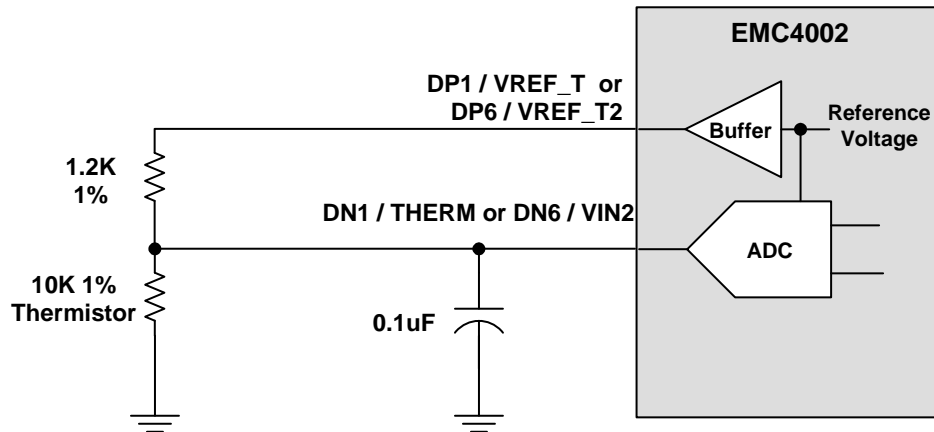


Figure A.1 “Low Side” Thermistor Connection

The relationship between voltage and temperature is roughly linear. The measured voltage by the EMC4002 will be inversely proportional to temperature (as shown in the example depicted in [Figure A.1](#)).

For a 10k Ohm type 3370 Thermistor and a 1.2k ohm  $\pm 1\%$  setting resistor, the output response corresponding to a thermistor configured as shown in [Figure A.1](#) is tabulated in [Table A.1](#). This table only applies for the VIN2 input if it is not inverted. The THERM input and the inverted VIN2 input output response is tabulated in [Table A.2](#).

The EMC4002 does not perform any numerical calculations on the thermistor value if a thermistor is monitored on VCP1, VCP2, VIN1, or VIN2. If the External Diode 1 channel is configured to monitor a thermistor, it must be configured as shown in [Figure A.1](#).

### A.1 Thermistor Look Up Tables

Table A.1 “Low Side” Thermistor Look Up Table

T (°C)	ADC CODE	T (°C)	ADC CODE	T (°C)	ADC CODE	T (°C)	ADC CODE
-45	254	15	235	75	157	135	72
-44	253	16	235	76	155	136	71
-43	253	17	234	77	154	137	70
-42	253	18	233	78	152	138	69
-41	253	19	232	79	150	139	68
-40	253	20	231	80	148	140	67

## Data Sheet

Table A.1 “Low Side” Thermistor Look Up Table (continued)

T (°C)	ADC CODE	T (°C)	ADC CODE	T (°C)	ADC CODE	T (°C)	ADC CODE
-39	253	21	231	81	146	141	66
-38	253	22	230	82	145	142	65
-37	252	23	229	83	143	143	64
-36	252	24	228	84	141	144	63
-35	252	25	227	85	139	145	62
-34	252	26	226	86	138	146	61
-33	252	27	225	87	136	147	60
-32	252	28	224	88	135	148	59
-31	252	29	223	89	133	149	59
-30	252	30	222	90	131	150	58
-29	251	31	221	91	129	151	57
-28	251	32	220	92	128	152	56
-27	251	33	219	93	126	153	55
-26	251	34	218	94	124	154	54
-25	251	35	217	95	123	155	54
-24	251	36	216	96	121	156	53
-23	250	37	215	97	119	157	52
-22	250	38	213	98	118	158	51
-21	250	39	212	99	116	159	51
-20	250	40	211	100	114	160	50
-19	250	41	210	101	113	161	49
-18	249	42	208	102	111	162	48
-17	249	43	207	103	110	163	48
-16	249	44	206	104	108	164	47
-15	249	45	205	105	106	165	46
-14	248	46	203	106	105	166	46
-13	248	47	202	107	103	167	45
-12	248	48	200	108	102	168	44
-11	247	49	199	109	100	169	44
-10	247	50	198	110	99	170	43
-9	247	51	196	111	97	171	43
-8	246	52	195	112	96	172	42

Table A.1 “Low Side” Thermistor Look Up Table (continued)

T (°C)	ADC CODE	T (°C)	ADC CODE	T (°C)	ADC CODE	T (°C)	ADC CODE
-7	246	53	193	113	95	173	41
-6	246	54	192	114	93	174	41
-5	245	55	190	115	92	175	40
-4	245	56	189	116	90	176	40
-3	245	57	187	117	89	177	39
-2	244	58	185	118	88	178	38
-1	244	59	184	119	86	179	38
0	243	60	182	120	85	180	37
1	243	61	181	121	84	181	37
2	243	62	179	122	82	182	36
3	242	63	177	123	81	183	36
4	242	64	176	124	80	184	35
5	241	65	174	125	79	185	35
6	241	66	172	126	82	186	34
7	240	67	171	127	81	187	34
8	240	68	169	128	80	188	33
9	239	69	167	129	78	189	33
10	238	70	166	130	77	190	32
11	238	71	164	131	76	191	32
12	237	72	162	132	75		
13	237	73	160	133	74		
14	236	74	159	134	73		

Table A.2 Inverted Thermistor Look Up Table

T (°C)	ADC CODE	T (°C)	ADC CODE	T (°C)	ADC CODE	T (°C)	ADC CODE
-45	0	15	19	75	97	135	182
-44	1	16	20	76	99	136	183
-43	1	17	20	77	100	137	184
-42	1	18	21	78	102	138	185
-41	1	19	22	79	104	139	186
-40	1	20	23	80	106	140	187

## Data Sheet

Table A.2 Inverted Thermistor Look Up Table (continued)

T (°C)	ADC CODE	T (°C)	ADC CODE	T (°C)	ADC CODE	T (°C)	ADC CODE
-39	1	21	23	81	108	141	188
-38	1	22	24	82	109	142	189
-37	2	23	25	83	111	143	190
-36	2	24	26	84	113	144	191
-35	2	25	27	85	115	145	192
-34	2	26	28	86	116	146	193
-33	2	27	29	87	118	147	194
-32	2	28	30	88	120	148	195
-31	2	29	31	89	121	149	195
-30	2	30	32	90	123	150	196
-29	3	31	33	91	125	151	197
-28	3	32	34	92	126	152	198
-27	3	33	35	93	128	153	199
-26	3	34	36	94	130	154	200
-25	3	35	37	95	131	155	200
-24	3	36	38	96	133	156	201
-23	4	37	39	97	135	157	202
-22	4	38	41	98	136	158	203
-21	4	39	42	99	138	159	203
-20	4	40	43	100	140	160	204
-19	4	41	44	101	141	161	205
-18	5	42	46	102	143	162	206
-17	5	43	47	103	144	163	206
-16	5	44	48	104	146	164	207
-15	5	45	50	105	148	165	208
-14	6	46	51	106	149	166	208
-13	6	47	52	107	151	167	209
-12	6	48	54	108	152	168	210
-11	7	49	55	109	154	169	210
-10	7	50	56	110	155	170	211
-9	7	51	58	111	157	171	211
-8	8	52	59	112	158	172	212

Table A.2 Inverted Thermistor Look Up Table (continued)

T (°C)	ADC CODE	T (°C)	ADC CODE	T (°C)	ADC CODE	T (°C)	ADC CODE
-7	8	53	61	113	159	173	213
-6	8	54	62	114	161	174	213
-5	9	55	64	115	162	175	214
-4	9	56	65	116	164	176	214
-3	9	57	67	117	165	177	215
-2	10	58	69	118	166	178	216
-1	10	59	70	119	168	179	216
0	11	60	72	120	169	180	217
1	11	61	73	121	170	181	217
2	11	62	75	122	172	182	218
3	12	63	77	123	173	183	218
4	12	64	78	124	174	184	219
5	13	65	80	125	175	185	219
6	13	66	82	126	172	186	220
7	14	67	83	127	173	187	220
8	15	68	85	128	174	188	221
9	15	69	87	129	176	189	221
10	16	70	88	130	177	190	222
11	16	71	90	131	178	191	222
12	17	72	92	132	179		
13	18	73	94	133	180		
14	18	74	95	134	181		

## Data Sheet

## Appendix B RPM to Tachometer Count Look Up Tables

### B.1 1k RPM Range

The Look Up Table is an example based on the assumption that the fan being measured has 2-poles and is measuring 5 edges using the 1k RPM range settings. The data presented in the reading is only the high byte data and the decimal count value only represents high byte data.

Table B.1 Tachometer Count to RPM Look Up Table (Range = 1000 RPM)

TACH COUNT (DECIMAL)	HIGH BYTE REGISTER READING (HEX)	FAN SPEED (RPM)	TACH COUNT (DECIMAL)	HIGH BYTE REGISTER READING (HEX)	FAN SPEED (RPM)
0	00	Disabled	4096	80	1920
32	01	245760	4128	81	1905
64	02	122880	4160	82	1890
96	03	81920	4192	83	1876
128	04	61440	4224	84	1862
160	05	49152	4256	85	1848
192	06	40960	4288	86	1834
224	07	35109	4320	87	1820
256	08	30720	4352	88	1807
288	09	27307	4384	89	1794
320	0A	24576	4416	8A	1781
352	0B	22342	4448	8B	1768
384	0C	20480	4480	8C	1755
416	0D	18905	4512	8D	1743
448	0E	17554	4544	8E	1731
480	0F	16384	4576	8F	1719
512	10	15360	4608	90	1707
544	11	14456	4640	91	1695
576	12	13653	4672	92	1683
608	13	12935	4704	93	1672
640	14	12288	4736	94	1661
672	15	11703	4768	95	1649
704	16	11171	4800	96	1638
736	17	10685	4832	97	1628

Table B.1 Tachometer Count to RPM Look Up Table (Range = 1000 RPM) (continued)

TACH COUNT (DECIMAL)	HIGH BYTE REGISTER READING (HEX)	FAN SPEED (RPM)	TACH COUNT (DECIMAL)	HIGH BYTE REGISTER READING (HEX)	FAN SPEED (RPM)
768	18	10240	4864	98	1617
800	19	9830	4896	99	1606
832	1A	9452	4928	9A	1596
864	1B	9102	4960	9B	1586
896	1C	8777	4992	9C	1575
928	1D	8474	5024	9D	1565
960	1E	8192	5056	9E	1555
992	1F	7928	5088	9F	1546
1024	20	7680	5120	A0	1536
1056	21	7447	5152	A1	1526
1088	22	7228	5184	A2	1517
1120	23	7022	5216	A3	1508
1152	24	6827	5248	A4	1499
1184	25	6642	5280	A5	1489
1216	26	6467	5312	A6	1480
1248	27	6302	5344	A7	1472
1280	28	6144	5376	A8	1463
1312	29	5994	5408	A9	1454
1344	2A	5851	5440	AA	1446
1376	2B	5715	5472	AB	1437
1408	2C	5585	5504	AC	1429
1440	2D	5461	5536	AD	1421
1472	2E	5343	5568	AE	1412
1504	2F	5229	5600	AF	1404
1536	30	5120	5632	B0	1396
1568	31	5016	5664	B1	1388
1600	32	4915	5696	B2	1381
1632	33	4819	5728	B3	1373
1664	34	4726	5760	B4	1365
1696	35	4637	5792	B5	1358
1728	36	4551	5824	B6	1350



## Data Sheet

Table B.1 Tachometer Count to RPM Look Up Table (Range = 1000 RPM) (continued)

TACH COUNT (DECIMAL)	HIGH BYTE REGISTER READING (HEX)	FAN SPEED (RPM)	TACH COUNT (DECIMAL)	HIGH BYTE REGISTER READING (HEX)	FAN SPEED (RPM)
1760	37	4468	5856	B7	1343
1792	38	4389	5888	B8	1336
1824	39	4312	5920	B9	1328
1856	3A	4237	5952	BA	1321
1888	3B	4165	5984	BB	1314
1920	3C	4096	6016	BC	1307
1952	3D	4029	6048	BD	1300
1984	3E	3964	6080	BE	1293
2016	3F	3901	6112	BF	1287
2048	40	3840	6144	C0	1280
2080	41	3781	6176	C1	1273
2112	42	3724	6208	C2	1267
2144	43	3668	6240	C3	1260
2176	44	3614	6272	C4	1254
2208	45	3562	6304	C5	1248
2240	46	3511	6336	C6	1241
2272	47	3461	6368	C7	1235
2304	48	3413	6400	C8	1229
2336	49	3367	6432	C9	1223
2368	4A	3321	6464	CA	1217
2400	4B	3277	6496	CB	1211
2432	4C	3234	6528	CC	1205
2464	4D	3192	6560	CD	1199
2496	4E	3151	6592	CE	1193
2528	4F	3111	6624	CF	1187
2560	50	3072	6656	D0	1182
2592	51	3034	6688	D1	1176
2624	52	2997	6720	D2	1170
2656	53	2961	6752	D3	1165
2688	54	2926	6784	D4	1159
2720	55	2891	6816	D5	1154

Table B.1 Tachometer Count to RPM Look Up Table (Range = 1000 RPM) (continued)

TACH COUNT (DECIMAL)	HIGH BYTE REGISTER READING (HEX)	FAN SPEED (RPM)	TACH COUNT (DECIMAL)	HIGH BYTE REGISTER READING (HEX)	FAN SPEED (RPM)
2752	56	2858	6848	D6	1148
2784	57	2825	6880	D7	1143
2816	58	2793	6912	D8	1138
2848	59	2761	6944	D9	1133
2880	5A	2731	6976	DA	1127
2912	5B	2701	7008	DB	1122
2944	5C	2671	7040	DC	1117
2976	5D	2643	7072	DD	1112
3008	5E	2614	7104	DE	1107
3040	5F	2587	7136	DF	1102
3072	60	2560	7168	E0	1097
3104	61	2534	7200	E1	1092
3136	62	2508	7232	E2	1087
3168	63	2482	7264	E3	1083
3200	64	2458	7296	E4	1078
3232	65	2433	7328	E5	1073
3264	66	2409	7360	E6	1069
3296	67	2386	7392	E7	1064
3328	68	2363	7424	E8	1059
3360	69	2341	7456	E9	1055
3392	6A	2318	7488	EA	1050
3424	6B	2297	7520	EB	1046
3456	6C	2276	7552	EC	1041
3488	6D	2255	7584	ED	1037
3520	6E	2234	7616	EE	1033
3552	6F	2214	7648	EF	1028
3584	70	2194	7680	F0	1024
3616	71	2175	7712	F1	1020
3648	72	2156	7744	F2	1016
3680	73	2137	7776	F3	1011
3712	74	2119	7808	F4	1007

## Data Sheet

Table B.1 Tachometer Count to RPM Look Up Table (Range = 1000 RPM) (continued)

TACH COUNT (DECIMAL)	HIGH BYTE REGISTER READING (HEX)	FAN SPEED (RPM)	TACH COUNT (DECIMAL)	HIGH BYTE REGISTER READING (HEX)	FAN SPEED (RPM)
3744	75	2101	7840	F5	1003
3776	76	2083	7872	F6	999
3808	77	2065	7904	F7	995
3840	78	2048	7936	F8	991
3872	79	2031	7968	F9	987
3904	7A	2014	8000	FA	983
3936	7B	1998	8032	FB	979
3968	7C	1982	8064	FC	975
4000	7D	1966	8096	FD	971
4032	7E	1950	8128	FE	968
4064	7F	1935	8160	FF	Fan Stopped

## Chapter 9 EMC4002 Data Sheet Revision History

Table 9.1 Revision History

REVISION LEVEL & DATE	SECTION/FIGURE/ENTRY	CORRECTION
REV A (03-05-14)	REV A replaces previous SMSC version Rev. 1.03 (03-07-08)	

## Data Sheet

### Note the following details of the code protection feature on Microchip devices:

- Microchip products meet the specification contained in their particular Microchip Data Sheet.
- Microchip believes that its family of products is one of the most secure families of its kind on the market today, when used in the intended manner and under normal conditions.
- There are dishonest and possibly illegal methods used to breach the code protection feature. All of these methods, to our knowledge, require using the Microchip products in a manner outside the operating specifications contained in Microchip's Data Sheets. Most likely, the person doing so is engaged in theft of intellectual property.
- Microchip is willing to work with the customer who is concerned about the integrity of their code.
- Neither Microchip nor any other semiconductor manufacturer can guarantee the security of their code. Code protection does not mean that we are guaranteeing the product as "unbreakable."

Code protection is constantly evolving. We at Microchip are committed to continuously improving the code protection features of our products. Attempts to break Microchip's code protection feature may be a violation of the Digital Millennium Copyright Act. If such acts allow unauthorized access to your software or other copyrighted work, you may have a right to sue for relief under that Act.

Information contained in this publication regarding device applications and the like is provided only for your convenience and may be superseded by updates. It is your responsibility to ensure that your application meets with your specifications. MICROCHIP MAKES NO REPRESENTATIONS OR WARRANTIES OF ANY KIND WHETHER EXPRESS OR IMPLIED, WRITTEN OR ORAL, STATUTORY OR OTHERWISE, RELATED TO THE INFORMATION, INCLUDING BUT NOT LIMITED TO ITS CONDITION, QUALITY, PERFORMANCE, MERCHANTABILITY OR FITNESS FOR PURPOSE. Microchip disclaims all liability arising from this information and its use. Use of Microchip devices in life support and/or safety applications is entirely at the buyer's risk, and the buyer agrees to defend, indemnify and hold harmless Microchip from any and all damages, claims, suits, or expenses resulting from such use. No licenses are conveyed, implicitly or otherwise, under any Microchip intellectual property rights.

### Trademarks

The Microchip name and logo, the Microchip logo, dsPIC, FlashFlex, KEELOQ, KEELOQ logo, MPLAB, PIC, PICmicro, PICSTART, PIC<sup>32</sup> logo, rPIC, SST, SST Logo, SuperFlash and UNI/O are registered trademarks of Microchip Technology Incorporated in the U.S.A. and other countries.

FilterLab, Hampshire, HI-TECH C, Linear Active Thermistor, MTP, SEEVAL and The Embedded Control Solutions Company are registered trademarks of Microchip Technology Incorporated in the U.S.A.

Silicon Storage Technology is a registered trademark of Microchip Technology Inc. in other countries.

Analog-for-the-Digital Age, Application Maestro, BodyCom, chipKIT, chipKIT logo, CodeGuard, dsPICDEM, dsPICDEM.net, dsPICworks, dsSPEAK, ECAN, ECONOMONITOR, FanSense, HI-TIDE, In-Circuit Serial Programming, ICSP, Mindi, MiWi, MPASM, MPF, MPLAB Certified logo, MPLIB, MPLINK, mTouch, Omniscient Code Generation, PICC, PICC-18, PICDEM, PICDEM.net, PICKit, PICtail, REAL ICE, rFLAB, Select Mode, SQI, Serial Quad I/O, Total Endurance, TSHARC, UniWinDriver, WiperLock, ZENA and Z-Scale are trademarks of Microchip Technology Incorporated in the U.S.A. and other countries.

SQTP is a service mark of Microchip Technology Incorporated in the U.S.A.

GestIC and ULPP are registered trademarks of Microchip Technology Germany II GmbH & Co. KG, a subsidiary of Microchip Technology Inc., in other countries.

A more complete list of registered trademarks and common law trademarks owned by Standard Microsystems Corporation ("SMSC") is available at: [www.smcs.com](http://www.smcs.com). The absence of a trademark (name, logo, etc.) from the list does not constitute a waiver of any intellectual property rights that SMSC has established in any of its trademarks.

All other trademarks mentioned herein are property of their respective companies.

© 2014, Microchip Technology Incorporated, Printed in the U.S.A., All Rights Reserved.

ISBN: 9781620779613

**QUALITY MANAGEMENT SYSTEM**  
**CERTIFIED BY DNV**  
**== ISO/TS 16949 ==**

*Microchip received ISO/TS-16949:2009 certification for its worldwide headquarters, design and wafer fabrication facilities in Chandler and Tempe, Arizona; Gresham, Oregon and design centers in California and India. The Company's quality system processes and procedures are for its PIC<sup>®</sup> MCUs and dsPIC<sup>®</sup> DSCs, KEELOQ<sup>®</sup> code hopping devices, Serial EEPROMs, microperipherals, nonvolatile memory and analog products. In addition, Microchip's quality system for the design and manufacture of development systems is ISO 9001:2000 certified.*



# MICROCHIP

## Worldwide Sales and Service

### AMERICAS

**Corporate Office**  
2355 West Chandler Blvd.  
Chandler, AZ 85224-6199  
Tel: 480-792-7200  
Fax: 480-792-7277  
Technical Support:  
<http://www.microchip.com/support>  
Web Address:  
[www.microchip.com](http://www.microchip.com)

**Atlanta**  
Duluth, GA  
Tel: 678-957-9614  
Fax: 678-957-1455

**Austin, TX**  
Tel: 512-257-3370

**Boston**  
Westborough, MA  
Tel: 774-760-0087  
Fax: 774-760-0088

**Chicago**  
Itasca, IL  
Tel: 630-285-0071  
Fax: 630-285-0075

**Cleveland**  
Independence, OH  
Tel: 216-447-0464  
Fax: 216-447-0643

**Dallas**  
Addison, TX  
Tel: 972-818-7423  
Fax: 972-818-2924

**Detroit**  
Novi, MI  
Tel: 248-848-4000

**Houston, TX**  
Tel: 281-894-5983

**Indianapolis**  
Noblesville, IN  
Tel: 317-773-8323  
Fax: 317-773-5453

**Los Angeles**  
Mission Viejo, CA  
Tel: 949-462-9523  
Fax: 949-462-9608

**New York, NY**  
Tel: 631-435-6000

**San Jose, CA**  
Tel: 408-735-9110

**Canada - Toronto**  
Tel: 905-673-0699  
Fax: 905-673-6509

### ASIA/PACIFIC

**Asia Pacific Office**  
Suites 3707-14, 37th Floor  
Tower 6, The Gateway  
Harbour City, Kowloon  
Hong Kong  
Tel: 852-2401-1200  
Fax: 852-2401-3431

**Australia - Sydney**  
Tel: 61-2-9868-6733  
Fax: 61-2-9868-6755

**China - Beijing**  
Tel: 86-10-8569-7000  
Fax: 86-10-8528-2104

**China - Chengdu**  
Tel: 86-28-8665-5511  
Fax: 86-28-8665-7889

**China - Chongqing**  
Tel: 86-23-8980-9588  
Fax: 86-23-8980-9500

**China - Hangzhou**  
Tel: 86-571-2819-3187  
Fax: 86-571-2819-3189

**China - Hong Kong SAR**  
Tel: 852-2943-5100  
Fax: 852-2401-3431

**China - Nanjing**  
Tel: 86-25-8473-2460  
Fax: 86-25-8473-2470

**China - Qingdao**  
Tel: 86-532-8502-7355  
Fax: 86-532-8502-7205

**China - Shanghai**  
Tel: 86-21-5407-5533  
Fax: 86-21-5407-5066

**China - Shenyang**  
Tel: 86-24-2334-2829  
Fax: 86-24-2334-2393

**China - Shenzhen**  
Tel: 86-755-8864-2200  
Fax: 86-755-8203-1760

**China - Wuhan**  
Tel: 86-27-5980-5300  
Fax: 86-27-5980-5118

**China - Xian**  
Tel: 86-29-8833-7252  
Fax: 86-29-8833-7256

**China - Xiamen**  
Tel: 86-592-2388138  
Fax: 86-592-2388130

**China - Zhuhai**  
Tel: 86-756-3210040  
Fax: 86-756-3210049

### ASIA/PACIFIC

**India - Bangalore**  
Tel: 91-80-3090-4444  
Fax: 91-80-3090-4123

**India - New Delhi**  
Tel: 91-11-4160-8631  
Fax: 91-11-4160-8632

**India - Pune**  
Tel: 91-20-3019-1500

**Japan - Osaka**  
Tel: 81-6-6152-7160  
Fax: 81-6-6152-9310

**Japan - Tokyo**  
Tel: 81-3-6880-3770  
Fax: 81-3-6880-3771

**Korea - Daegu**  
Tel: 82-53-744-4301  
Fax: 82-53-744-4302

**Korea - Seoul**  
Tel: 82-2-554-7200  
Fax: 82-2-558-5932 or  
82-2-558-5934

**Malaysia - Kuala Lumpur**  
Tel: 60-3-6201-9857  
Fax: 60-3-6201-9859

**Malaysia - Penang**  
Tel: 60-4-227-8870  
Fax: 60-4-227-4068

**Philippines - Manila**  
Tel: 63-2-634-9065  
Fax: 63-2-634-9069

**Singapore**  
Tel: 65-6334-8870  
Fax: 65-6334-8850

**Taiwan - Hsin Chu**  
Tel: 886-3-5778-366  
Fax: 886-3-5770-955

**Taiwan - Kaohsiung**  
Tel: 886-7-213-7830

**Taiwan - Taipei**  
Tel: 886-2-2508-8600  
Fax: 886-2-2508-0102

**Thailand - Bangkok**  
Tel: 66-2-694-1351  
Fax: 66-2-694-1350

### EUROPE

**Austria - Wels**  
Tel: 43-7242-2244-39  
Fax: 43-7242-2244-393

**Denmark - Copenhagen**  
Tel: 45-4450-2828  
Fax: 45-4485-2829

**France - Paris**  
Tel: 33-1-69-53-63-20  
Fax: 33-1-69-30-90-79

**Germany - Dusseldorf**  
Tel: 49-2129-3766400

**Germany - Munich**  
Tel: 49-89-627-144-0  
Fax: 49-89-627-144-44

**Germany - Pforzheim**  
Tel: 49-7231-424750

**Italy - Milan**  
Tel: 39-0331-742611  
Fax: 39-0331-466781

**Italy - Venice**  
Tel: 39-049-7625286

**Netherlands - Drunen**  
Tel: 31-416-690399  
Fax: 31-416-690340

**Poland - Warsaw**  
Tel: 48-22-3325737

**Spain - Madrid**  
Tel: 34-91-708-08-90  
Fax: 34-91-708-08-91

**Sweden - Stockholm**  
Tel: 46-8-5090-4654

**UK - Wokingham**  
Tel: 44-118-921-5800  
Fax: 44-118-921-5820

10/28/13