

THIS DRAWING IS UNPUBLISHED. RELEASED FOR PUBLICATION 20
 © COPYRIGHT 20 BY - ALL RIGHTS RESERVED.

REVISIONS				
P	LTR	DESCRIPTION	DATE	APVD
B		REVISED (ECR-17-003434)	16MAR2017	SC JK
B1		REVISED (ECR-17-008878)	22JUN2017	SC JK
C		REVISED (ECR-17-009138)	23OCT2017	SC JK
C1		REVISED (ECR-17-017096)	18DEC2017	SC JK

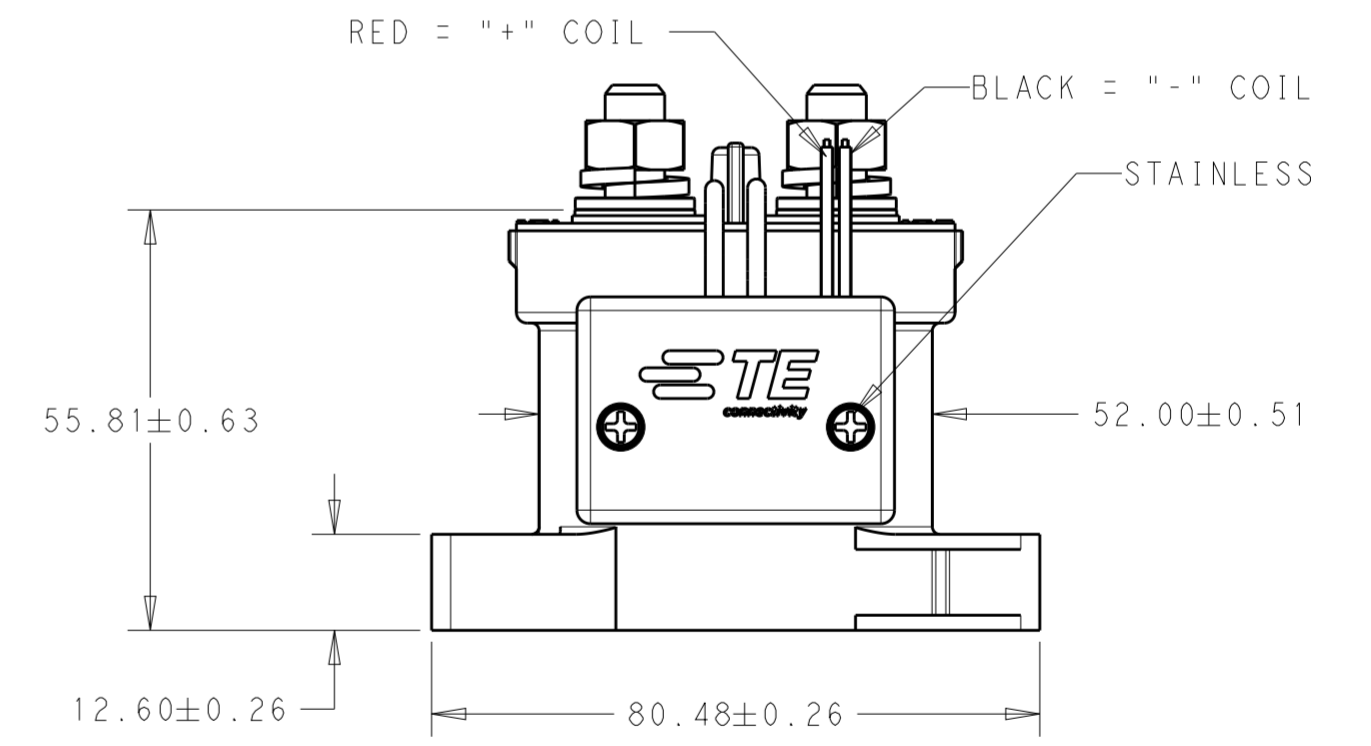
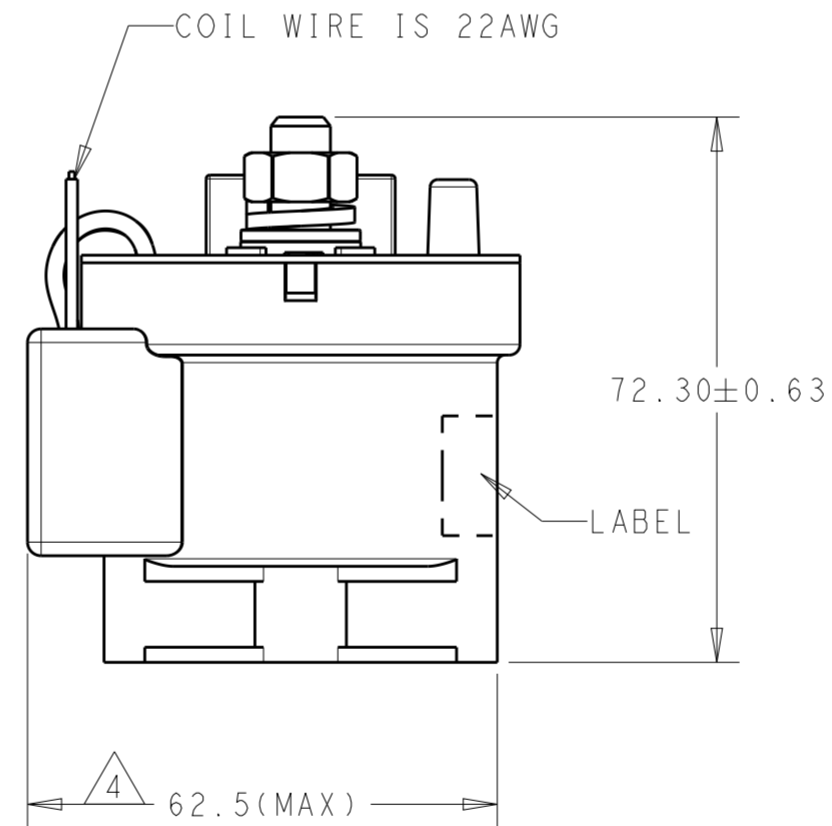
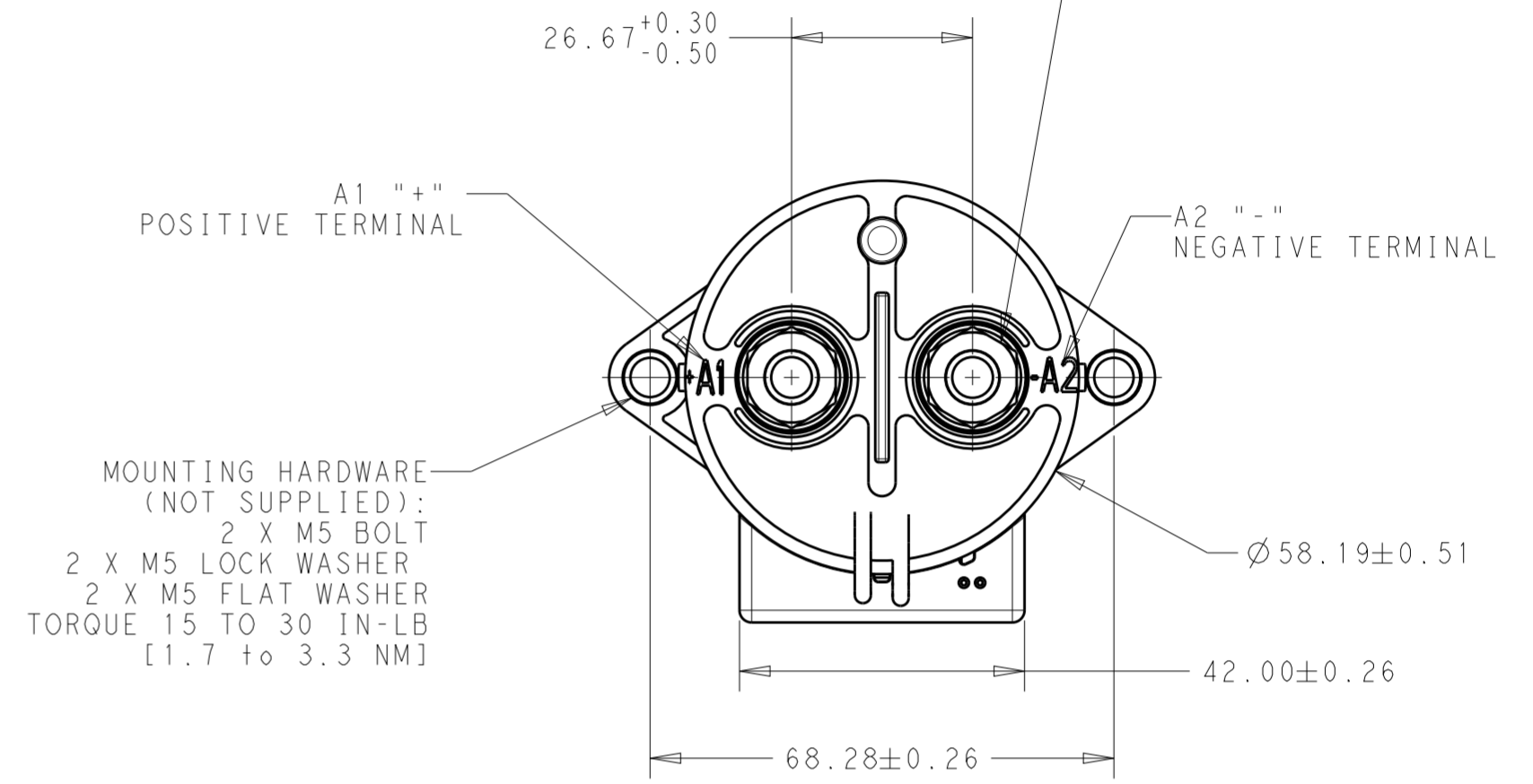
PERFORMANCE DATA

PARAMETERS	UNITS	VALUE FOR EVC500 SERIES
CONTACT ARRANGEMENT : POWER CONTACTS		1 FORM X (SPST-NO-DM)
RATED OPERATING VOLTAGE (NOTE: VOLTAGES BETWEEN 450 TO 900 VDC ARE CAPABLE BUT LOAD DEPENDENT AND REQUEIRE TE ENGINEERING APPROVAL)	VDC	100-900
CONTINUOUS (CARRY) CURRENT, TYPICAL CONSULT FACTORY FOR REQUIRED CONDUCTORS FOR HIGHER (500+A) CURRENTS	A	500@85°C, 400 MCM CONDUCTORS
BREAK CURRENT AT 450 VDC	A	1560, 1CYCLE
COTACT RESISTANCE, TYPICAL(@200A)	mOHMS	0.5
LOAD LIFE	CYCLES	SEE DATASHEET
MECHANICAL LIFE	CYCLES	500,000
OPERATE TIME @ 25°C CLOSE (INCLUDES BOUNCE), TYPICAL	mS	20
BOUNCE (AFTER CLOSE ONLY), MAX	mS	7
RELEASE (INCLUDES ARCING), MAX @ 2000A	mS	12
DIELECTRIC WITHSTAND VOLTAGE	Vdc	2920 @ SEA LEVEL (LEKAGE<1 mA)
INSULATION RESISTANCE @ 500VDC	GOHMS	1
SHOCK, 11ms 1/2 SINE, PEAK, OPERATING	G	50
VIBRATION, SINE, 80-2000HZ, PEAK	G	20
OPERATING AMBIENT TEMPERATURE	°C	-40 TO 85
WEIGHT (NOMINAL)	kg	0.43

COIL DATA

VOLTAGE (WILL OPERATE)	9 ~ 36 VDC
VOLTAGE (MAX)	36VDC
PICK UP (CLOSE VOLTAGE MAX)	9VDC
INRUSH CURRENT (MAX)	3.8A
HOLDING CURRENT (AVG)	0.13A @ 12V
INRUSH TIME (MAX)	130ms

M8 X 1.25 POWER TEMINALS
 (HARDWARE SUPPLIED):
 2 X M8 FLAT WASHER, STAINLESS
 2 X M8 LOCK WASHER - SPLIT RING, STAINLESS
 2 X M8 X 1.25 NUT, STAINLESS
 TORQUE 80 TO 100 IN-LB [8.8 TO 11NM]



2299223-1 SHOWN

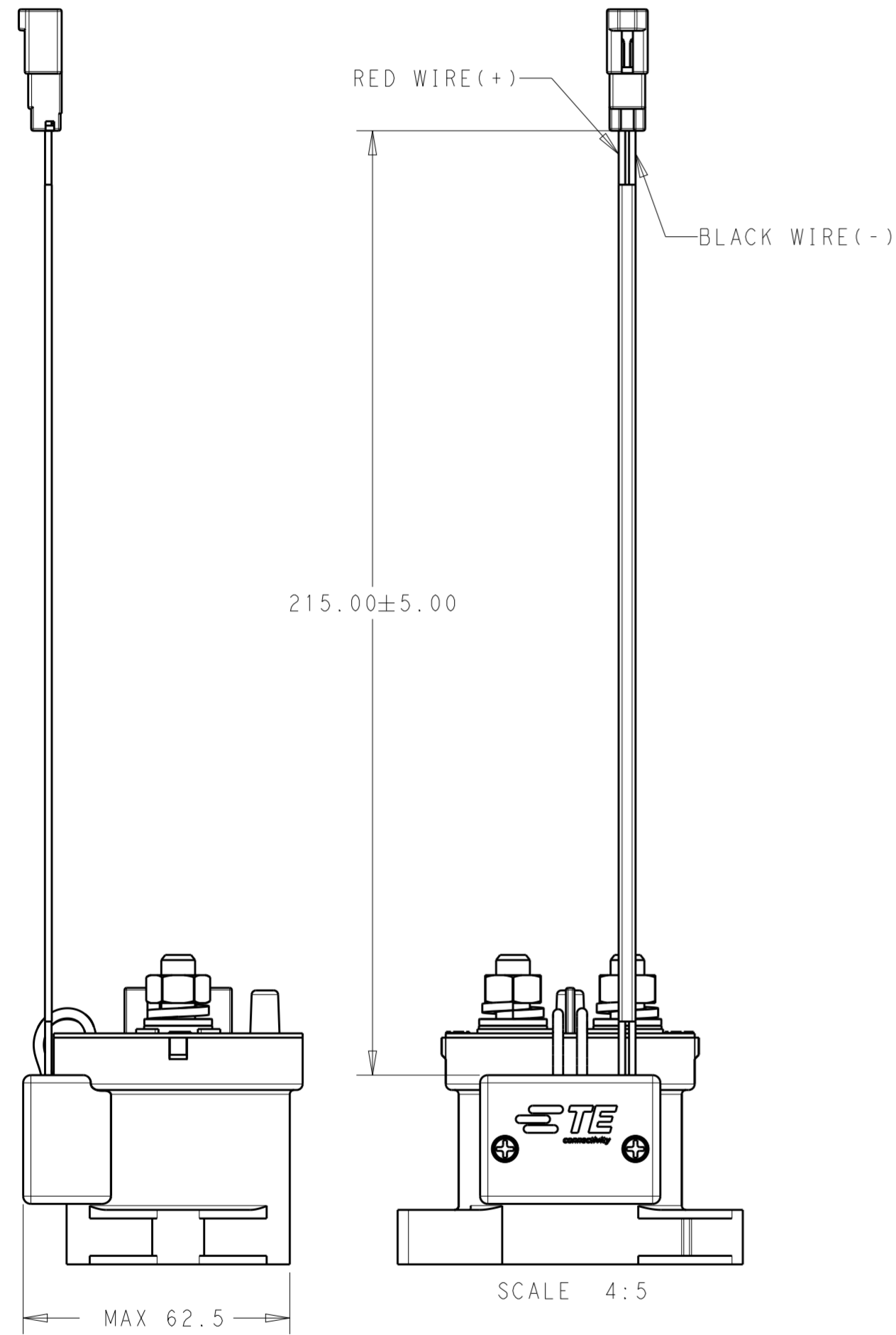
DESCRIPTION	PART NUMBER
WITHOUT TERMINALS AND CONNECTOR2	2299223-3
WITHOUT TERMINALS AND CONNECTOR	2299223-2
WITH TERMINALS AND CONNECTOR	2299223-1

- TO AVOID OVERHEATING THE COIL ABOVE SHOULD NOT BE LEFT ON A AT FULL POWER (12V) FOR A LONG PERIOD OF TIME.
- FOR ANY OTHER INFORMATION PLEASE REFER TO THE EVC500 GENERAL CUSTOMER DATASHEET
- MUST MEET 3000VAC DIELECTRIC WITHSTAND VOLTAGE (1mA LEAKAGE) FOR 60 SECONDS.

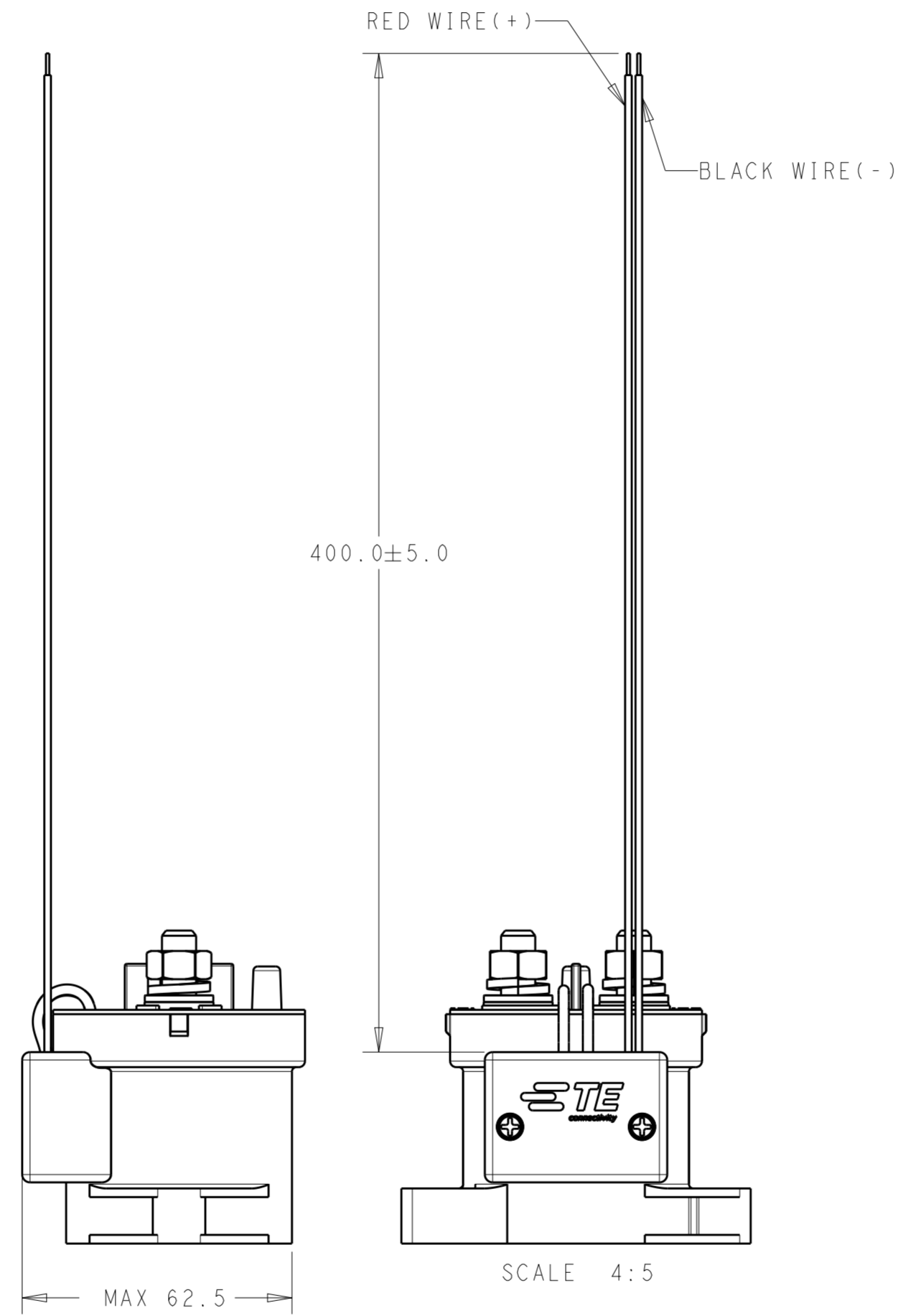
4 SHEET1 IS SHOWN GENERAL DIMENSION OF 2299223-1&2. REFER TO SHEET2 ABOUT DIFFERENCE 2299223-1&2 AND 2299223-3.

THIS DRAWING IS A CONTROLLED DOCUMENT.		DWN SC HWANG 04JAN2016	TE Connectivity			
DIMENSIONS: mm		CHK SH JANG 04JAN2016				
TOLERANCES UNLESS OTHERWISE SPECIFIED:		APVD JK KIM 04JAN2016				
0 PLC ± 1 PLC ±0.3 2 PLC ±0.13 3 PLC ± 4 PLC ± ANGLES ± FINISH ±		NAME RELAY EVC500 ECONOMIZER WITH JUMPER				
MATERIAL		PRODUCT SPEC	SIZE A2	CAGE CODE 00779	DRAWING NO C-2299223	RESTRICTED TO
		APPLICATION SPEC	SCALE 1:1		SHEET 1 OF 2	REV C1
		WEIGHT	CUSTOMER DRAWING			

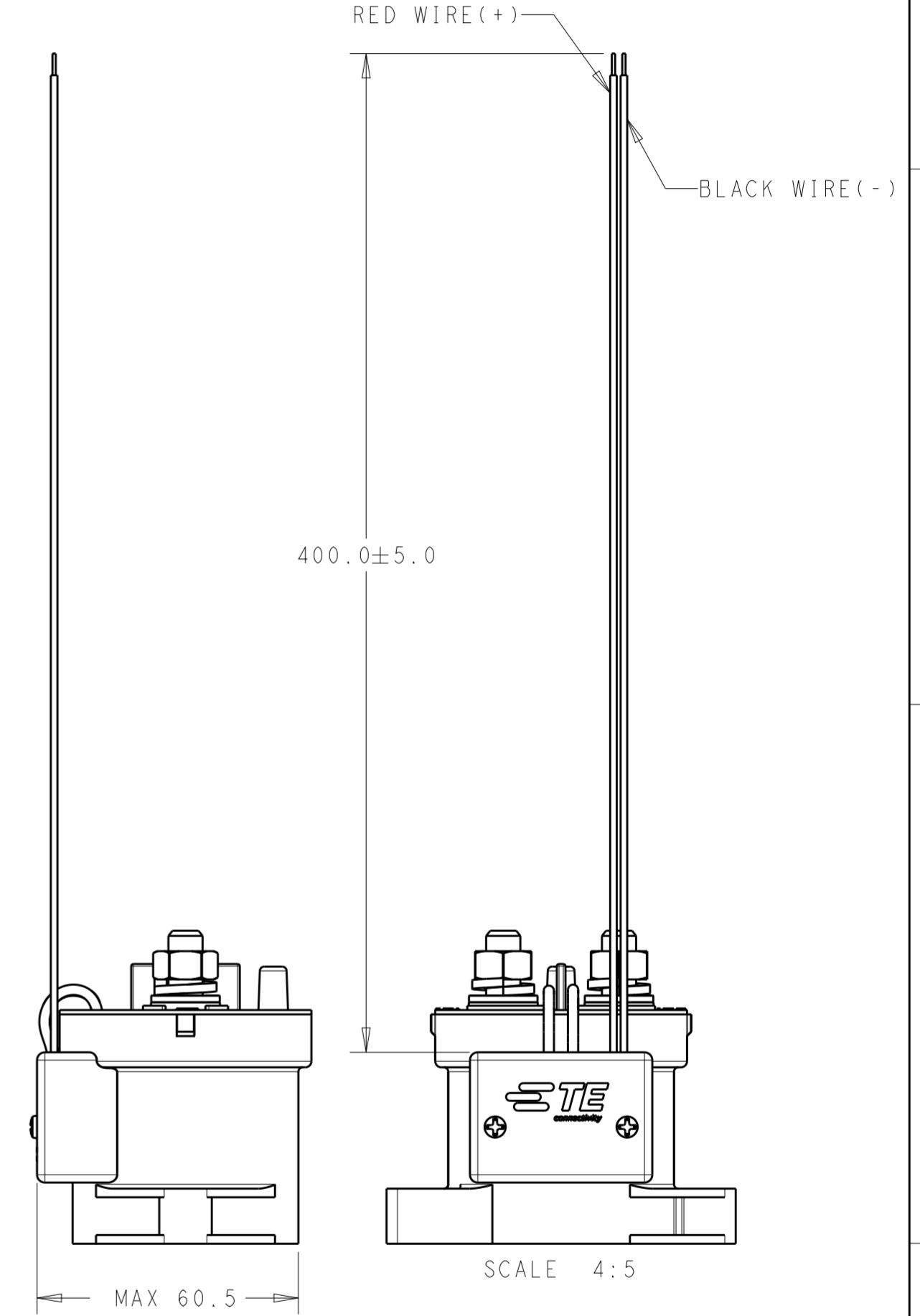
REVISIONS				
P	LTR	DESCRIPTION	DATE	APVD
		SEE SHEET 1		



2299223-1	WITH TERMINALS AND CONNECTOR
PART NUMBER	DESCRIPTION



2299223-2	WITHOUT TERMINALS AND CONNECTOR
PART NUMBER	DESCRIPTION



2299223-3	WITHOUT TERMINALS AND CONNECTOR2
PART NUMBER	DESCRIPTION

THIS DRAWING IS A CONTROLLED DOCUMENT.		DWN -	STE TE Connectivity	
		CHK -		
		APVD -	NAME RELAY	
DIMENSIONS: mm		PRODUCT SPEC -	EVC500 ECONOMIZER WITH JUMPER	
TOLERANCES UNLESS OTHERWISE SPECIFIED:		APPLICATION SPEC -	SIZE A2	CAGE CODE 00779
0 PLC ±		WEIGHT -	DRAWING NO C-2299223	RESTRICTED TO -
1 PLC ±0.3		CUSTOMER DRAWING	SCALE 1:1	SHEET 2 OF 2
2 PLC ±0.13				REV C1
3 PLC ±				
4 PLC ±				
ANGLES ±				
FINISH -				