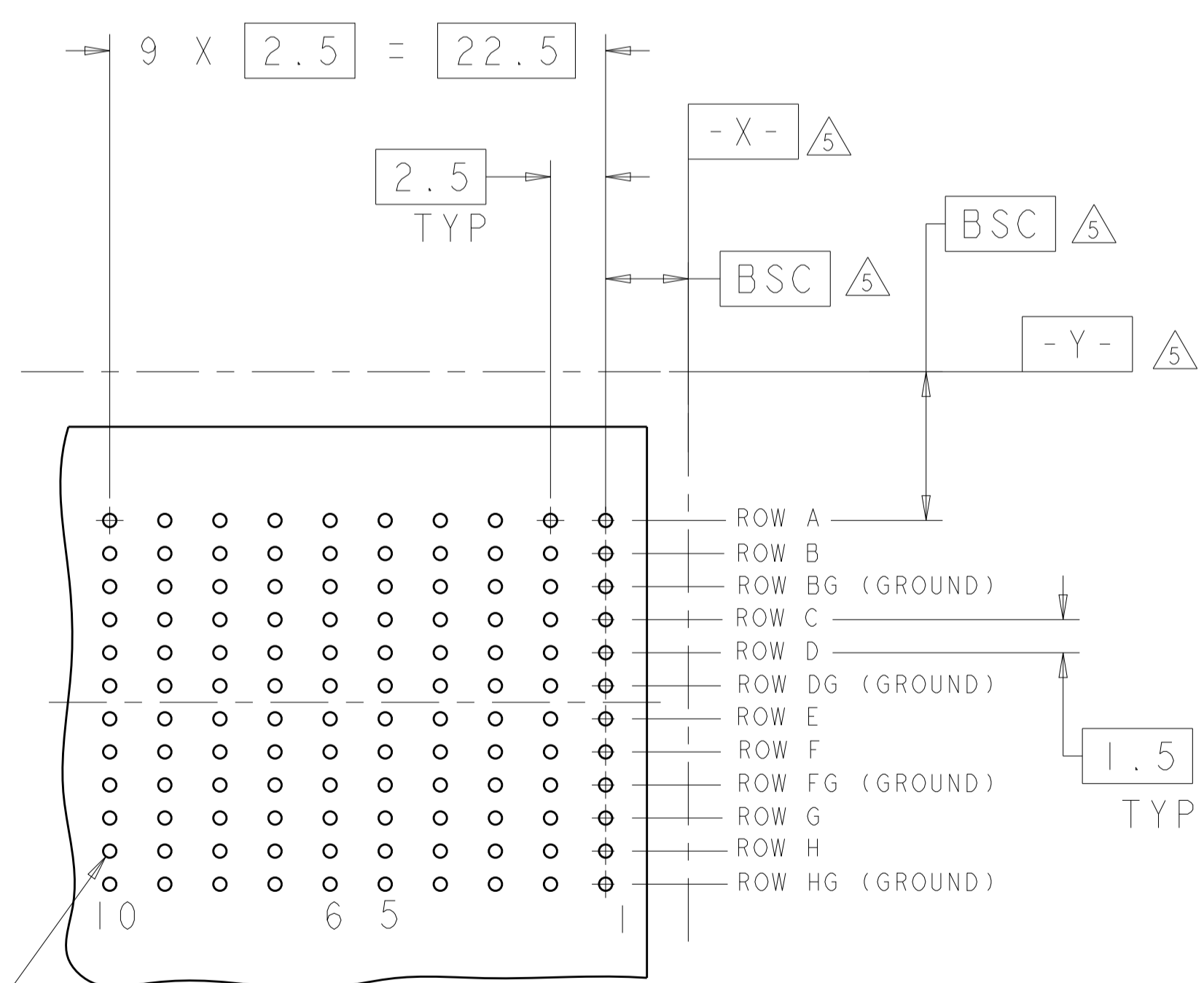
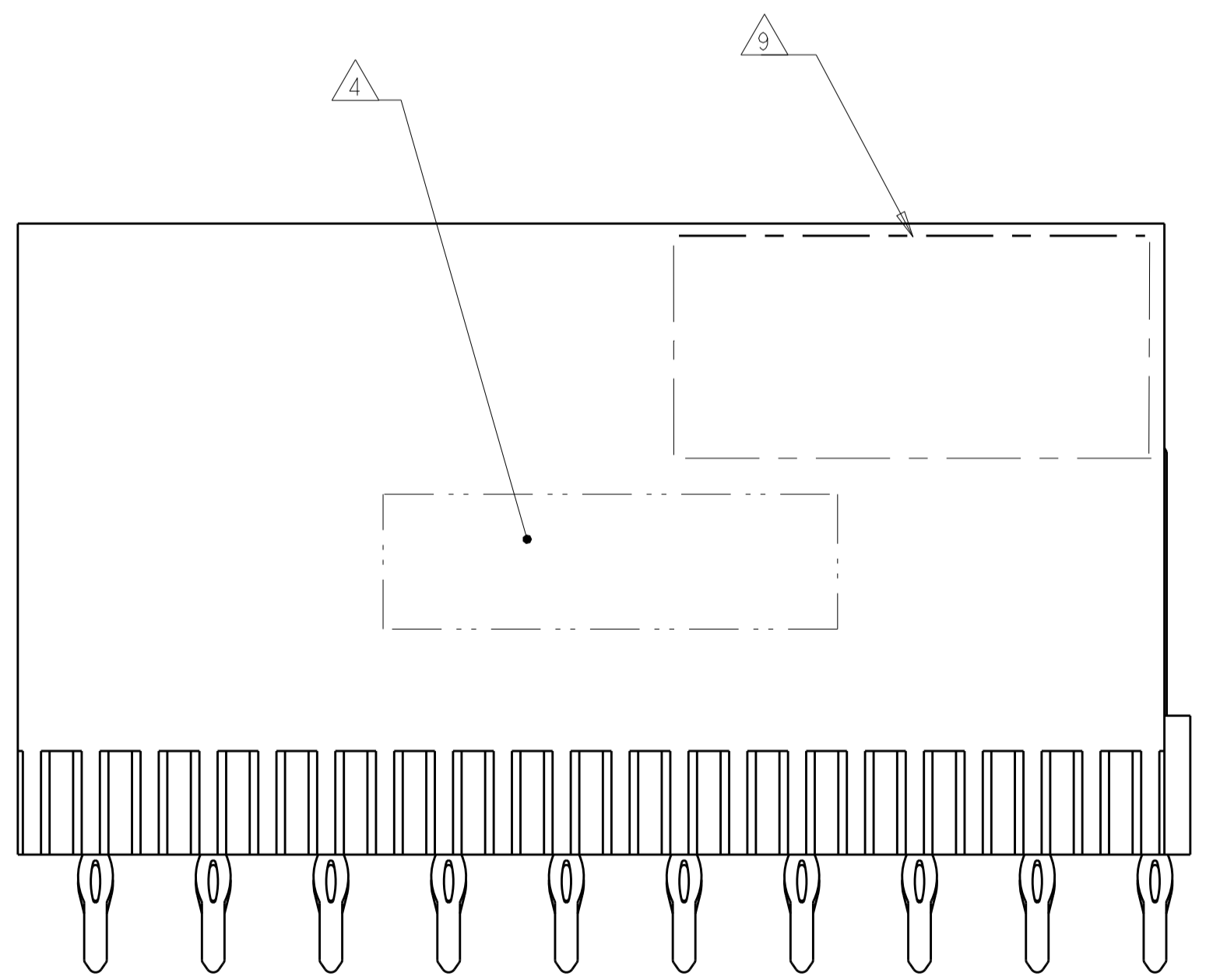
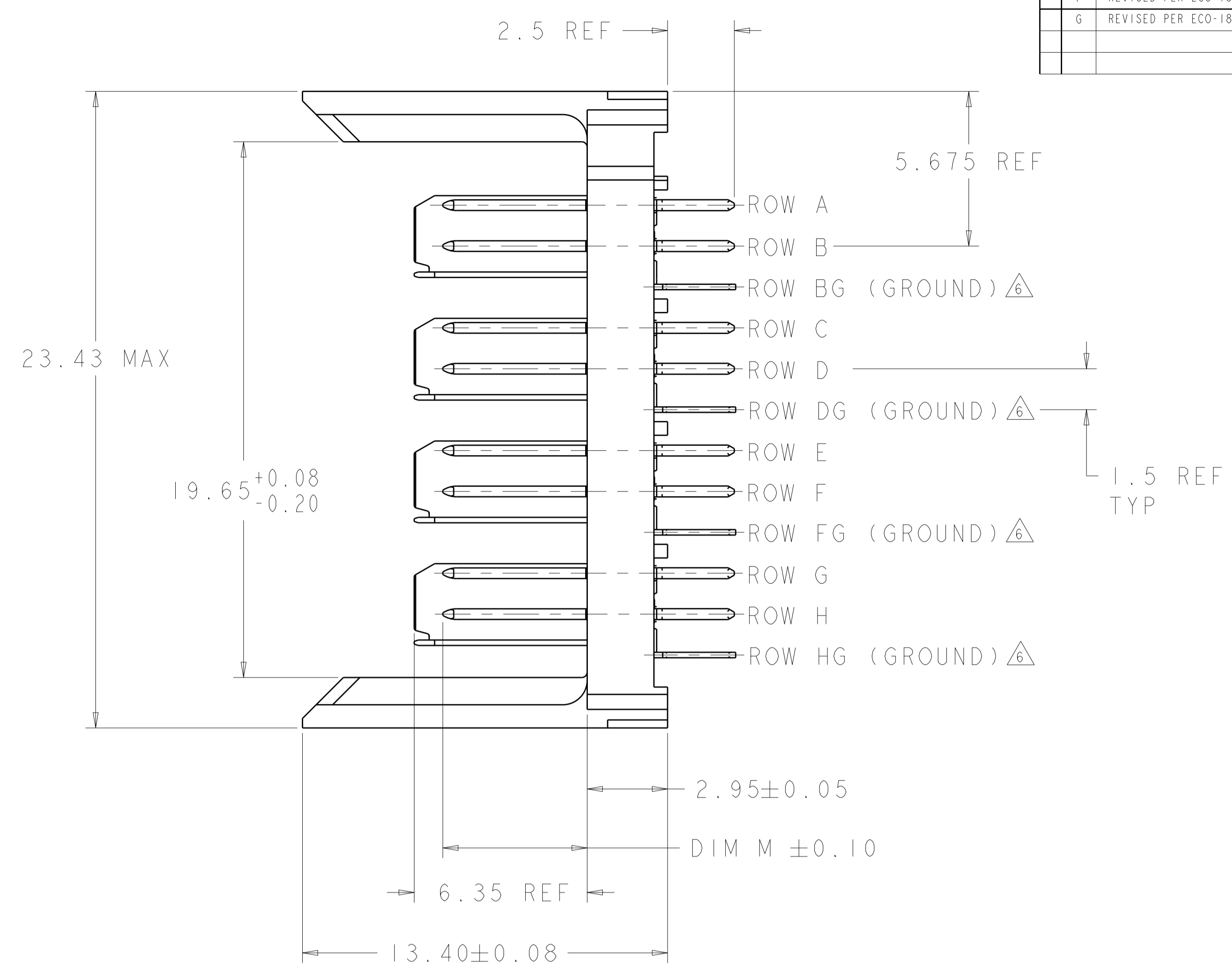
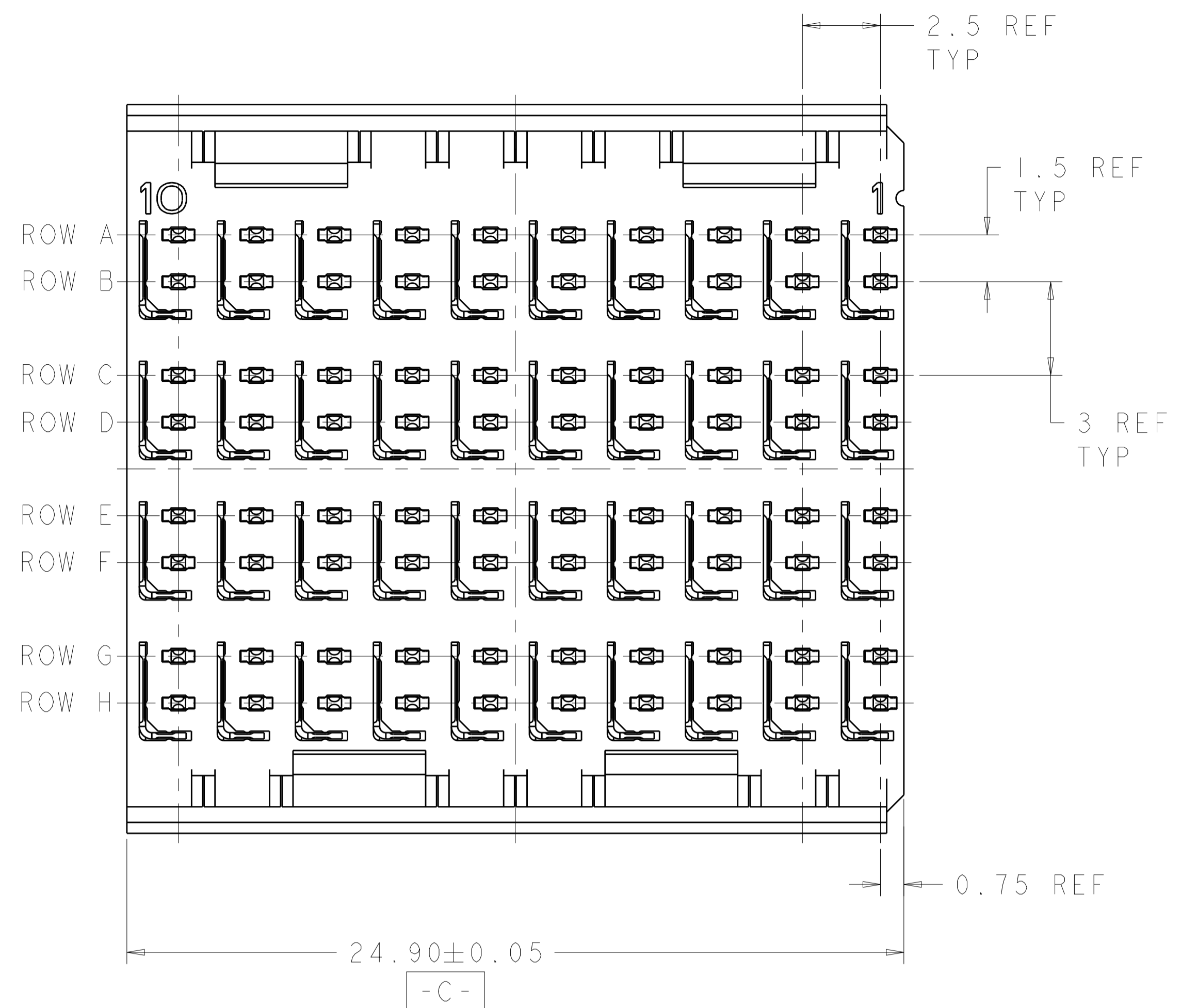


LOC		DIST		REVISIONS			
P	LTN	DESCRIPTION	DATE	DWN	APVD		
F		REVISED PER ECO-15-000706	16JAN2015	AP	RP		
G		REVISED PER ECO-18-018129	23SEP2019	DS	HL		



⌀ 0.05 X Y
 ALL PLATED THRU HOLES

RECOMMENDED PC BOARD LAYOUT, BACKPLANE, COMPONENT SIDE SHOWN
 SCALE 4:1

- 1 REFERENCE APPLICATION SPEC 114-13059 FOR RECOMMENDED PLATED THRU HOLE DIAMETER AND PLATING THICKNESSES.
- 2 MATERIAL:
 CONTACT AND SHIELD - PHOSPHOR BRONZE
 HOUSING - GLASS FILLED POLYESTER, UL 94V-0.
- 3 FINISH: SIGNAL AND GROUND CONTACTS:
 MATING AREA: MEETS THE PERFORMANCE REQUIREMENTS OF PRODUCT SPECIFICATION 108-2055; BASED ON TELCORDIA GR-1217-CORE, APPLICATIONS IN UNCONTROLLED ENVIRONMENTS
 COMPLIANT PIN AREA: 0.5µm MIN BRIGHT TIN-LEAD OVER BASE PLATING
- 4 CONNECTOR MARKED WITH PART NUMBER AND DATE CODE.
- 5 DATUMS AND BASIC DIMENSIONS ESTABLISHED BY CUSTOMER.
- 6 THE FOUR GROUNDS IN EACH COLUMN ARE COMMONED.
- 7. CONTACT AREA LUBRICATED WITH BELLCORE APPROVED LUBRICANT, TECHNICAL REFERENCE: GR-1217-CORE, ISSUE 1, NOVEMBER 1995.
- 8 OBSOLETE
- 9 TE OR TE CONNECTIVITY LOGO IS LOCATED.

3.80	1469002-2
5.30	1469002-1
DIM M	PART NUMBER

THIS DRAWING IS A CONTROLLED DOCUMENT.		DWN: R. KOEGL 15FEB2001	TE Connectivity
DIMENSIONS: mm		CHK: R. PATTERSON 16AUG2007	
TOLERANCES UNLESS OTHERWISE SPECIFIED:		APVD: W. SCHROLL 02MAY01	NAME: HEADER ASSEMBLY, 4 PAIR, 2.5mm TAIL, 23mm HMZd
0 PLC	±	PRODUCT SPEC	SIZE: CAGE CODE: DRAWING NO: A100779C=1469002
1 PLC	±	APPLICATION SPEC	RESTRICTED TO
2 PLC	±	WEIGHT	SCALE: 3:1 SHEET 1 OF 1 REV G
3 PLC	±	Customer Drawing	
4 PLC	±		
ANGLES	±		
FINISH	±		